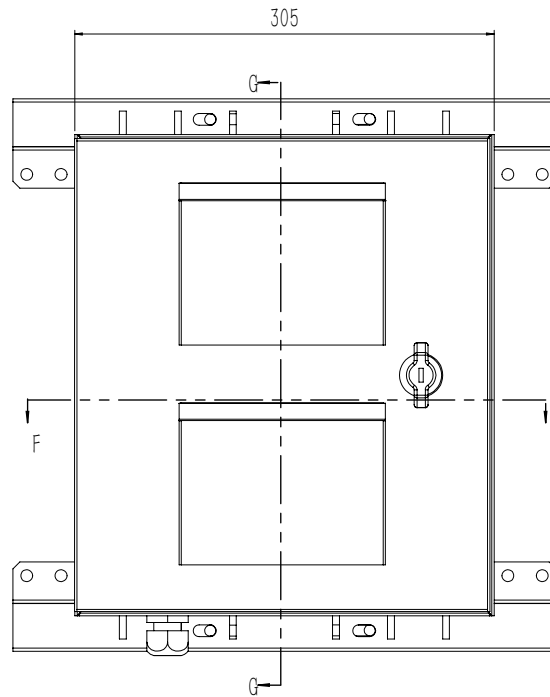
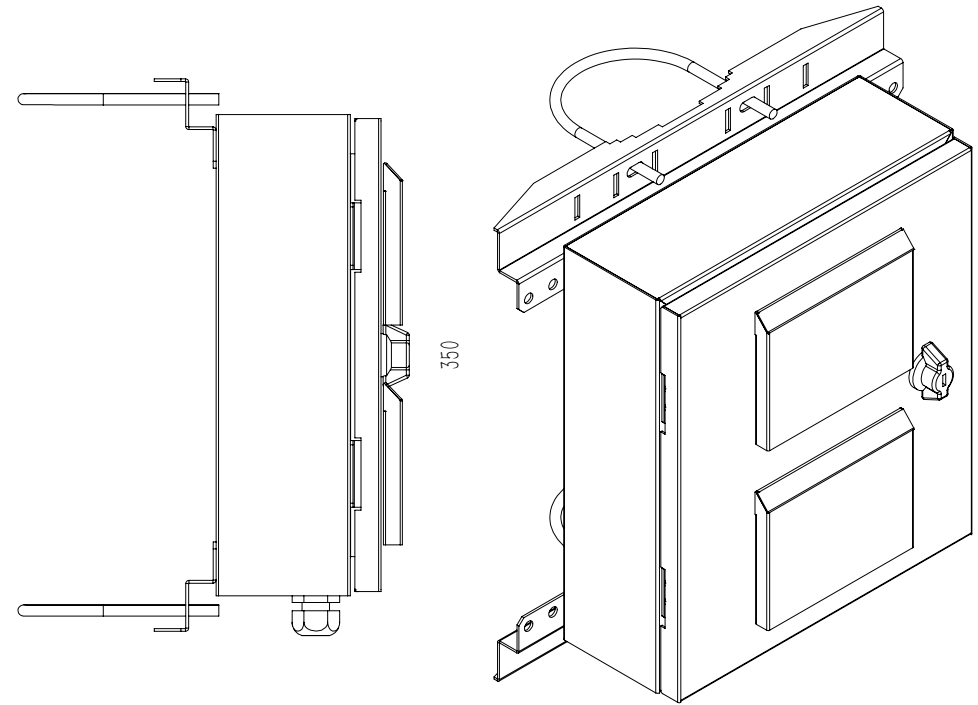
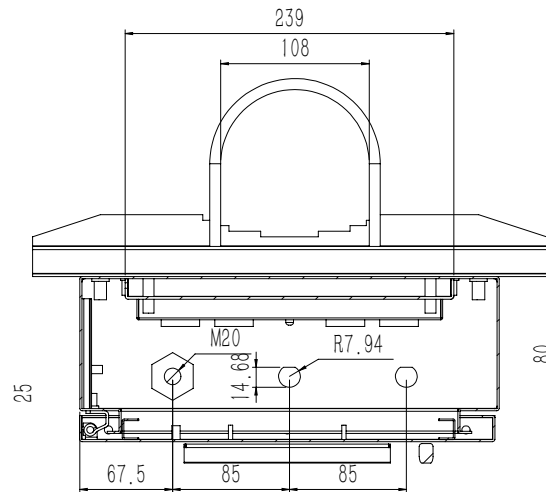


SECTION G-G



SECTION F-F



(Pole mount bracket kits option, need to order separately)

Description

- 14"x12"x 4" industrial NEMA enclosure with cooling fans, IP55 Rated | Grey ,LightSaber Brand
- * Lockable Front door, 1pcs AC110V cooling fan with temperature controller mounted(attached 0.5 meter power cord with US plug)
- * Galvanized steel mounting back panel
- * Quad 120VAC 15A outlets(surge protected,with cable terminals,0.5 meter)
- * Include wall-mount kits.

NOTES:

- 1.INSTALLATION SHALL COMPLY WITH ALL APPLICABLE NATIONAL, STATE AND LOCAL ELECTRICAL REGULATIONS.
- 2.REFER TO PRODUCT DOCUMENTATION FOR ADDITIONAL DETAILS PRIOR TO INSTALLATION AND SITE PREPARATION WORK.
3. ALL DIMENSIONS ARE IN MILLIMETERS [MM].

THIS DRAWING AND SPECIFICATIONS HEREIN ARE THE PROPERTY OF LightSaber AND SHALL NOT BE COPIED, REPRODUCED OR USED IN WHOLE OR IN PART, AS THE BASIS FOR THE MANUFACTURE OR SALE OF ITEMS WITHOUT WRITTEN PERMISSION FROM LightSaber. THIS DRAWING IS BASED UPON LATEST AVAILABLE INFORMATION AND IS SUBJECT TO CHANGE WITHOUT NOTICE.



TITLE: Industrial NEMA Enclosure		DWG NO: LSO-OD-2141204	REV. R0
DRAWN BY: K.Z		2022-01-10	
ENGINEER: P.W		2022-01-10	
PROJECT:	SHEET 1 OF 1	APPROVED BY: T.C	2022-01-10