

Installation Instructions

ALPU Lite
ALPU-L130



800.882.9110 | 208.772.8515 | www.transtector.com

an INFINIT[®] company

Warning

Unit must be properly grounded prior to use. Failure to do so will result in voided warranty and possible equipment damage.

Thank you for your recent purchase of our surge protection solution. Your satisfaction with our product and service is important to us. If you have any questions, comments, or concerns, please contact us at 800.882.9110 or visit our website at www.transtector.com. We look forward to continuing to serve your protection needs.

Installation Instructions

ALPU Lite ALPU-L130

WALL MOUNT INSTALLATION INSTRUCTIONS

1. Cable openings must be oriented towards the ground.
2. Open lid of unit to access wall mount holes (see Figure 1).
3. Use quantity 2 to 4 M3.5 (or #6) fasteners to secure to the desired surface. If using only 2 fasteners, install per the following pairs (1,1), (2,2), or (3,3). (See Figure 2 for fastener configurations).
4. Do not torque fasteners greater than 1 Nm (8.8 in-lbf) $\pm 10\%$.

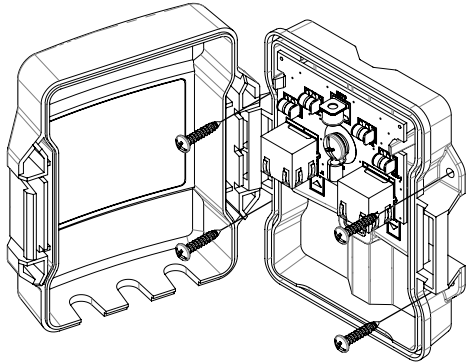


Figure 1 - Wall mount installation

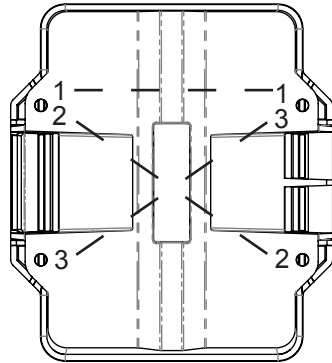


Figure 2 - Fastener configuration

POLE MOUNT INSTALLATION INSTRUCTIONS

1. Cable openings must be oriented towards the ground.
2. Slide hose clamp or tie wrap through two slots on back of unit (see Figure 3).
3. Align channel in unit with pole and secure with hose clamp. Do not over-tighten hose clamp as this may cause damage to plastic bars in hose clamp region of the unit.

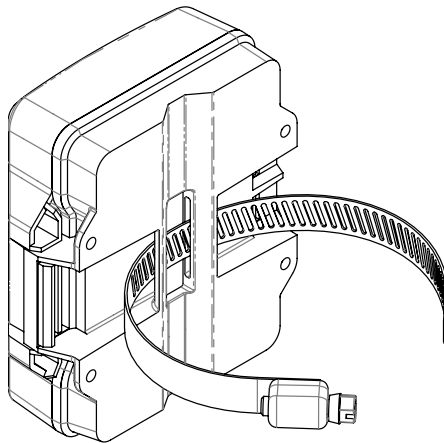


Figure 3 - Pole mount installation

CABLE INSTALLATION INSTRUCTIONS

WARNING! - Ground lug must be secured as indicated below to ensure proper product performance.

1. Secure ground lug with M5 (#10) screw (provided as installed with unit). Torque to 1 Nm (8.8 in-lbf) $\pm 10\%$ (see Figure 4).
2. Verify that each cable is aligned with the opening directly below its respective connection point when closing the lid.
3. Lid should snap closed.

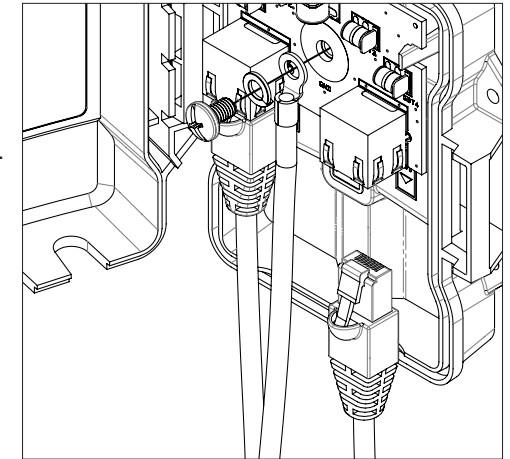


Figure 4 - Cable installation

ICON INFORMATION

1. There are three icons visible when the unit is open (see Figure 5). The icon located in center denotes orientation of the unit.
2. The icon with the up arrow indicates unprotected signal entry, while the icon with down arrow indicates protected signal transmitted out.

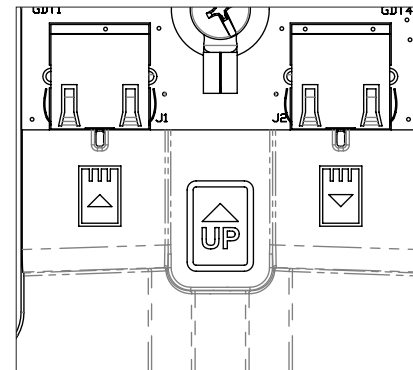


Figure 5 - Icon information