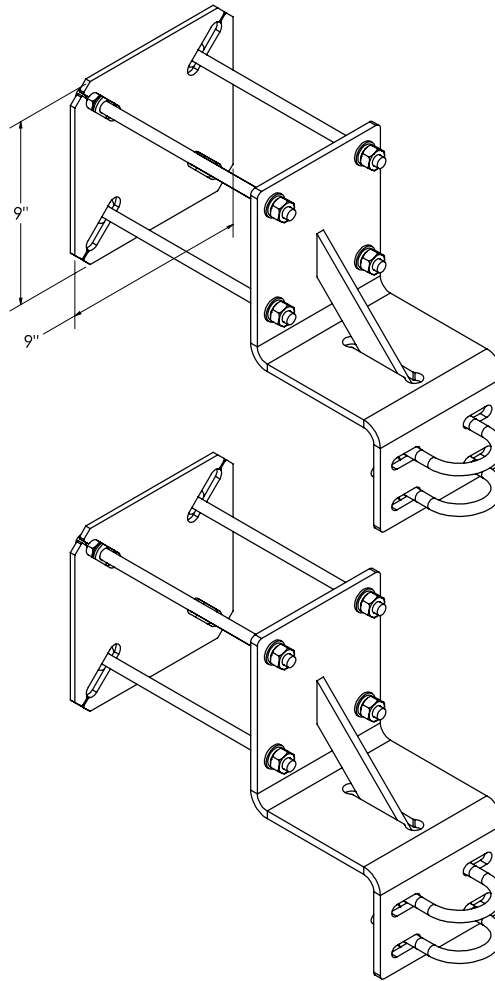
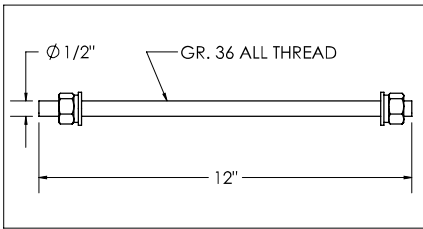
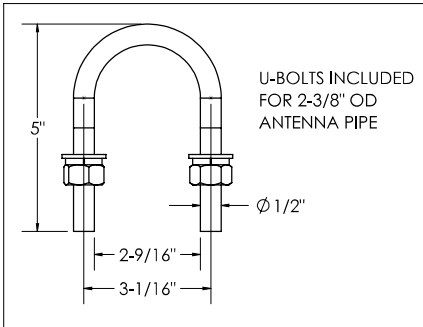


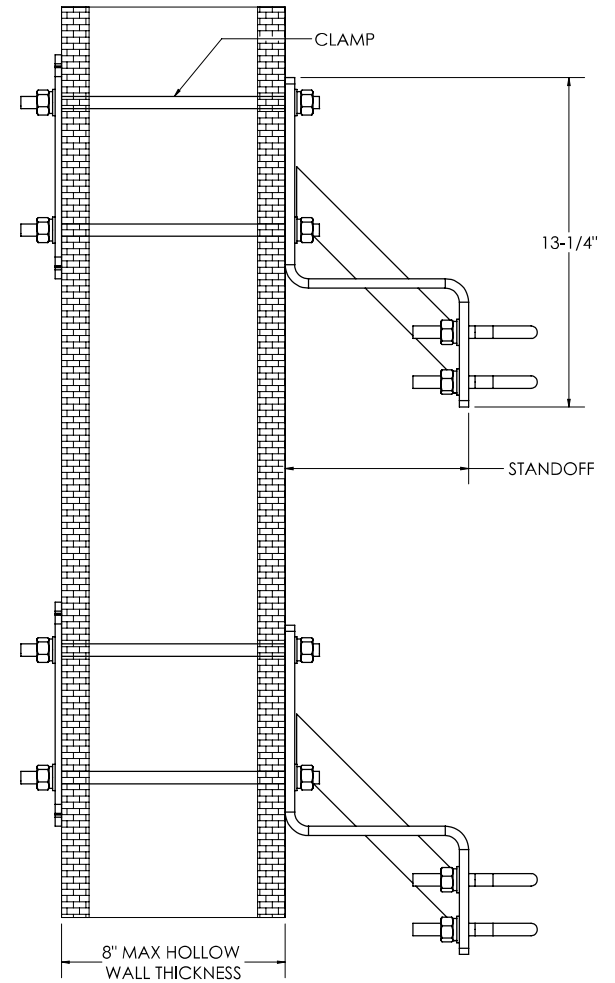
PV-WM##-HW

WALL MOUNT FOR HOLLOW WALLS

PART #	STANDOFF	WEIGHT
PV-WM7-HW	7"	57.4 LBS
PV-WM14-HW	14"	69.8 LBS
PV-WM24-HW	24"	81.5 LBS
PV-WM36-HW	36"	102.7 LBS



PV-WM7-HW SHOWN
WALL MOUNT - ISO VIEW
WEIGHT: SEE TABLE 1



PV-WM7-HW SHOWN
WALL MOUNT - SIDE VIEW

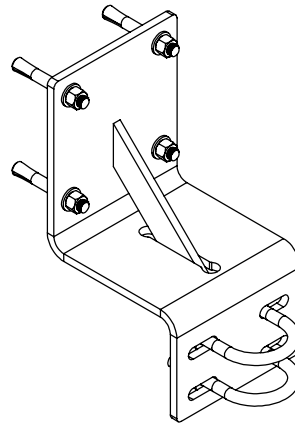
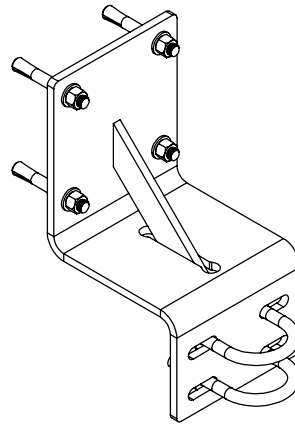
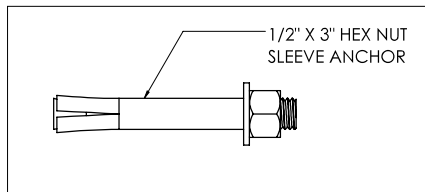
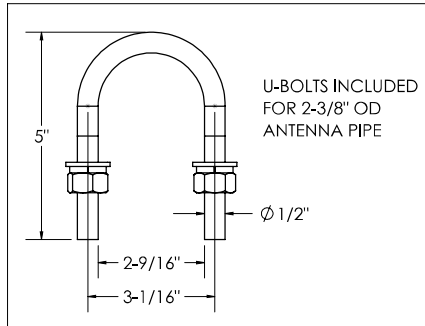
SHEET	3RD ANGLE PROJECTION	CATEGORY	4			PERFECT VISION	
1 OF 2		SERIES	03_Rooftop				
1/13/2020	SCALE 1:8	TYPE	04_Wall Mounts				
DIMENSIONS ARE IN INCHES TOLERANCES U.N.O. HOLES: +1/16", -1/32" ANGULAR: PROFILE ±1/4", BEND ±2° ALL OTHERS: ±1/16"		BY	PV-WM_Wall Mount	2			
		CHECKED	INT	1	PV-WM Configurations Updated	01/08/2020	
		STATUS	DJN	0	INITIAL RELEASE	10/07/2015	
			APPROVED	REV	DESCRIPTION	DATE	
						DOCUMENT NUMBER	REV
						WM-ENG-01-R1	1

C:\PMS\Steel_Cat\0001\SW Working_Flex\Engineering Details

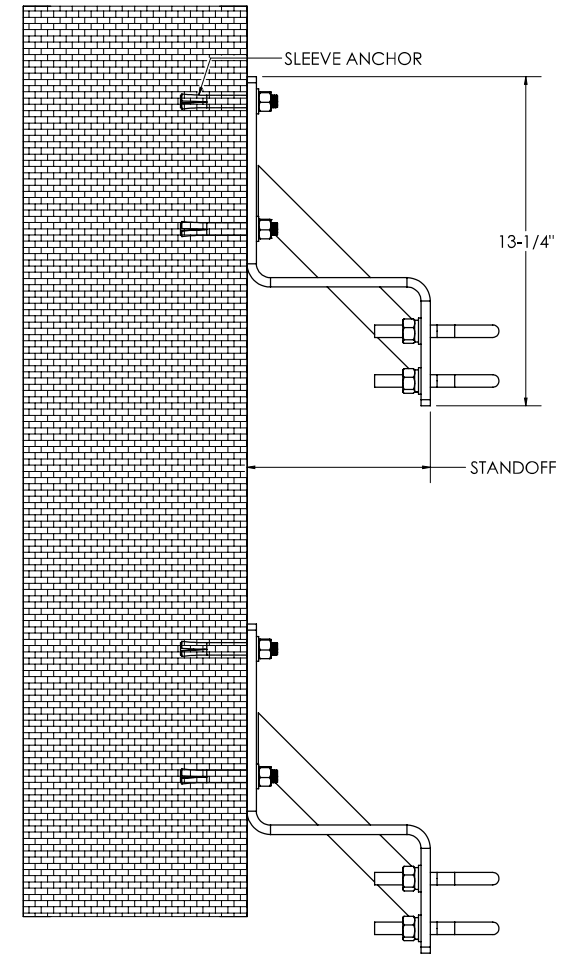
PV-WM##-SW

WALL MOUNT FOR SOLID WALLS

PART #	STANDOFF	WEIGHT
PV-WM7-SW	7"	35.7 LBS
PV-WM14-SW	14"	48.2 LBS
PV-WM24-SW	24"	65.6 LBS
PV-WM36-SW	36"	86.9 LBS



PV-WM7-SW SHOWN
WALL MOUNT - ISO VIEW
WEIGHT: SEE TABLE 1



PV-WM7-SW SHOWN
WALL MOUNT - SIDE VIEW

SHEET	THIRD ANGLE PROJECTION	CATEGORY	REV	DATE	DESCRIPTION
2 OF 2		03_Rooftop	4		
1/13/2020	SCALE 1:1	SERIES 04_Wall Mounts	3		
DIMENSIONS ARE IN INCHES TOLERANCES U.N.O. HOLES: +1/16", -1/32" ANGULAR: PROFILE ±1/4", BEND ±2° ALL OTHERS: ±1/16"		TYPE PV-WM_Wall Mount	2		
		BY INT	1	01/08/2020	PV-WM Configurations Updated
		CHECKED DJN	0	10/07/2015	INITIAL RELEASE
		STATUS APPROVED	REV		

DOCUMENT NUMBER: WM-ENG-01-R1

REV 1

C:\PMS\Steel_Cat\0001\SW Working_Flex\Engineering Details\