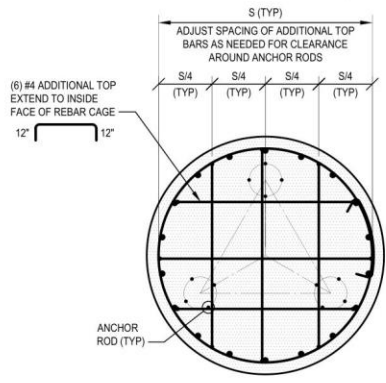
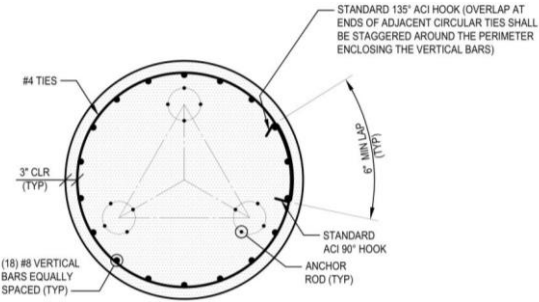


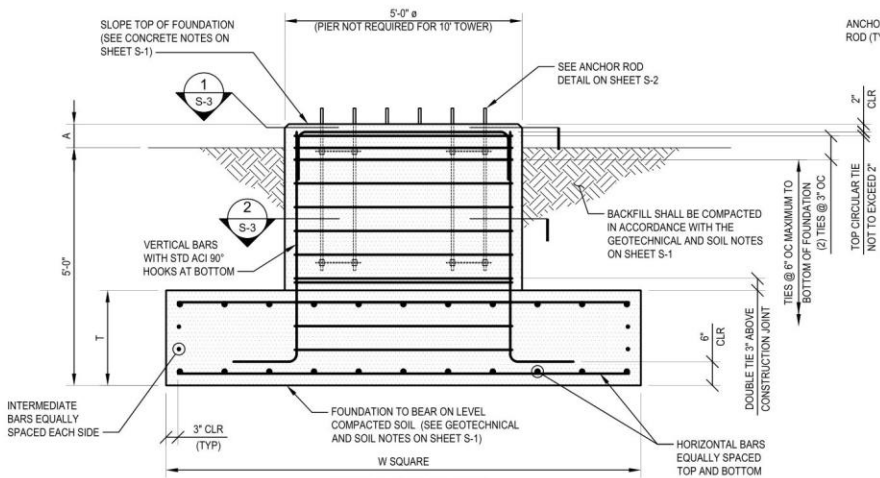
PLAN VIEW



SECTION 1  
S-3



SECTION 2  
S-3



ELEVATION VIEW

		FOUNDATION					
TOWER		PAD THICKNESS, T	PAD WIDTH, W (FT)	HORIZONTAL BARS (QTY) #SIZE	TOTAL CONCRETE VOLUME (CU YDS)	HEIGHT ABOVE GRADE, A	INTERMEDIATE BARS PER SIDE (QTY) #SIZE
STRAIGHT SELF SUPPORT TOWERS	100'	2'-0"	13	(14) #7 (56 TOTAL)	15.1	0'-6"	N/A
	90'	2'-0"	12	(13) #7 (52 TOTAL)	13.2	0'-6"	N/A
	80'	2'-0"	10	(11) #7 (44 TOTAL)	10.0	0'-6"	N/A
	70'	2'-0"	10	(11) #7 (44 TOTAL)	10.0	0'-6"	N/A
	60'	2'-0"	10	(11) #7 (44 TOTAL)	10.0	0'-6"	N/A
	50'	2'-0"	10	(11) #7 (44 TOTAL)	10.0	0'-6"	N/A
	40'	2'-0"	9	(10) #7 (40 TOTAL)	8.5	0'-6"	N/A
	30'	2'-0"	8	(9) #7 (36 TOTAL)	7.3	0'-6"	N/A
	20'	2'-0"	7	(8) #7 (32 TOTAL)	6.2	0'-6"	N/A
	10'	5'-3"	6	(9) #9 (36 TOTAL)	7.0	0'-3"	(7) #4 (28 TOTAL)



P. O. Box 29 Shelby, OH 44875

info@amertower.com

www.amertower.com

Since 1953

Telephone  
(419) 347-1185

Fax  
(419) 347-1654

# 3320 SST FOUNDATION

SIZE A	DWG NO 2893	REV
-----------	----------------	-----

DRAWN BY: TAN	DATE 2/8/2022
------------------	------------------