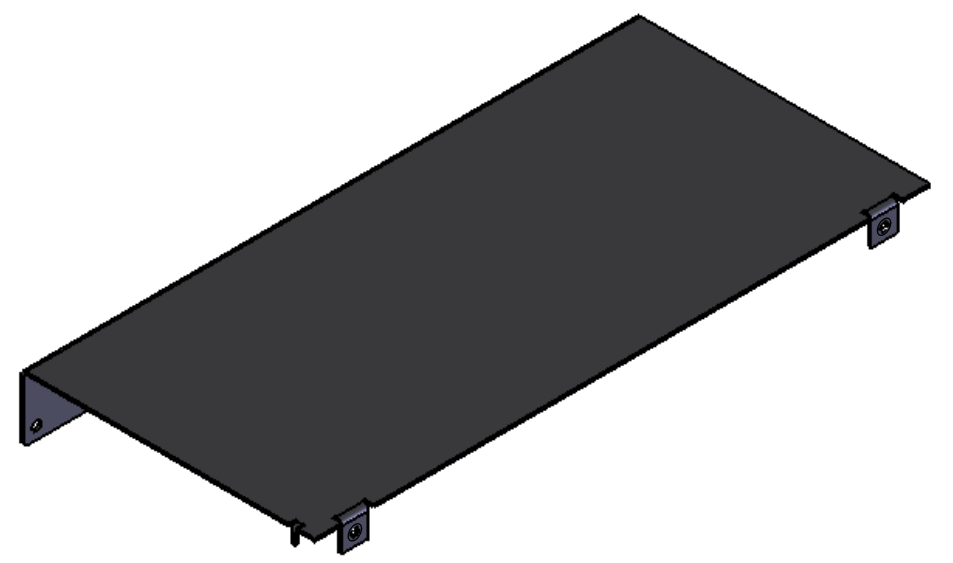


SECTION A-A



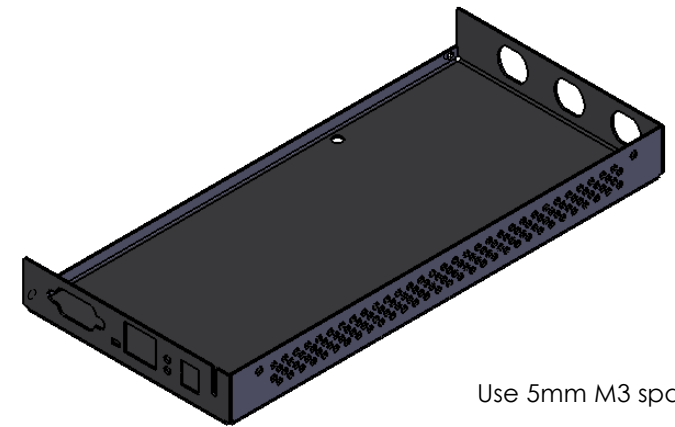
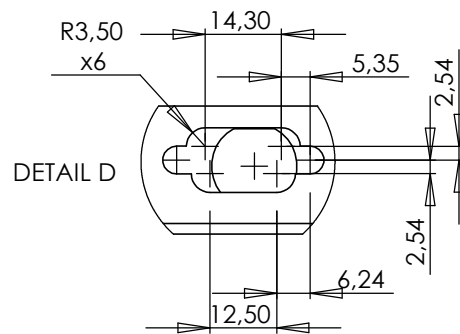
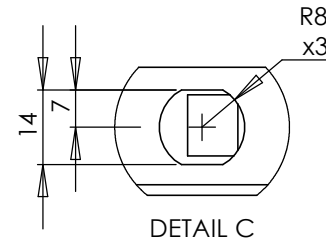
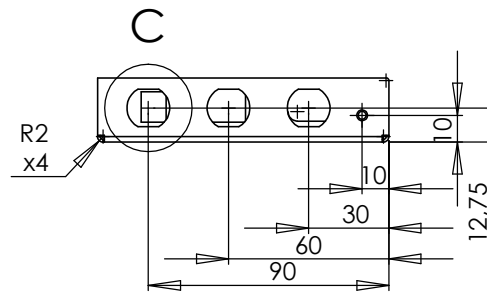
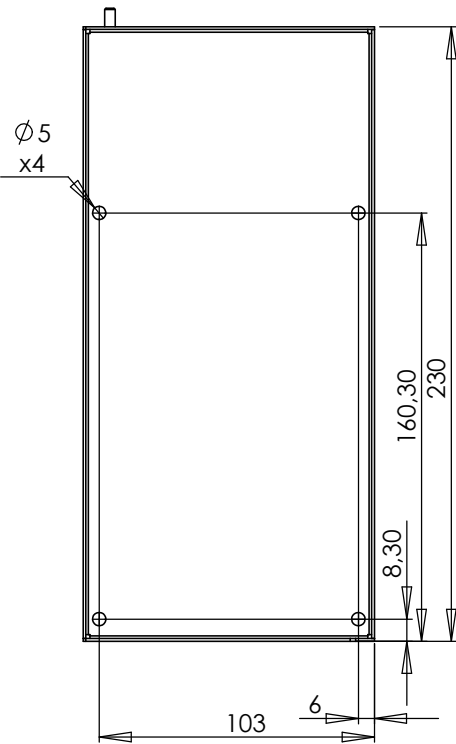
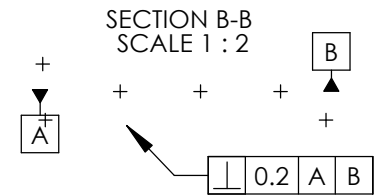
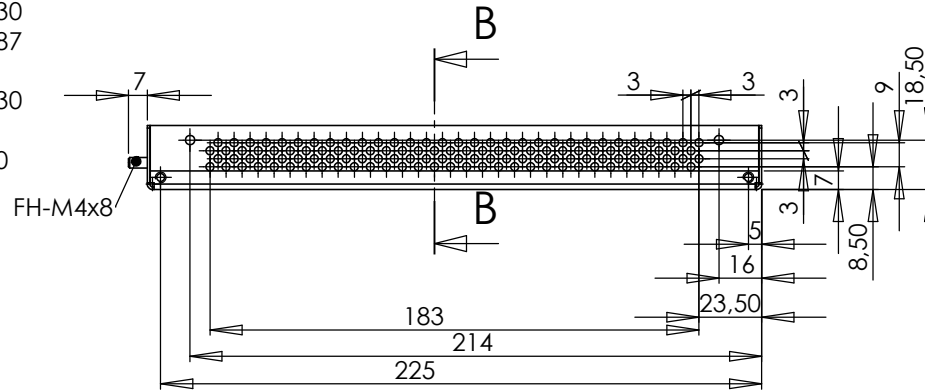
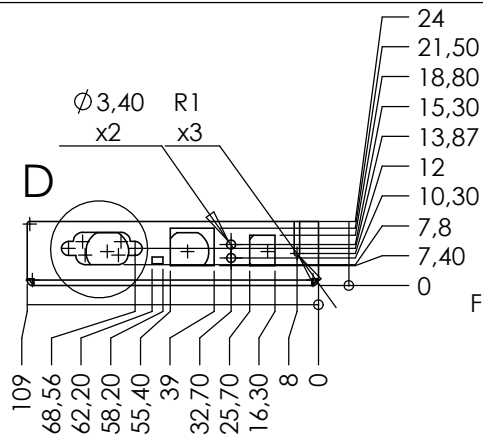
1. Unspecified R ≤ 1
 2. Unspecified tolerances: DIN7168/FINE
 except p.3:

| Tolerance | | |
|-----------|------|------|
| Nominal | | IT12 |
| > | ≤ | |
| 6 | 30 | 0.1 |
| 30 | 120 | 0.3 |
| 120 | 315 | 0.4 |
| 315 | 1000 | 0.6 |
| 1000 | 2000 | 1.0 |

External: -IT12
 Internal: +IT12
 Others: ±IT12/2

3. Hole coordinates with unspecified tolerances
 Hole pattern $\Phi \Phi 0,3$ for all coordinative dim-s;
 countersunks - $\Phi \Phi 0,1$

| | | | | | | |
|----------------------|--|---------|-------------------------------|----------------------|---------------------------------|--|
| Do not scale drawing | | | Finish: Anodizing black | Scale 1:2 | Mass: NN | |
| | | | Date | Name | Material: AlMg3 | |
| | | Drawn. | 29.03.07 | Bergmanis | Description: RB192-case-roof | |
| | | Check. | | | Drawing code: RB-192R | |
| | | Approv. | | | A3 | |
| | | | | Printed: 2007.05.21. | | |
| | | | | sheet 1 of 1 | | |



Use 5mm M3 spacer!

Material thickness 1mm

| | | |
|---|------|------------------------------------|
| 1. Unspecified R | | ≤ 1 |
| 2. Unspecified tolerances: | | |
| except p.3: | | DIN7168/FINE |
| Tolerance | | |
| Nominal | IT12 | |
| > | ≤ | |
| 6 | 30 | 0.1 |
| 30 | 120 | 0.2 |
| 120 | 315 | 0.3 |
| 315 | 1000 | 0.4 |
| 1000 | 2000 | 0.6 |
| 2000 | | 1.0 |
| External: | | -IT12 |
| Internal: | | +IT12 |
| Others: | | ±IT12/2 |
| 3. Hole coordinates with unspecified tolerances | | |
| Hole pattern | | ⌀ ⌀0,3 for all coordinative dim-s; |
| countersunks - | | ⌀ ⌀0,1 |

Do not scale drawing



Finish: anodizing, black

Scale 1:1

Mass: 109 gr.

Material: AIMg3

| | |
|----------|-----------|
| Date | Name |
| 06.02.08 | Bergmanis |
| Drawn: | |
| Check: | |
| Approv: | |

Description:
RB493 Indoor case (base)

Drawing code:
RB493-04-R1

A3



Printed: 2008.02.06.