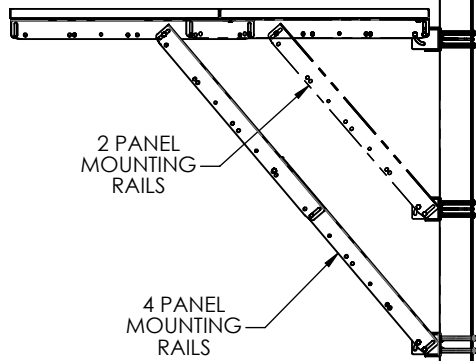


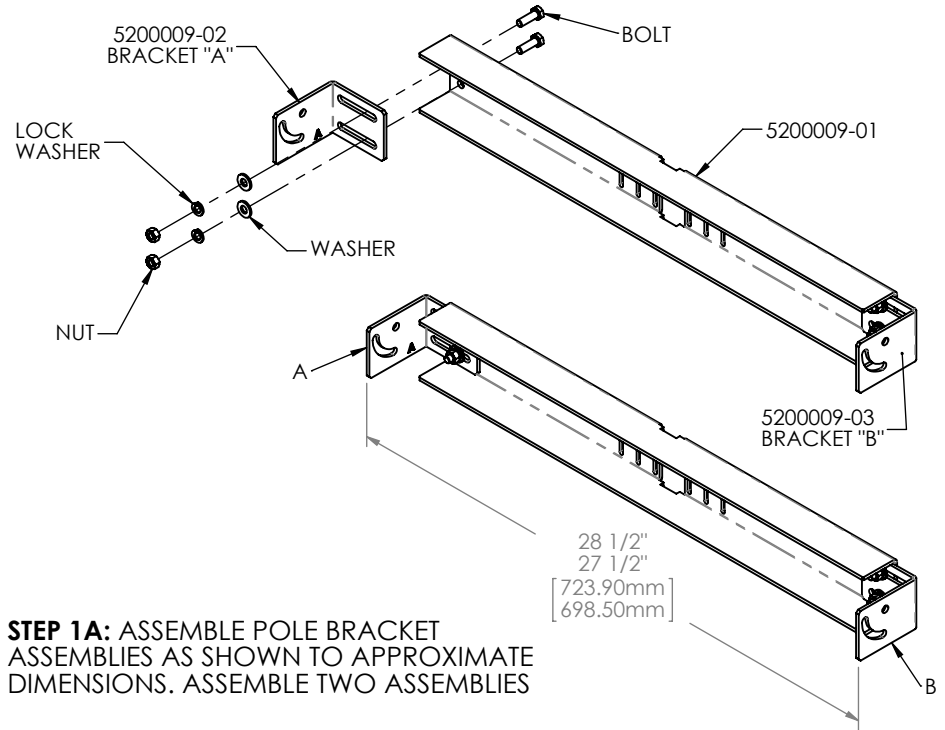
**STEP 5:** ADJUST ANGLE OF SOLAR PANEL BY MOVING LOWER POLE BRACKET ASSEMBLY TOWARD THE GROUND AS SHOWN.



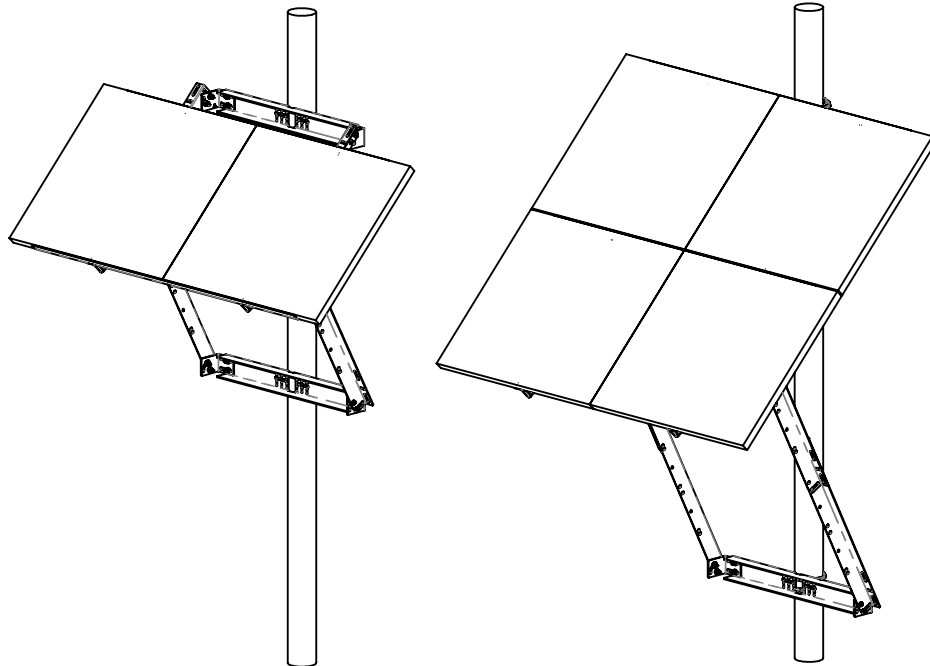
2 PANEL MOUNTING RAILS  
4 PANEL MOUNTING RAILS

FOUR PANEL MOUNTING REQUIRES EXTENDED MOUNTING RAILS AS SHOWN IN STEP 2B

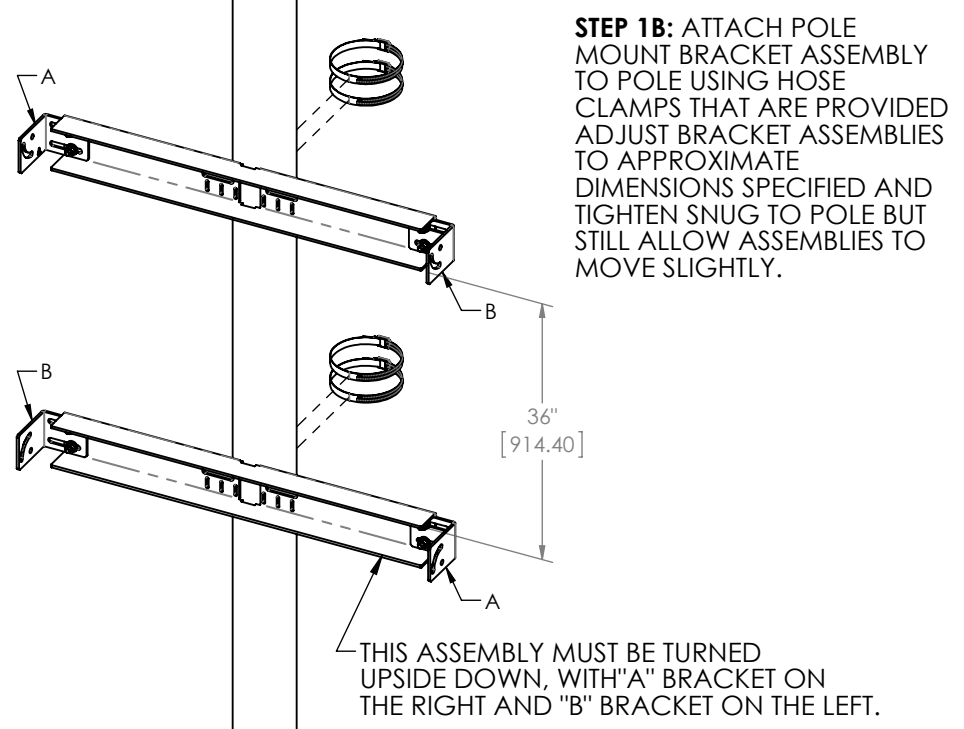
Optimum Winter Tilt Angles	
Houston / Cairo	56 deg
Albuquerque / Tokyo	60.5 deg
Denver / Madrid	65 deg
Minneapolis / Milano	69.5 deg
Winnipeg / Prague	74 deg



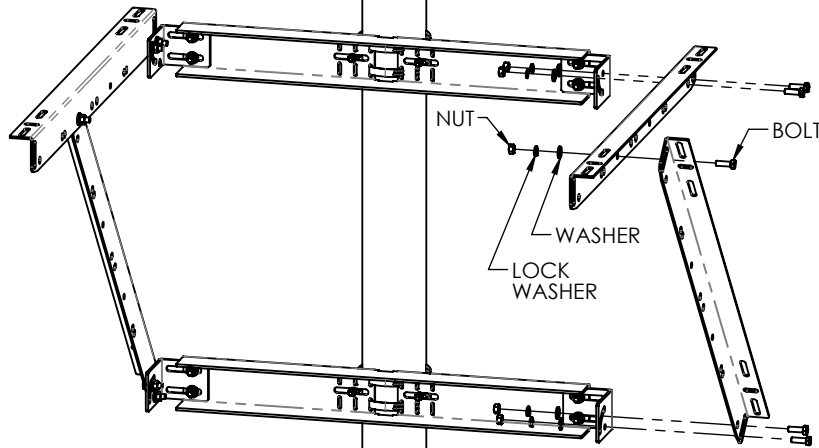
**STEP 1A:** ASSEMBLE POLE BRACKET ASSEMBLIES AS SHOWN TO APPROXIMATE DIMENSIONS. ASSEMBLE TWO ASSEMBLIES



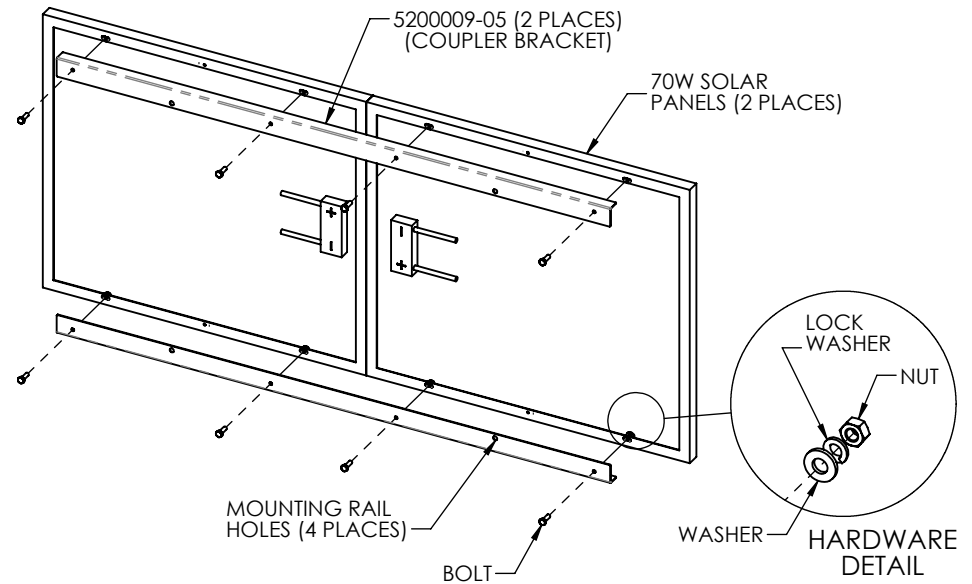
**STEP 6:** WHEN THE SOLAR PANEL ASSEMBLY IS POSITIONED AND TILT ANGLE IS SET PROPERLY THEN TIGHTEN ALL NUTS AND BOLTS SECURELY.



**STEP 1B:** ATTACH POLE MOUNT BRACKET ASSEMBLY TO POLE USING HOSE CLAMPS THAT ARE PROVIDED ADJUST BRACKET ASSEMBLIES TO APPROXIMATE DIMENSIONS SPECIFIED AND TIGHTEN SNUG TO POLE BUT STILL ALLOW ASSEMBLIES TO MOVE SLIGHTLY.



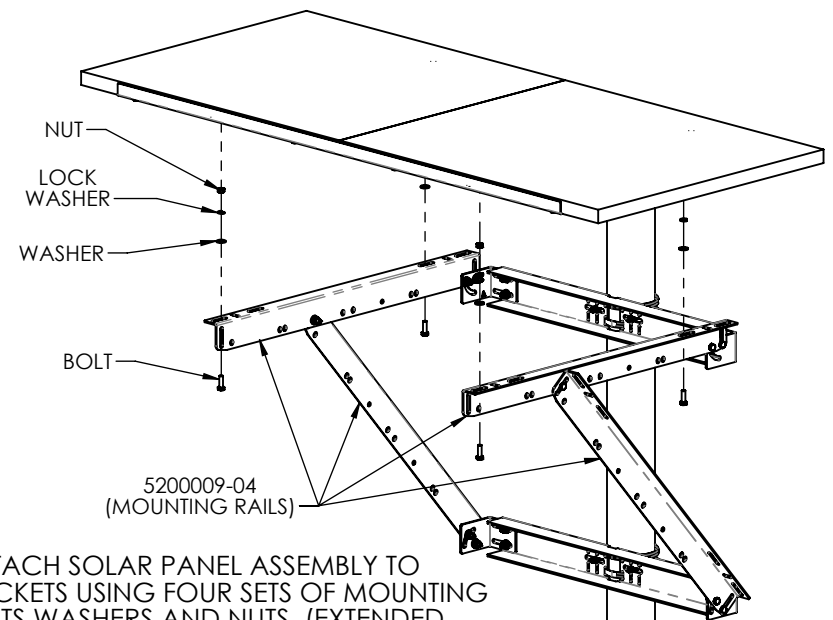
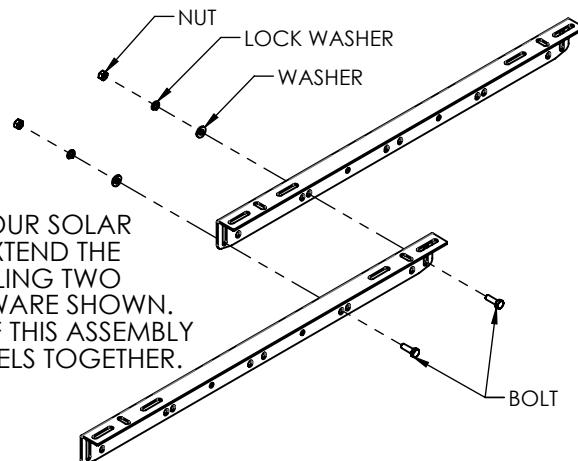
**STEP 2A:** ASSEMBLE MOUNTING RAIL SYSTEM AS SHOWN IN THE 90° POSITION USING 10 SETS OF BOLTS, WASHERS, LOCK WASHERS AND NUTS.



**STEP 3:** WHEN INSTALLING TWO SOLAR PANELS TOGETHER YOU MUST USE THE COUPLER BRACKETS ON EACH SIDE AND USE 8 SETS OF BOLTS, WASHERS, LOCK WASHERS AND NUTS. YOU WILL NEED TO MAKE TWO SETS OF THESE ASSEMBLIES WHEN MOUNTING FOUR SOLAR PANELS TO THE RAIL SYSTEM.



**STEP 2B:** WHEN MOUNTING FOUR SOLAR PANELS YOU WILL NEED TO EXTEND THE MOUNTING RAILS BY ASSEMBLING TWO RAILS TOGETHER WITH HARDWARE SHOWN. YOU WILL NEED FOUR SETS OF THIS ASSEMBLY TO MOUNT FOUR SOLAR PANELS TOGETHER.



**STEP 4:** ATTACH SOLAR PANEL ASSEMBLY TO POLE BRACKETS USING FOUR SETS OF MOUNTING RAILS, BOLTS, WASHERS AND NUTS. (EXTENDED MOUNTING RAILS DETAILED IN STEP 2B ARE NEEDED WHEN MOUNTING FOUR SOLAR PANELS)