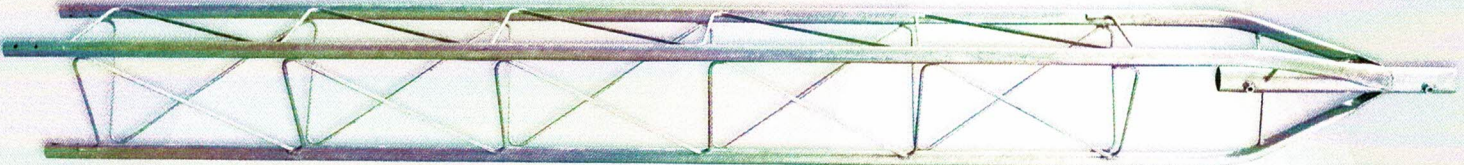


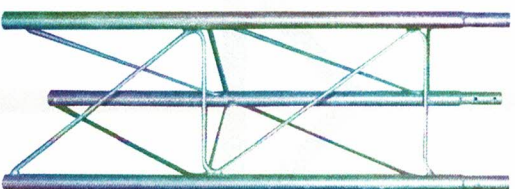
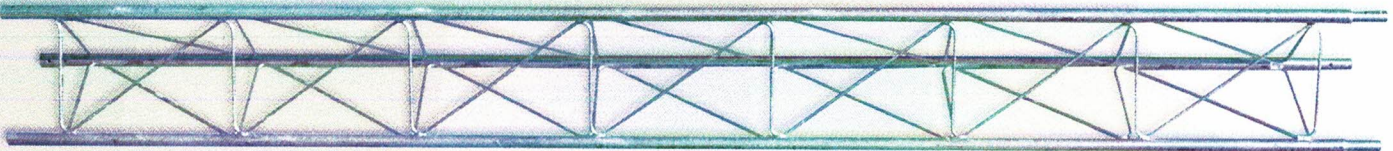
Amerite 25 Tower

Tower Section & Accessories

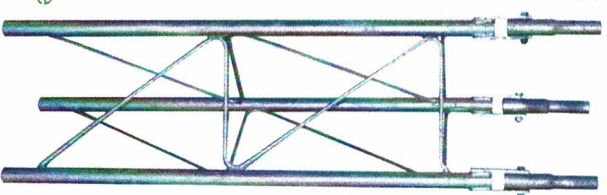
AME-25-T
9' Top Section



AME-25
10' Mid Section



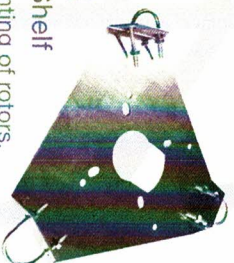
AME-25-B3
3'4" Base



AME-25-BT
3'4" Tilt Base
*tower must be bracketed

AME-25-AS
Accessory Shelf

- Ideal for mounting of rotors, equipment, controls, etc.
- Pre-drilled for most rotor sizes and models



AME-25-BGR
Ground Plate

*tower must be bracketed



AME-25-BH

Hinged Ground Plate
*tower must be bracketed



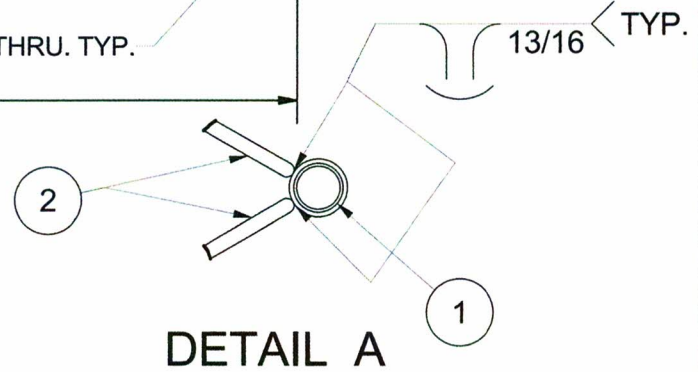
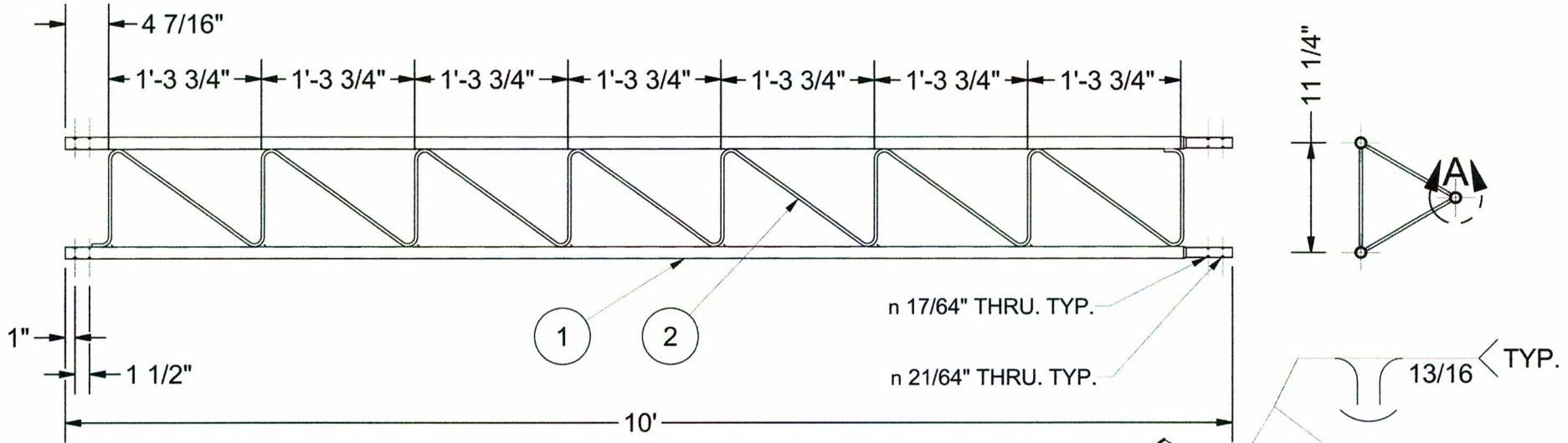
DA-18 Bracket

House Bracket Adjustable
from 11" to 16"

- Ideal for mounting tower next to house or building.
- U-bolts to tower.



The American Tower Company • www.amertower.com



DETAIL A

AMERICAN TOWER COMPANY
 ISO 9001-2000
 P.O. Box 29 Shelby, Ohio 44875
 info@amertower.com
 www.amertower.com
 Telephone (419) 347-1185 Fax (419) 347-1654
 Since 1953

TITLE
AMERITE 25 MID-SECTION

ITEM	QTY	PART NUMBER	DESCRIPTION
2	3	1157	BENT STIFFENER
1	3	1174	TOWER LEG

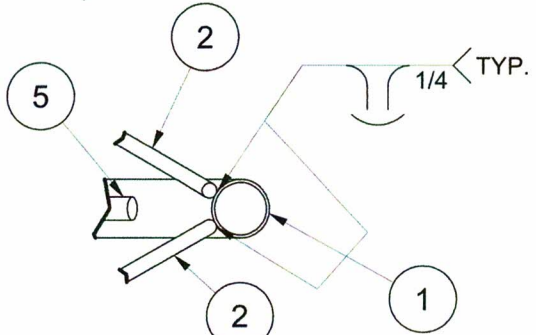
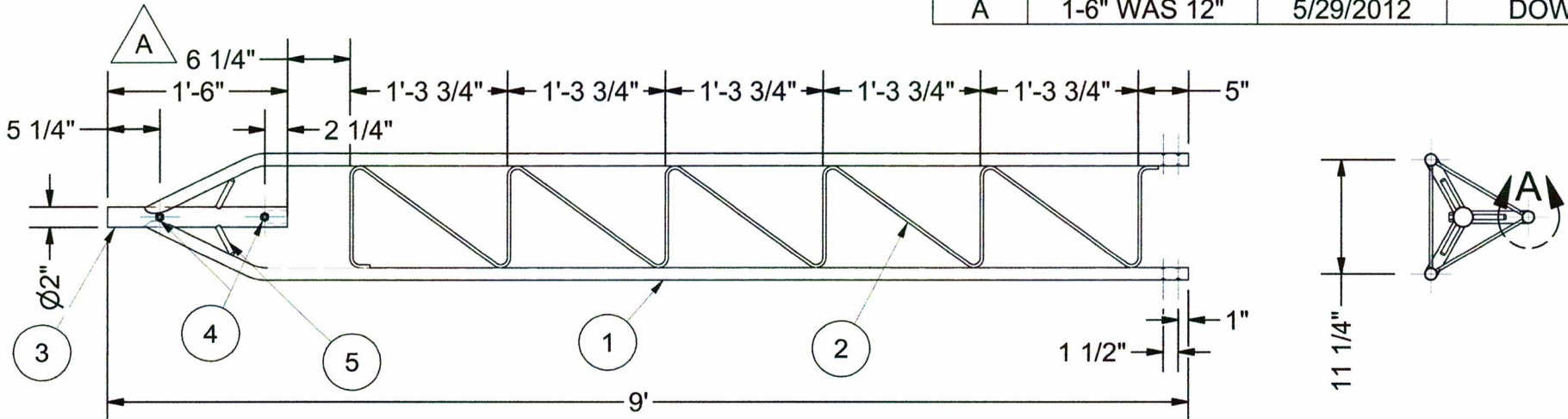
Parts List

SIZE	DWG NO	REV
A	1177	
DRAWN BY: DOW		DATE 4/7/2004





REVISION HISTORY			
REV	DESCRIPTION	DATE	APPROVED
A	1-6" WAS 12"	5/29/2012	DOW



DETAIL A

THIS DRAWING IS THE CONFIDENTIAL PROPERTY OF AMERICAN TOWER AND TRANSMITTED IN CONFIDENCE. THE REPRODUCTION, USE OR DISCLOSURE, IN WHOLE OR IN PART, OF THE DESIGN OR DETAILS CONTAINED HEREIN IS PROHIBITED WITHOUT THE WRITTEN PERMISSION OF AMERICAN TOWER.

AMERICAN TOWER COMPANY
 ISO 9001-2000
 P.O. Box 29 Shelby, Ohio 44875
 info@amertower.com
 www.amertower.com
 Telephone (419) 347-1185 Fax (419) 347-1654
 Since 1953

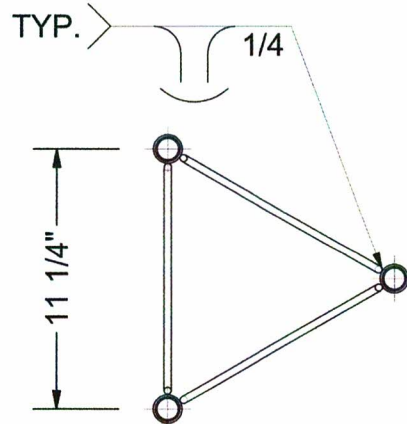
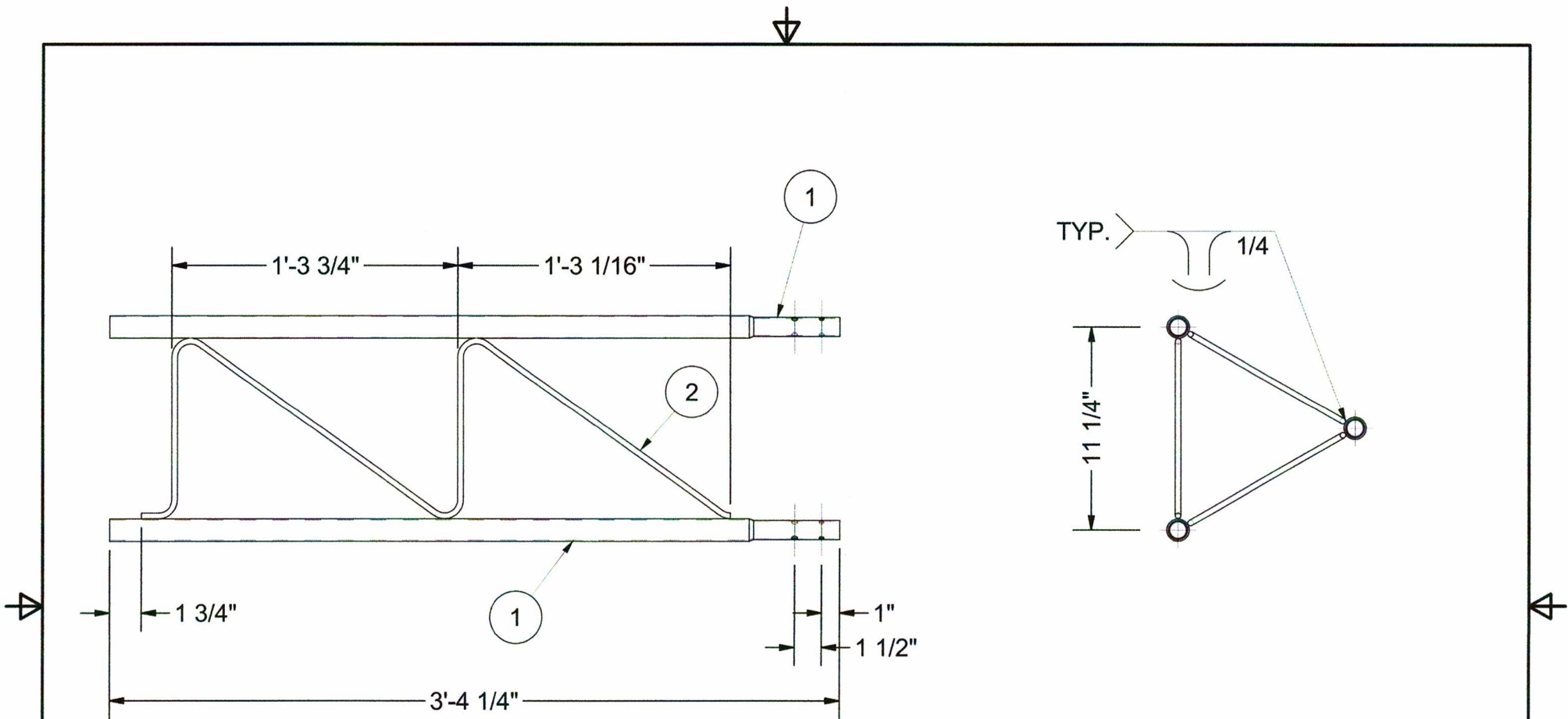
TITLE
AMERITE 25 TRB TOP SECTION

SIZE A	DWG NO 1178	REV A
DRAWN BY: DOW		DATE 4/9/2004

ITEM	QTY	PART NUMBER	DESCRIPTION
5	3		STIFFENER
4	2		Hex Nut
3	1	1172	CENTER TUBE
2	3	1161	BENT STIFFENER
1	3	1178	TOWER LEG

Parts List





2	3	1157	BENT STIFFENER
1	3	1222	TOWER LEG
ITEM	QTY	PART NUMBER	DESCRIPTION

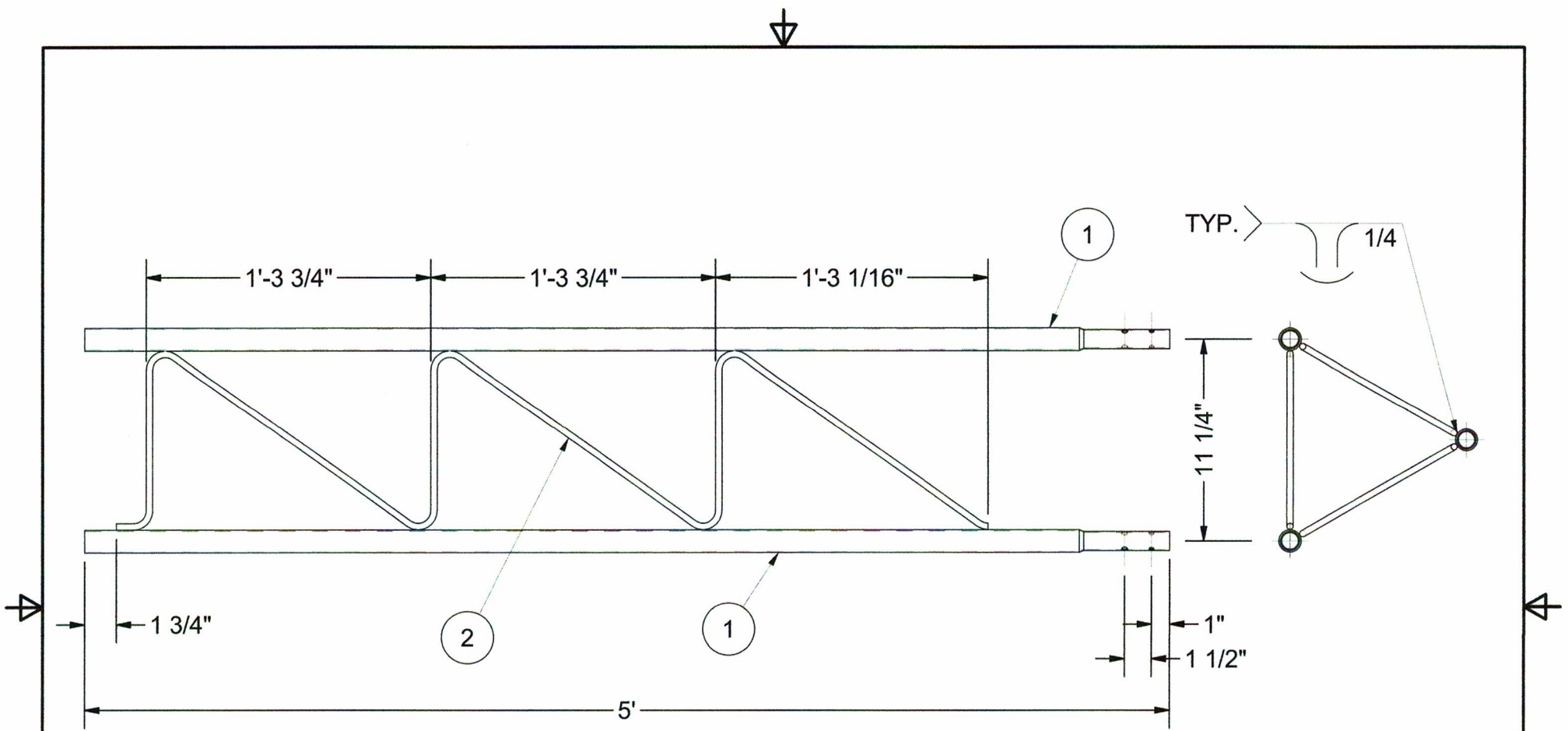
Parts List

AMERICAN TOWER COMPANY
 ISO 9001-2000
 P.O. Box 29 Shelby, Ohio 44875
 info@amertower.com
 www.amertower.com

Telephone (419) 347-1185 Fax (419) 347-1654
 Since 1953

TITLE
AMERITE 25 3'-4 BASE

SIZE A	DWG NO 1223	SHT. # 1
DRAWN BY: DOW		DATE 11/14/2004



AMERICAN TOWER COMPANY
 ISO 9001-2000
 P.O. Box 29 Shelby, Ohio 44875
 info@amertower.com
 www.amertower.com
 Telephone (419) 347-1185 Fax (419) 347-1654
 Since 1953

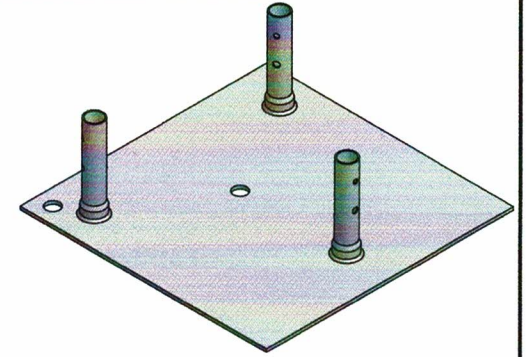
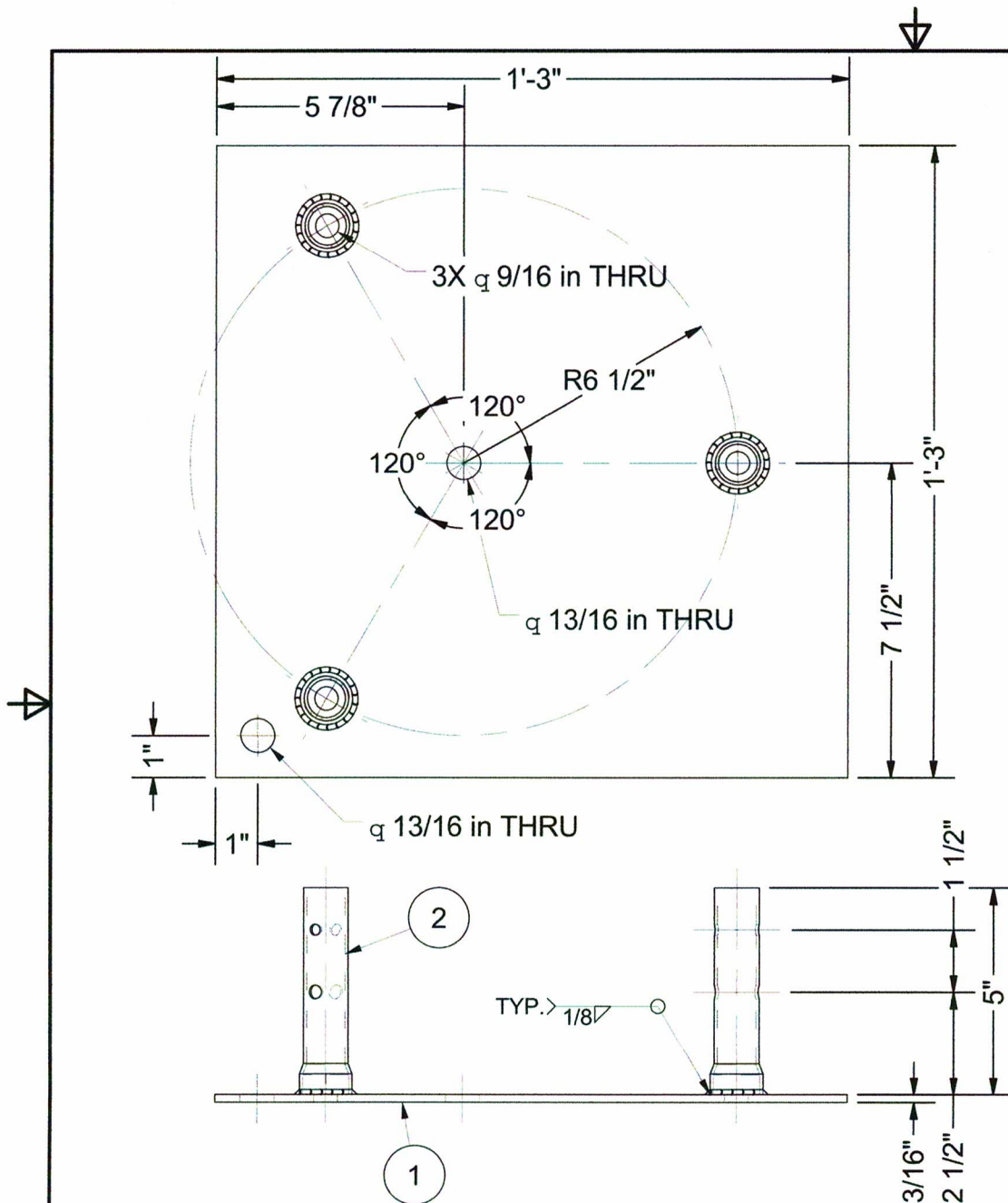
TITLE
AMERITE 25 5'-0 BASE

SIZE	DWG NO	SHT. #
A	1236	1

DRAWN BY:	DATE
DOW	12/1/2004

ITEM	QTY	PART NUMBER	DESCRIPTION
1	3	1235	TOWER LEG
2	3	1157	BENT STIFFENER

Parts List



NOTE:

1. FOR USE WITH GUYED AND BRACKETED TOWERS ONLY

2. IT SHALL BE THE CUSTOMER'S OR INSTALLER'S RESPONSIBILITY TO PROVIDE STRUCTURALLY ADEQUATE SUPPORTS FOR PIER & ANCHOR CONNECTIONS. IT MAY ALSO BE NECESSARY FOR THE CUSTOMER/INSTALLER TO DETERMINE THAT INSTALLATION COMPLIES WITH LOCAL CODES.

TEMPORARY STEEL GUYING IS NECESSARY DURING INSTALLATION AND DISMANTLING

AMERICAN TOWER COMPANY

ISO 9001-2000

P.O. Box 29 Shelby, Ohio 44875

info@amertower.com

www.amertower.com

Fax

Telephone
(419) 347-1185

Since 1953

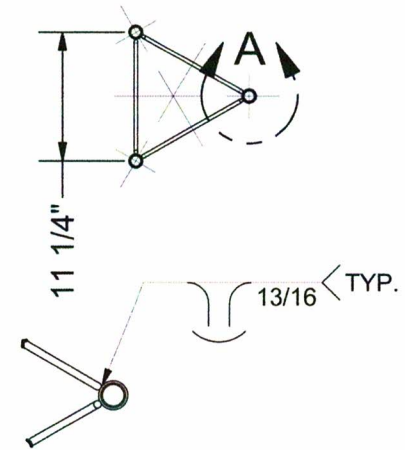
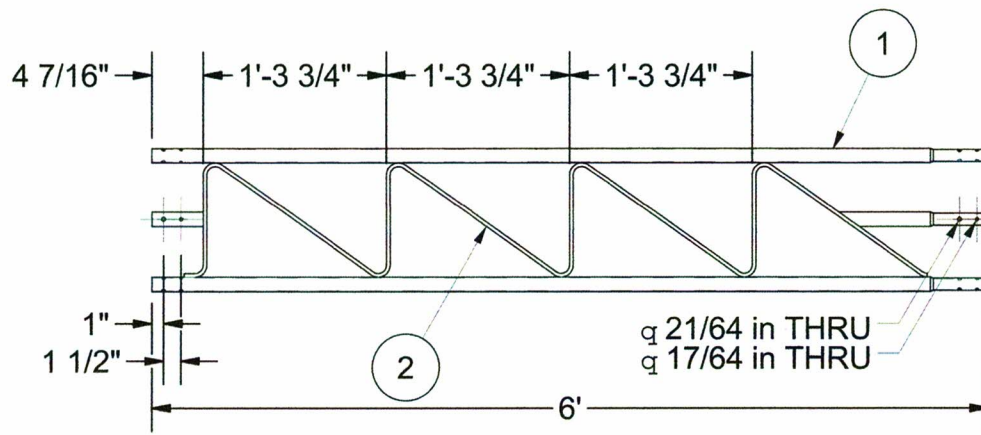
(419) 347-1654

TITLE

AMERITE 25 CONCRETE BASE PLATE WELDMENT

2	3	1254	AMERITE 25 5" STUB LEG
1	1	1255	BASE PLATE CONCRETE FOR AMERITE 25
ITEM	QTY	PART NUMBER	DESCRIPTION
Parts List			

SIZE	DWG NO	SHT. #
A	1256	1
DRAWN BY:	DATE	
DOW	3/12/2005	



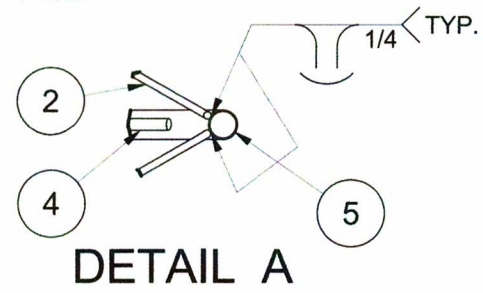
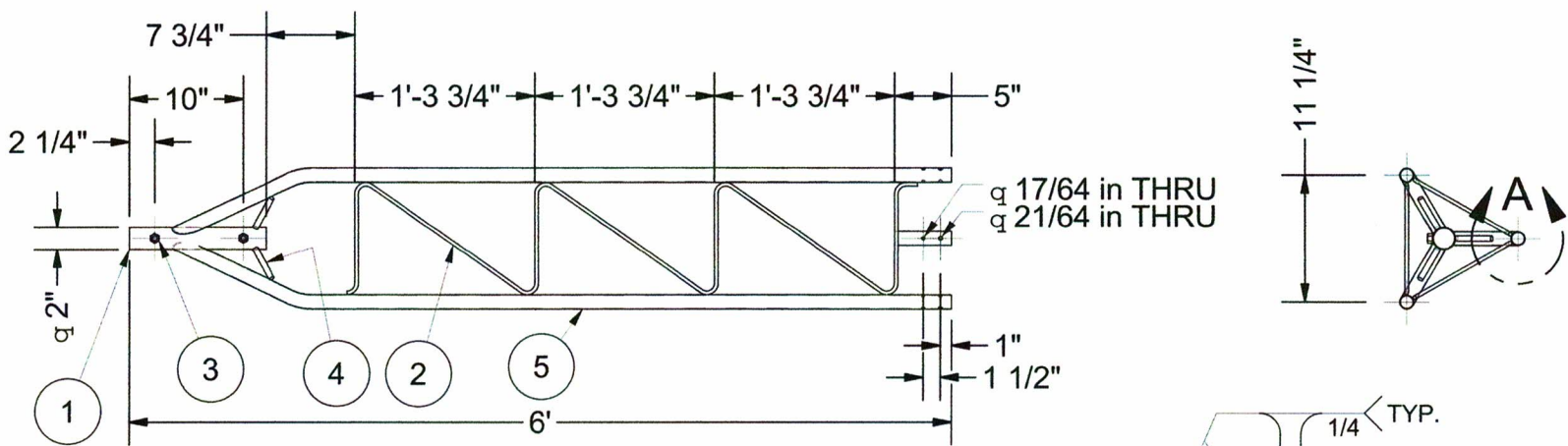
DETAIL A

AMERICAN TOWER COMPANY
 ISO 9001-2000
 P.O. Box 29 Shelby, Ohio 44875
 Telephone (419) 347-1185 info@amertower.com www.amertower.com Since 1953
 Fax (419) 347-1654

TITLE
 AMERITE AT 25 6'-0 MID SECTION

ITEM	QTY	PART NUMBER	DESCRIPTION
2	3	1158	BENT STIFFENER
1	3	1297	1.25 OD x 0.065 WALL x 7'-0, A-513 (50 kpsi MIN YIELD)
Parts List			

SIZE A	DWG NO 1298	SHT. # 1
DRAWN BY: DOW		DATE 6/7/2005



DETAIL A

5	3	1300	TOWER LEG
4	3		STIFFENER
3	2		Hex Nut
2	3	1161	BENT STIFFENER
1	1	1172	CENTER TUBE
ITEM	QTY	PART NUMBER	DESCRIPTION

Parts List

AMERICAN TOWER COMPANY
 ISO 9001-2000
 P.O. Box 29 Shelby, Ohio 44875
 info@amertower.com
 www.amertower.com

Telephone (419) 347-1185 Fax (419) 347-1654
 Since 1953

TITLE
AMERITE 25 6'-0 TOP SECTION

SIZE A	DWG NO 1299	SHT. # 1
DRAWN BY: DOW		DATE 6/7/2005