

LightSaber LSO-12UOD-600600BAT15

12RU 24" Wide x 24" Deep Outdoor Floor Mount Cabinet with 15.6" Battery Space, NEMA 4X Rated|Grey

Features:

- Front and back door opening access.
- 3-point locking system.
- 12U rack space included at the top and 15.6 inch Battery space bottom.
- 19inch equipment rail(2x12U), with cable rings included.
- AC110V Cooling Fan for cooling the cabinet if necessary.
- Wind stop bracket to hold the doors when opening.
- Grounding copper bar.
- Cable entry holes with grommet on the bottom.

Also comes with:

- 2x AC110V Cooling fan (with temperature controller).
- 12 x M6 cagenut.
- 2 x Keys.
- 1 x Manual.



Specifications

Physical

Protection Class:	NEMA 4X
Rack Unit Size:	12U
Battery Space Size:	6U (15.6inch)
Cabinet Type:	Floor Mount
Color:	Grey RAL7035
Material:	Cold-rolled Steel
Unit Dimension(WxDxH):	23.62 x 23.62 x 45.82 inches (with 4inch height floor mount feet)
Unit Weight(lbs.):	149.87
Internal Depth (Front Rail to Back Door):	19.97 inches
Rail to Rail Depth:	17.86 inches
Shipping Dimension(WxDxH):	26.77 x 26.77 x 51.18 inches
Shipping Weight(lbs.):	169.71

Electrical

Cooling:	AC110V Cooling Fan x 2 (with tem. Controller)
Grounding:	Earthing Copper Bar,Grounding Wire
Other:	N/A

Certifications

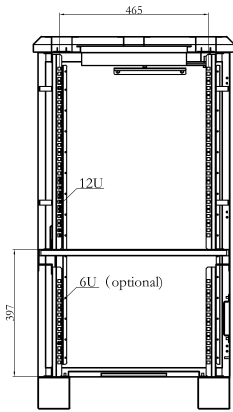
Safety:	CE
Approvals:	DIN41491, DIN41494, EIA/ECA-310-E, IEC 60297-3-100, RoHS

Warranty

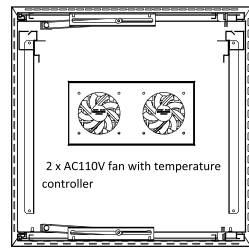
Product Warranty:	1-year
-------------------	--------

To all fan based **cabinets** please add this note : "Adding Gas spring for Fan Type Outdoor Cabinets to the top roof of the 3U-12U pole mount and 12U-18U floor mount cabinets. This allows customers to replace fans easily without fully removing the roof.

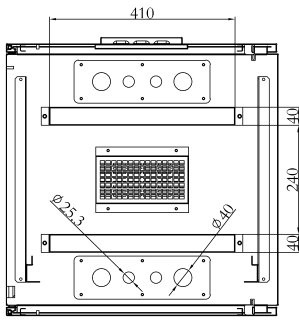
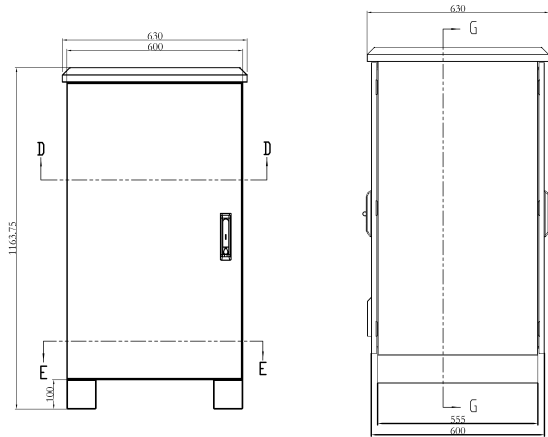
Impact: This improvement adds \$8 per unit



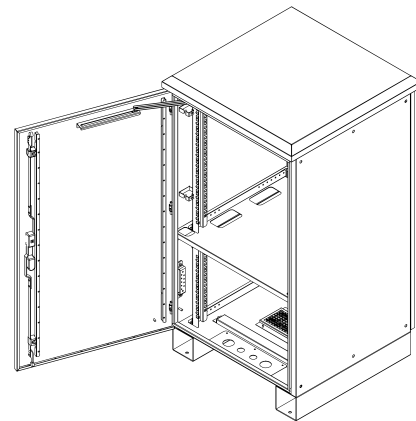
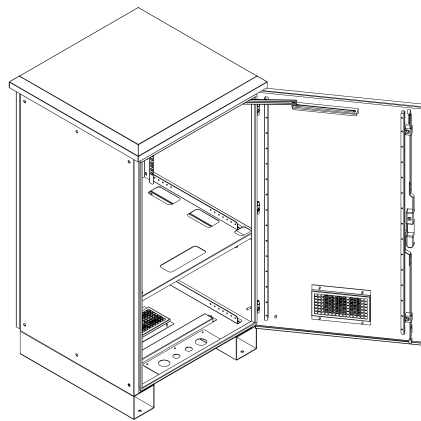
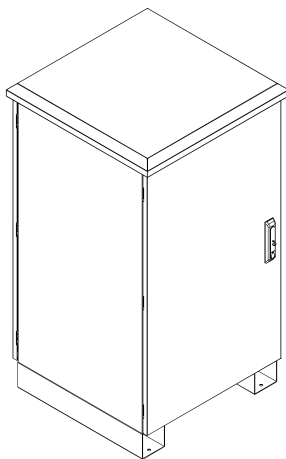
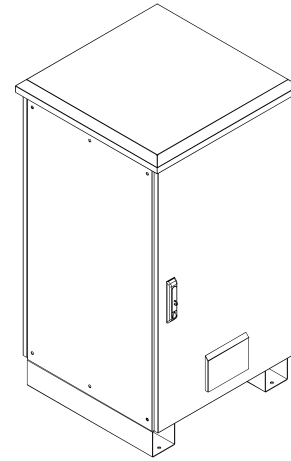
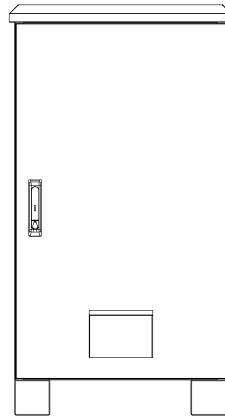
SECTION G-G



SECTION D-D



SECTION E-E



Description

- 12RU 600mm Wide x600mm Deep OUTDOOR Floor Mount Cabinet (with 15.6" battery space), IP55 Rated|Grey
- * Lockable Front door and rear door
 - * Includes Rain Hood
 - * 2 x AC110V fans mounted on the top(with temperature controller), with 1 meter power cord, air filter on the door.
 - * 12U equipment space (2pcs 19" rail) and 15.6inch battery space
 - * 100mm bottom support floor feet(2pcs)
 - * Load Capacity 300KG
 - * Include 30 x Cage nut sets

NOTES:

1. INSTALLATION SHALL COMPLY WITH ALL APPLICABLE NATIONAL, STATE AND LOCAL ELECTRICAL REGULATIONS.
2. REFER TO PRODUCT DOCUMENTATION FOR ADDITIONAL DETAILS PRIOR TO INSTALLATION AND SITE PREPARATION WORK.
3. ALL DIMENSIONS ARE IN MILLIMETERS [MM].