

LightSaber Optics LSO-6UOD-600450PM

6RU 24" Wide x 18" Deep OUTDOOR POLE Mount Cabinet, NEMA 4X Rated|Grey

The 6U 16-INCH lockable outdoor wall mount server rack cabinets are ideal for applications where your expensive and sensitive network equipment is exposed environmental factors such as dust and water. The cabinet design allows natural wind cooling through filtered vents on the front door. For added protection, there is a water and dust proof polyurethane door joint strip. they come in a variety of sizes with NEMA 4X rating for extra protection from the elements.

The outdoor server rack also has a dual fan kit included in the roof with a dust proof cover greater airflow/cooling. The fans are serviceable by lifting pivoting rain hood, and the front door dust filters are easily accessible for cleaning. All fixtures are internal to the cabinet to provide a secure solution.



Features:

- Fully assembled.
- 6U equipment space,NEMA 4X Rated.
- Reversible adjustable 19inch equipment rail, with cable rings included.
- AC110V 60Hz Cooling Fan Unit (2 pcs) on the top roof(with temperature controller).
- Front door opening access.
- Grounding wires.
- Cable entry holes with grommet on the bottom.

Also comes with:

- 4 x wall mount bracket(includes mounting hardware).
- 2 x side lifting bracket (includes mounting hardware).
- 1 x pole mount bracket kits (includes mounting hardware).
- 10 x M6 cagenuts.
- 2 x Keys.



Physical:

- Water and dust proof polyurethane door joint strip.
- Wall mount accessories included.
- Fully welded design, supplied complete, no assembly required.
- Made from cold rolled steel.
- Surface finish: Degreasing, pickling, phosphoric wash, cleaning, and powder coated.



Specifications

Physical

Model name:	LSO-6UOD-600450PM
Protection Glass:	NEMA 4X
Rack Unit Size:	6U
Cabinet Type:	Pole-Mount Outdoor Cabinet
Color:	Grey RAL7035
Material:	Cold-rolled Steel
Unit Dimension(WxDxH):	23.62 x 17.71 x15.75 inches(without extrude rain roof dim.)
Unit Weight(lbs.):	67.66
Internal Depth (Front Rail to Back Door):	15.74 inches
Rail to Rail Depth:	11.22 inches
Shipping Dimension(WxDxH):	26.77 x 20.87 x 18.90 inches
Shipping Weight(lbs.):	72.95

Electrical

Cooling:	AC110V Cooling Fans x 2 (with tem. controller)
----------	--

Certifications

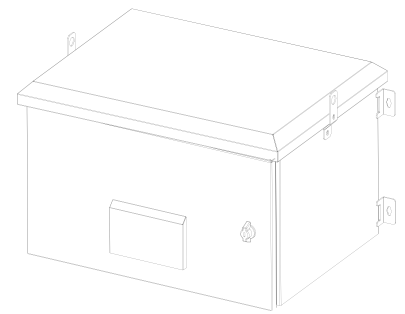
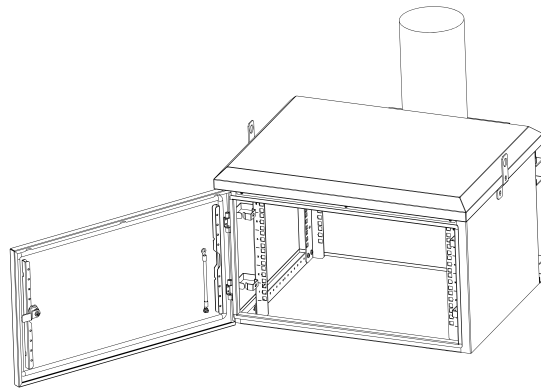
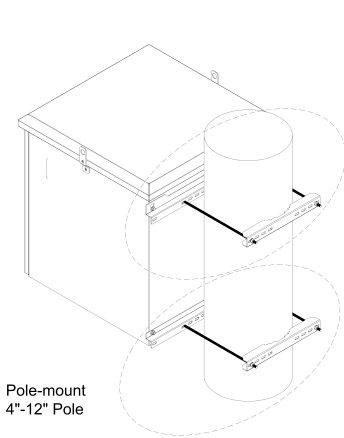
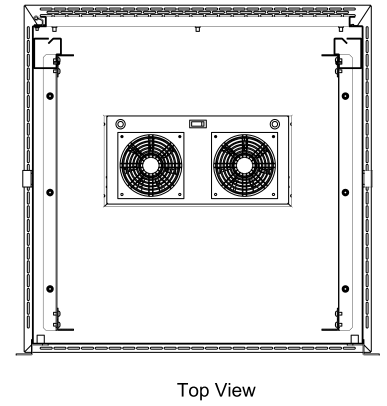
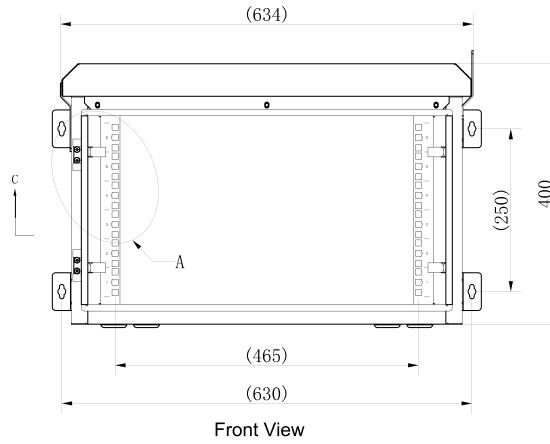
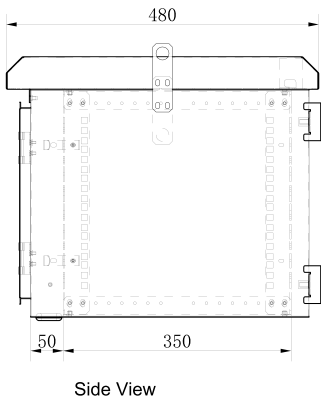
Safety:	CE
Approvals:	DIN41491, DIN41494, EIA/ECA-310-E, IEC 60297-3-100, RoHS

Warranty

Product Warranty:	1-year
-------------------	--------

To all fan based **cabinets** please add this note : "Adding Gas spring for Fan Type Outdoor Cabinets to the top roof of the 3U-12U pole mount and 12U-18U floor mount cabinets. This allows customers to replace fans easily without fully removing the roof.

Impact: This improvement adds \$8 per unit



NOTES:

1. Installation shall comply with all applicable national, state, and local electrical regulations.
2. Refer to the product documentation for additional details prior to installation and site preparation work.
3. All dimensions are in millimeters (mm).