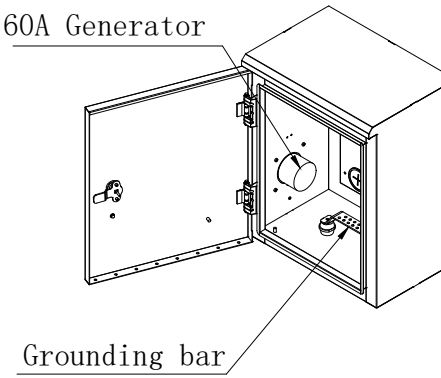
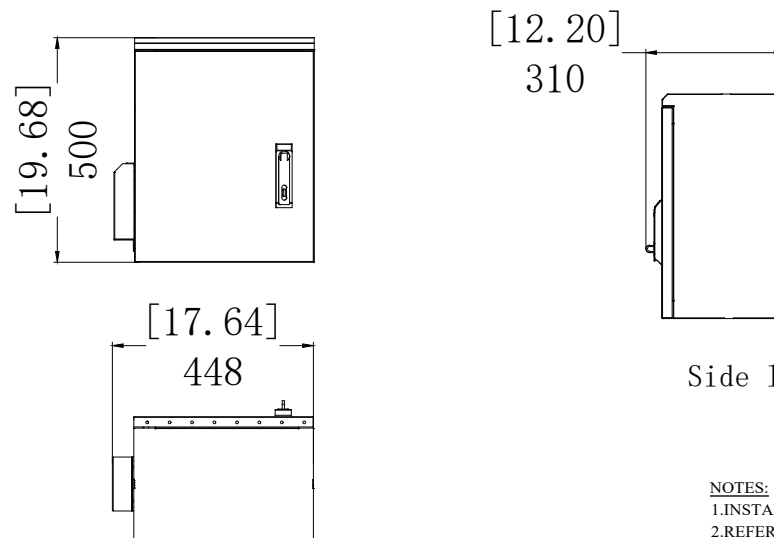


60A Generator



Grounding bar

Side load box-Open



Side load box-Closed

NOTES:

1. INSTALLATION SHALL COMPLY WITH ALL APPLICABLE NATIONAL, STATE AND LOCAL ELECTRICAL REGULATIONS.
2. REFER TO PRODUCT DOCUMENTATION FOR ADDITIONAL DETAILS PRIOR TO INSTALLATION AND SITE PREPARATION WORK.
3. ALL DIMENSIONS ARE IN [INCH]MM.

THIS DRAWING AND SPECIFICATIONS HEREIN ARE THE PROPERTY OF LightSaber AND SHALL NOT BE COPIED, REPRODUCED OR USED IN WHOLE OR IN PART, AS THE BASIS FOR THE MANUFACTURE OR SALE OF ITEMS WITHOUT WRITTEN PERMISSION FROM LightSaber. THIS DRAWING IS BASED UPON LATEST AVAILABLE INFORMATION AND IS SUBJECT TO CHANGE WITHOUT NOTICE.



TITLE:
30U Outdoor Cabinet/side load box
AC110V,60Hz,1500W Air Conditioner

DWG NO: LSO-SIDEBOX-201611-AL

REV.
R0

DRAWN BY: K.Z. 2023-03-09

ENGINEER: P.W. 2023-03-09

PROJECT: SHEET 1 OF 1

APPROVED BY: T.C. 2023-03-09