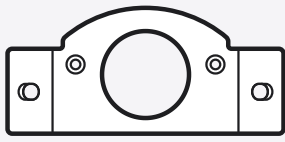


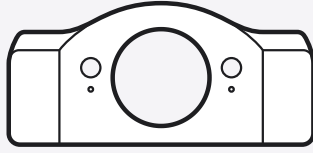


G5/G6 PTZ Corner Mount



1x

a



1x

b



2x

c

M4



2x

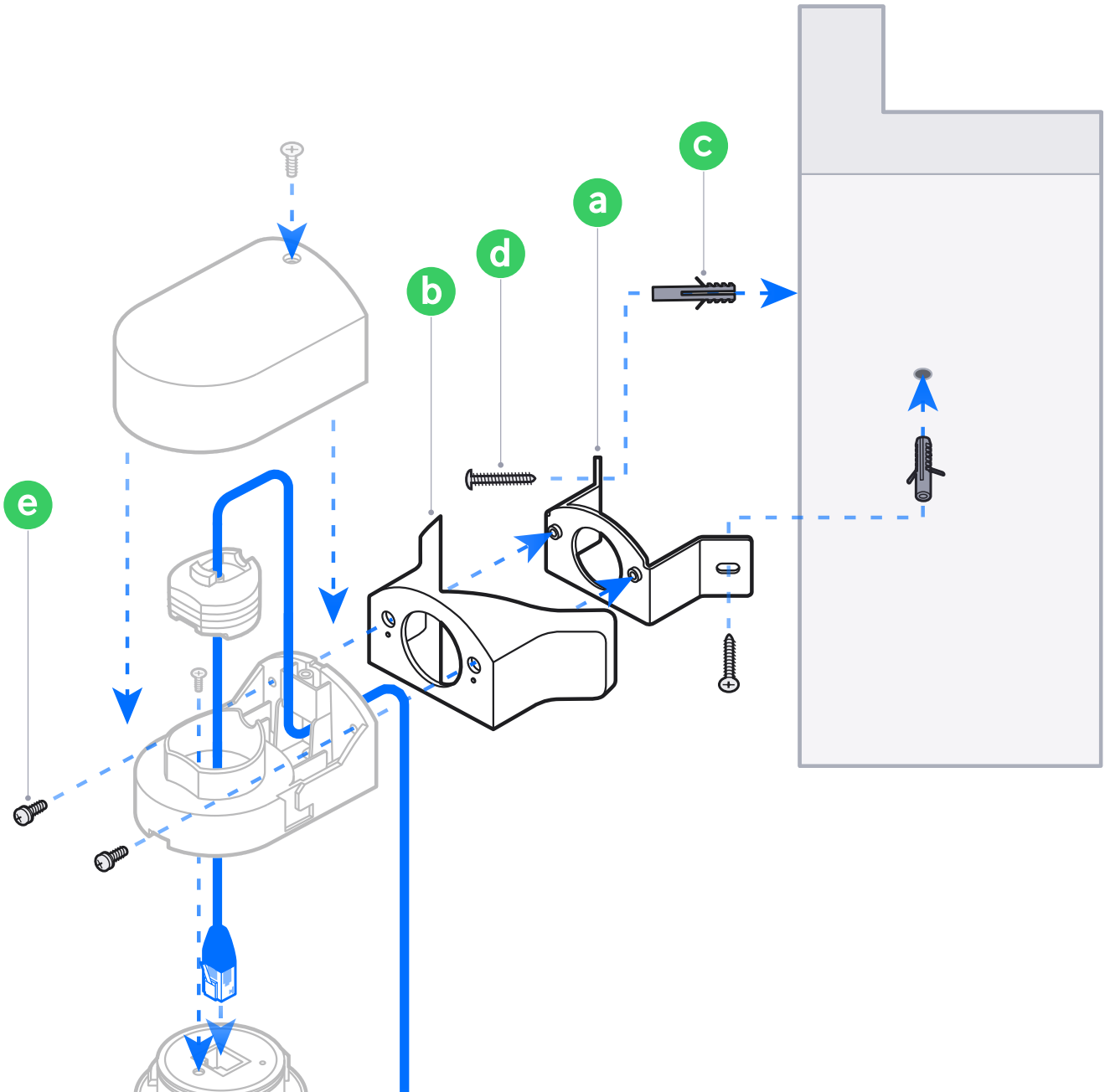
d

M3.5

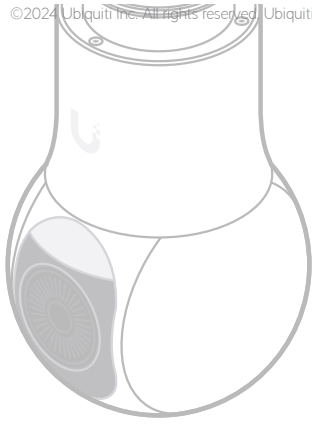


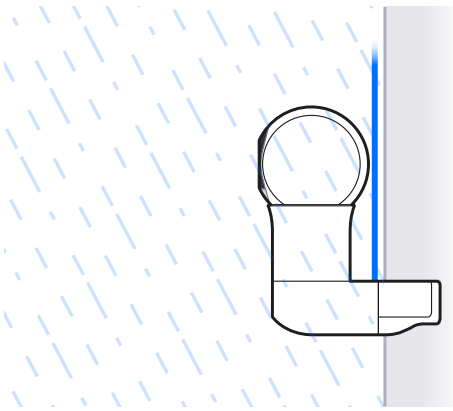
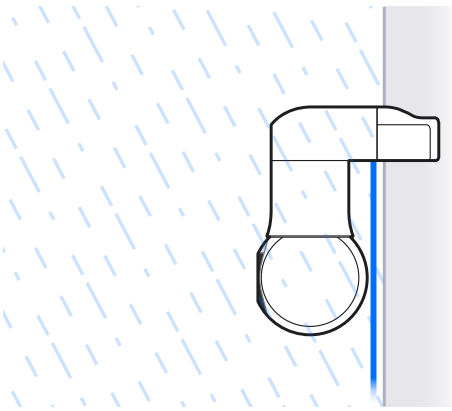
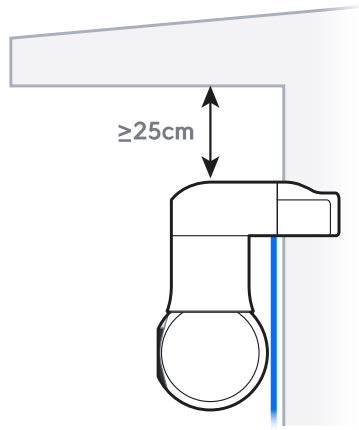
2x

e

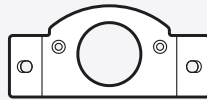


©2024 Ubiquiti Inc. All rights reserved. Ubiquiti and the Ubiquiti U logo are trademarks or registered trademarks of Ubiquiti Inc. in the United States and in other countries.



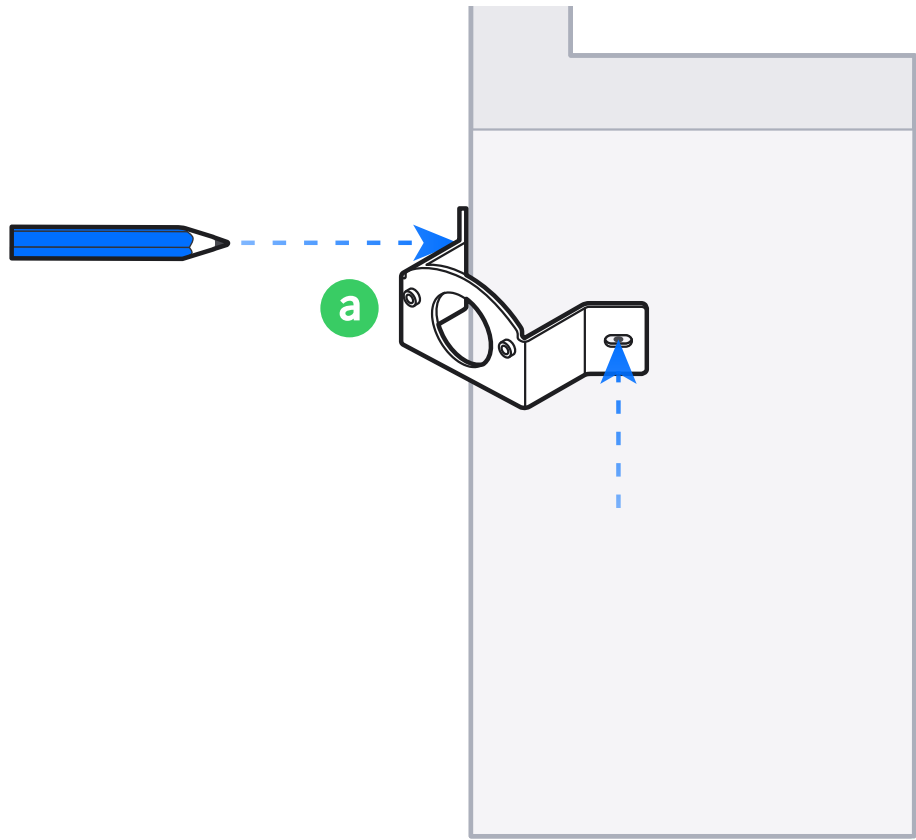


1

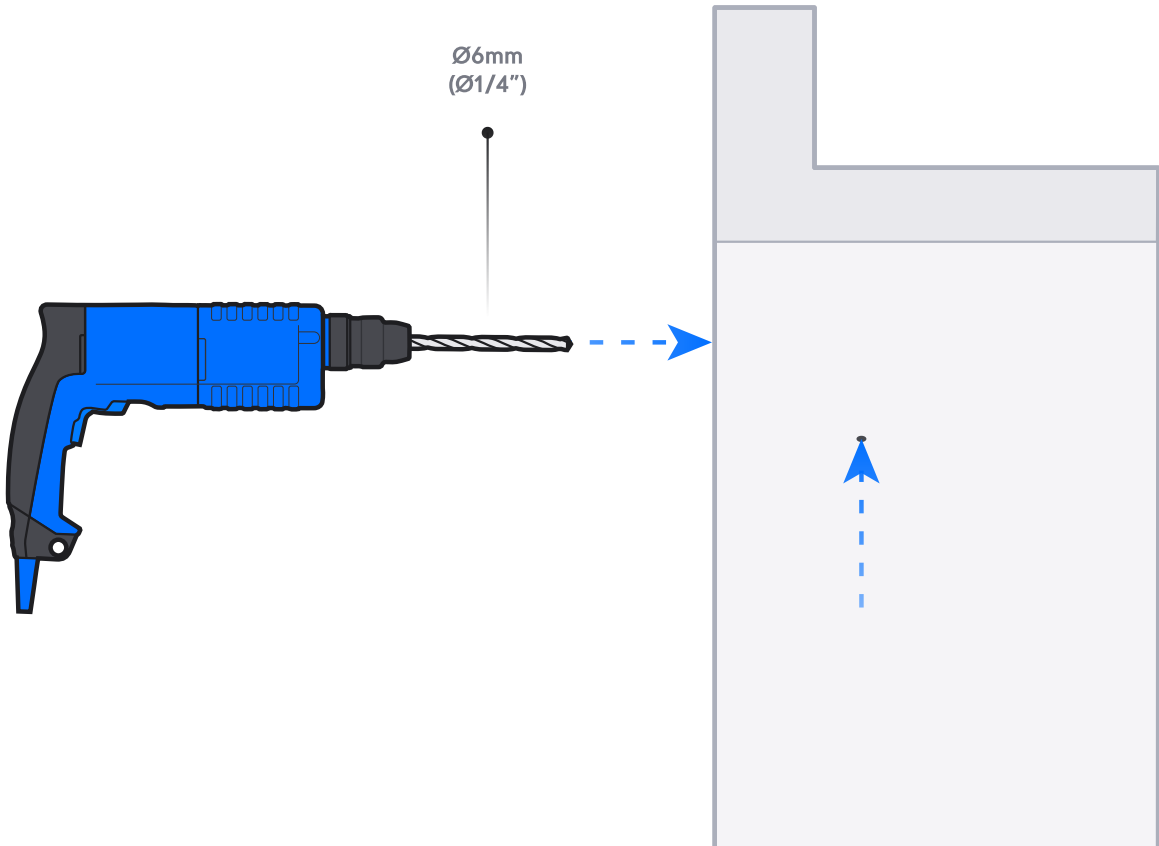


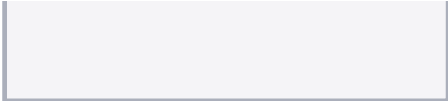
1x



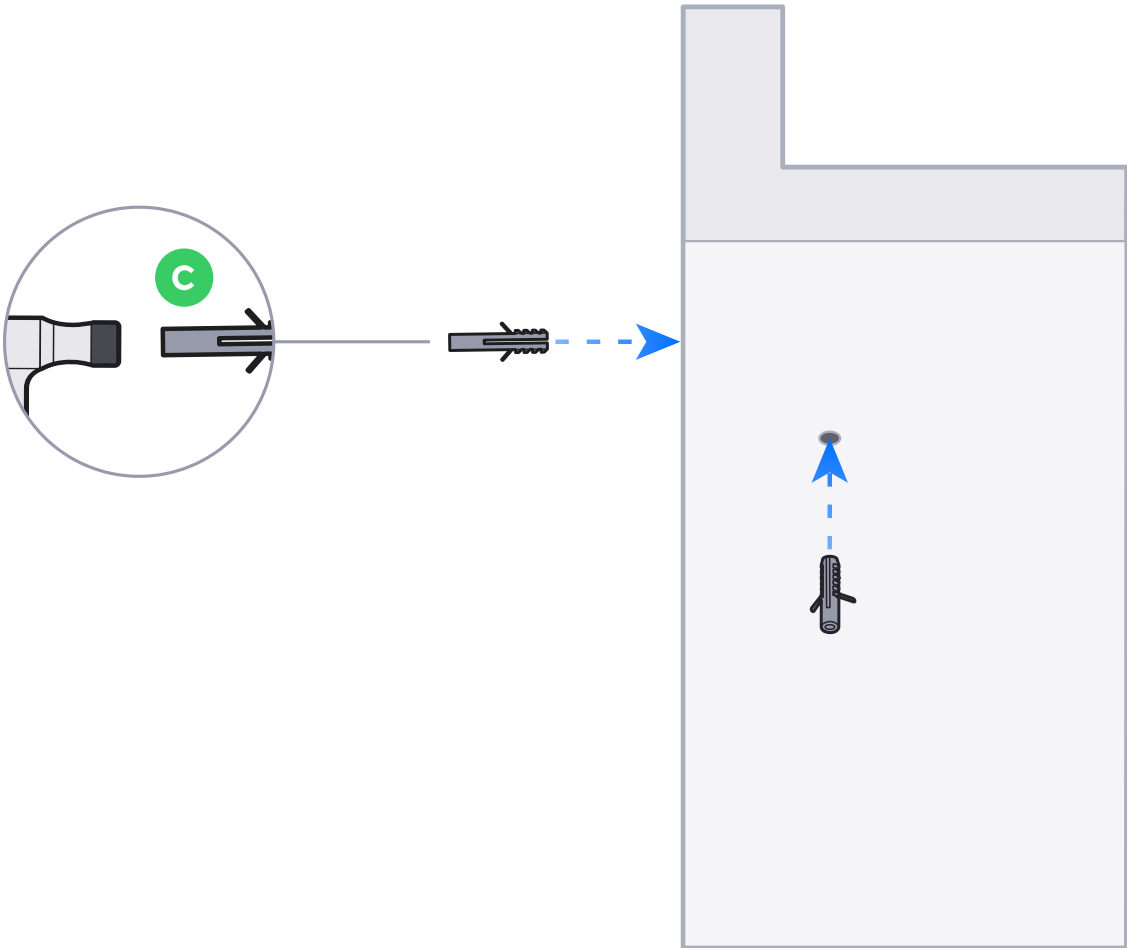
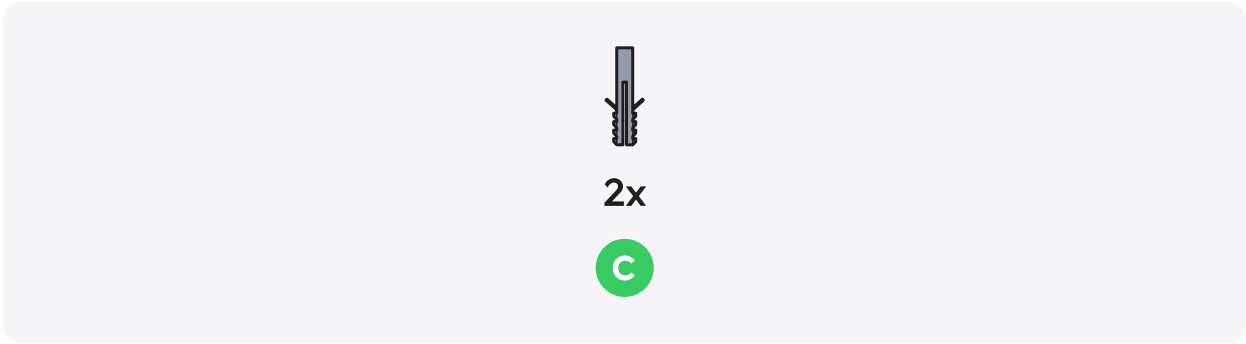


2

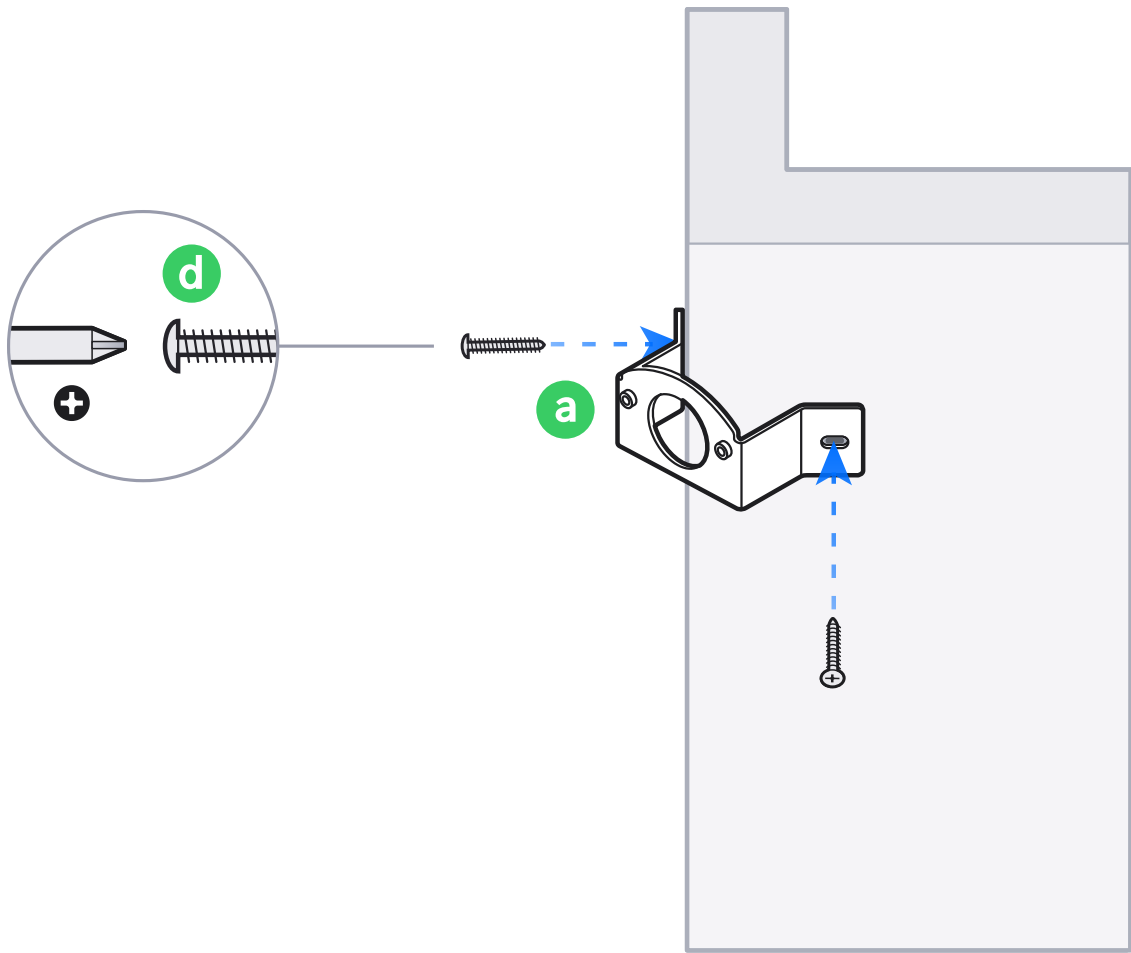
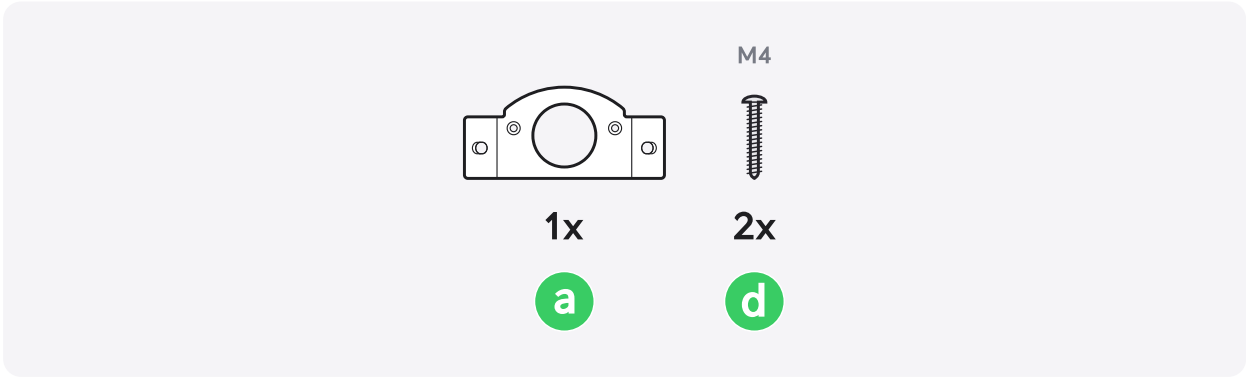




3

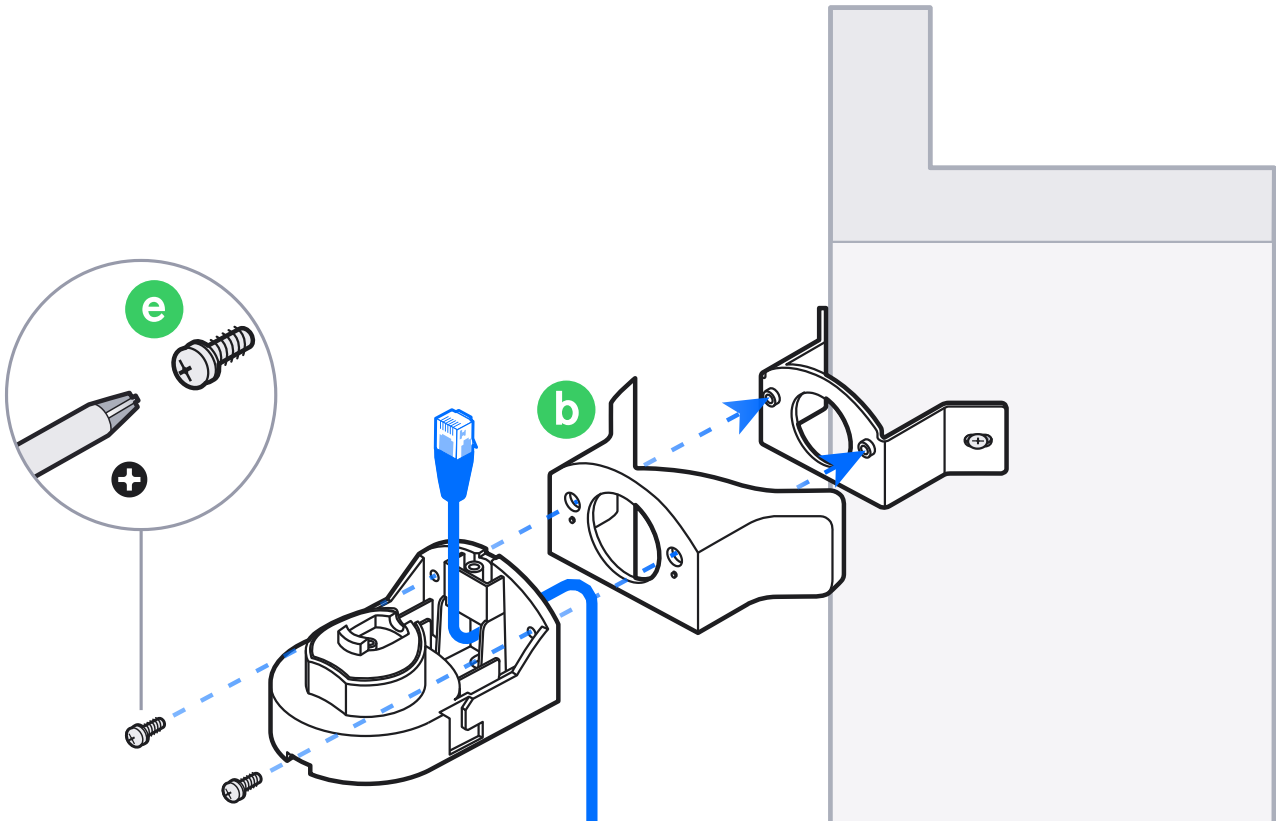
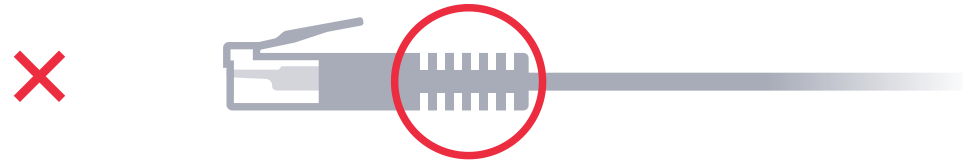
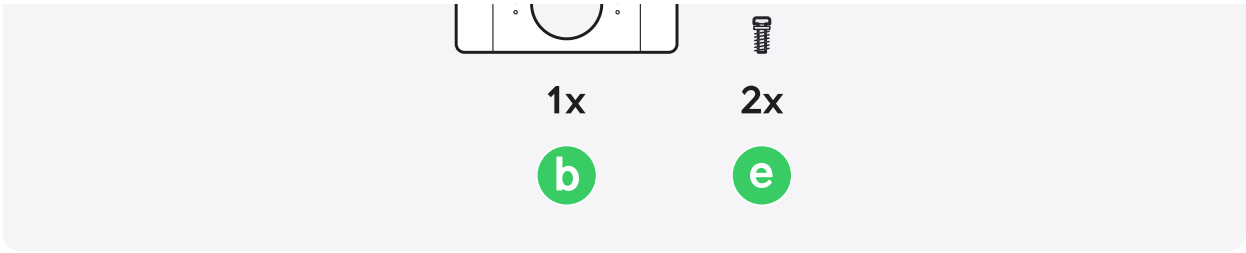


4

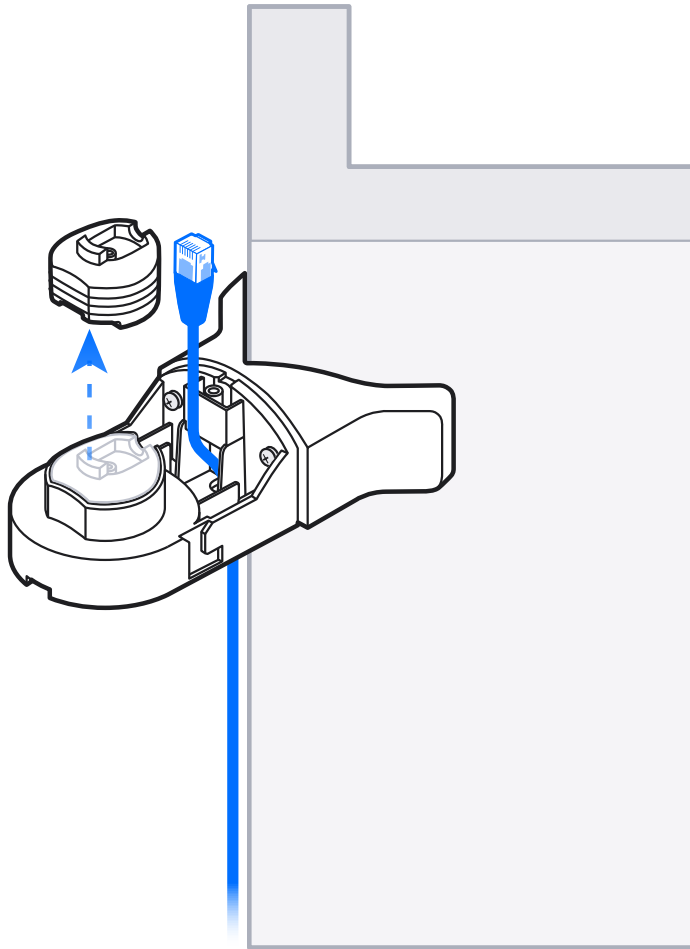


5



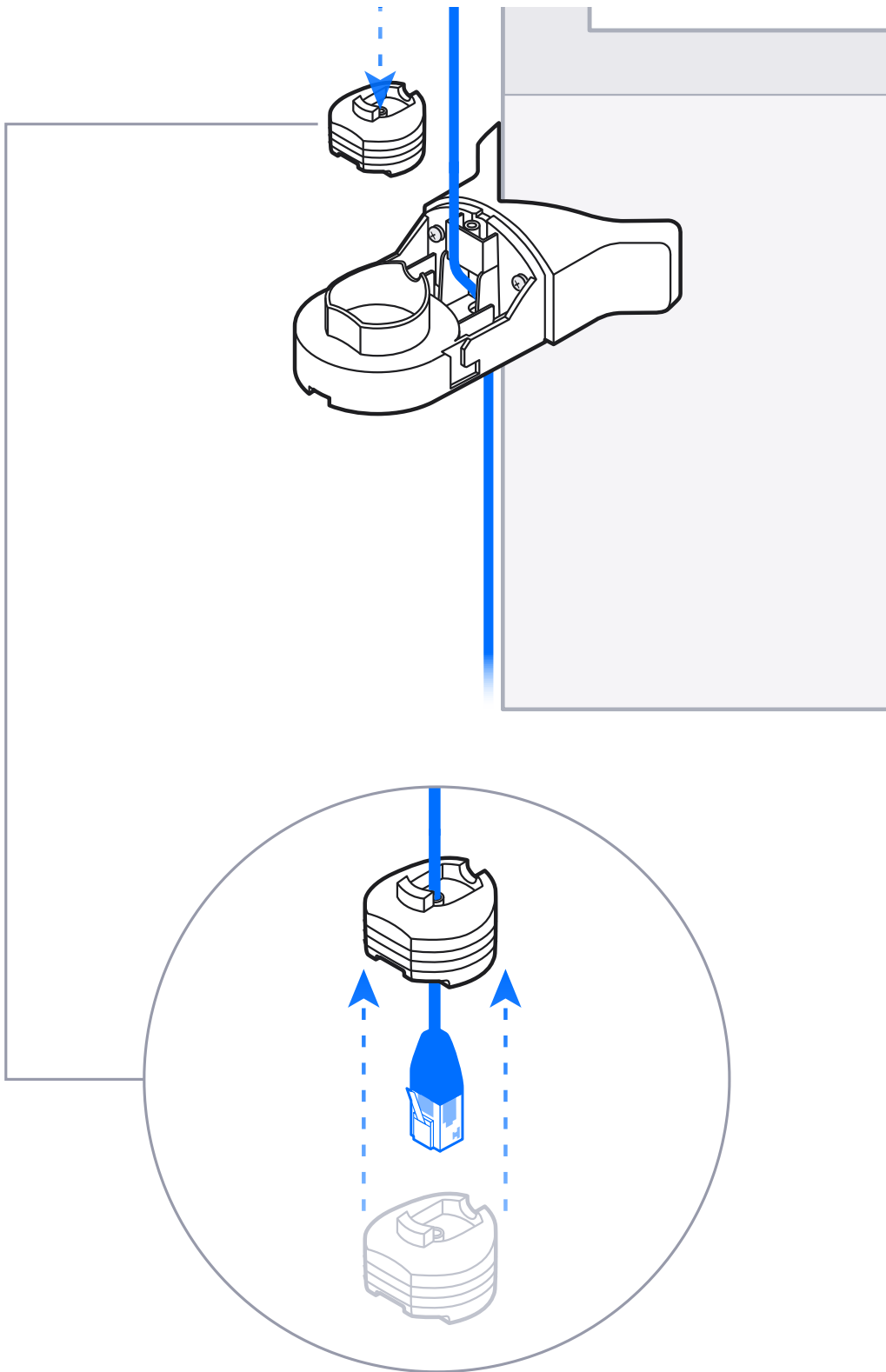


6



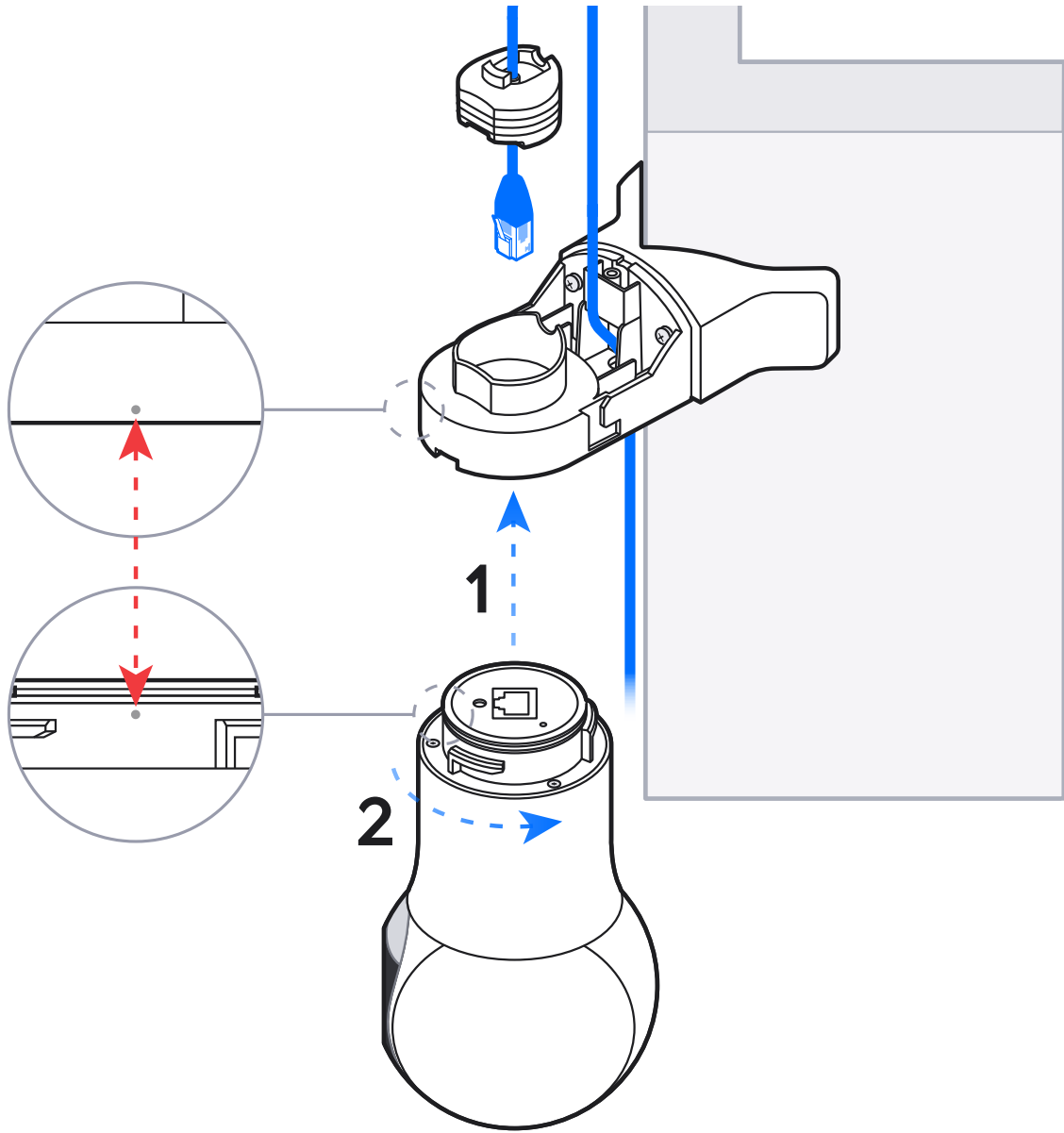
7



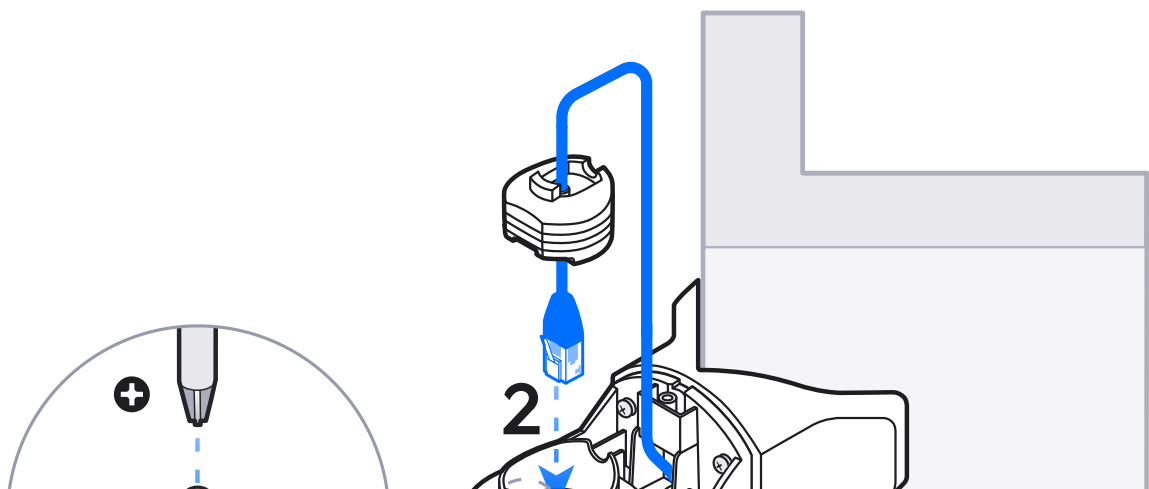


8

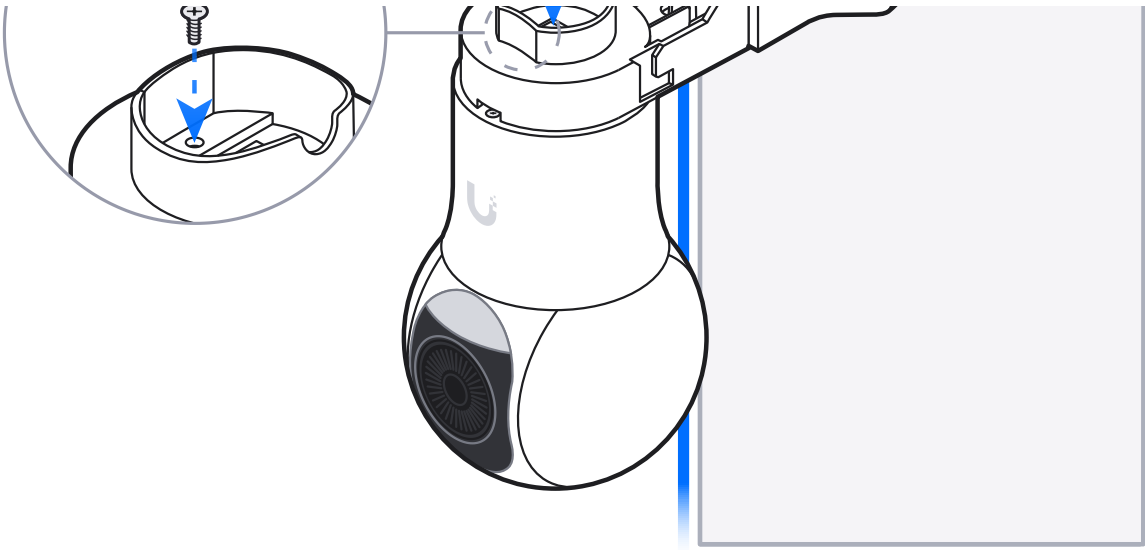




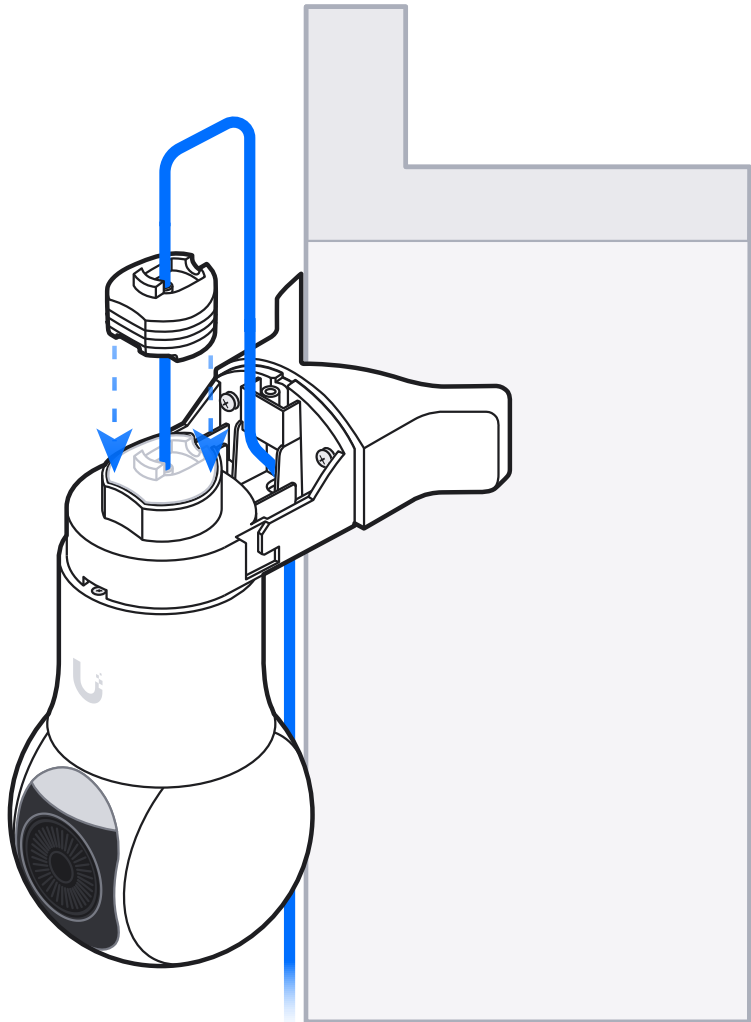
9



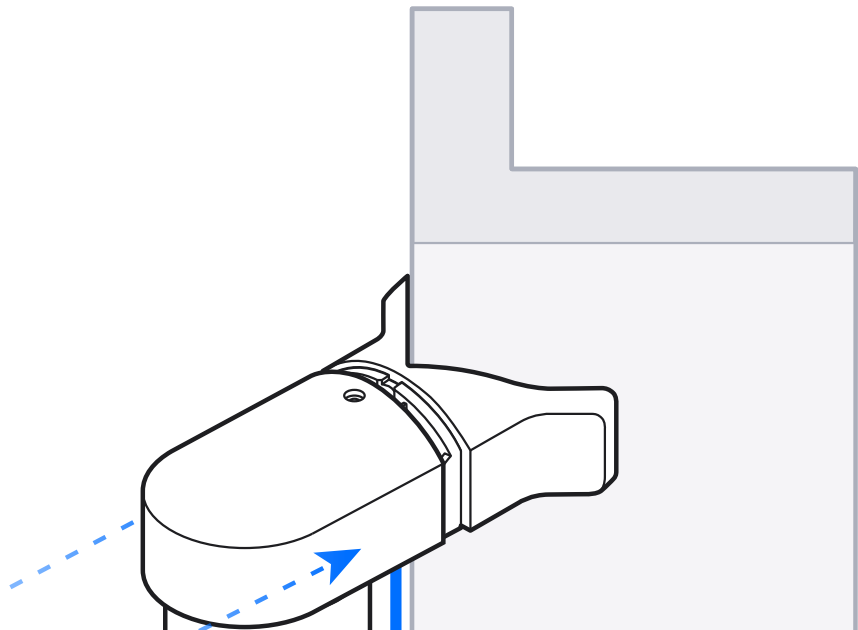
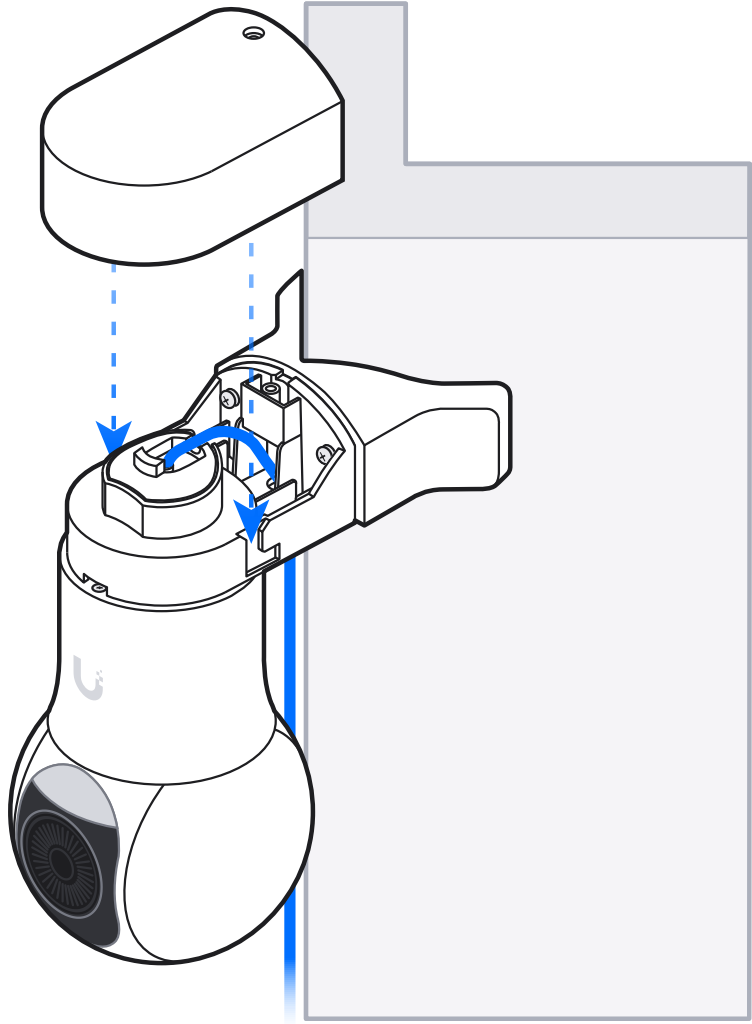
1

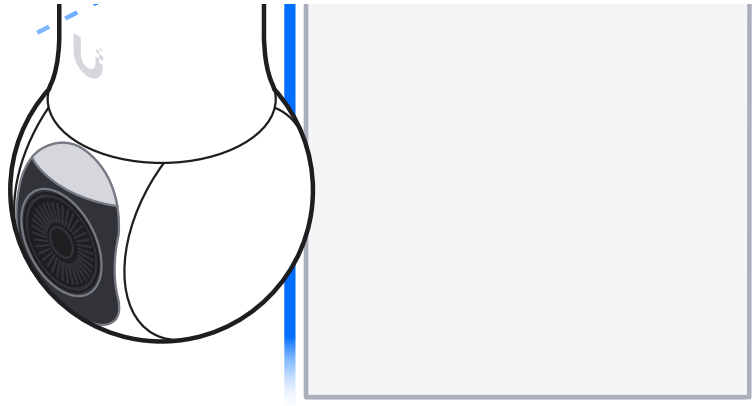


10

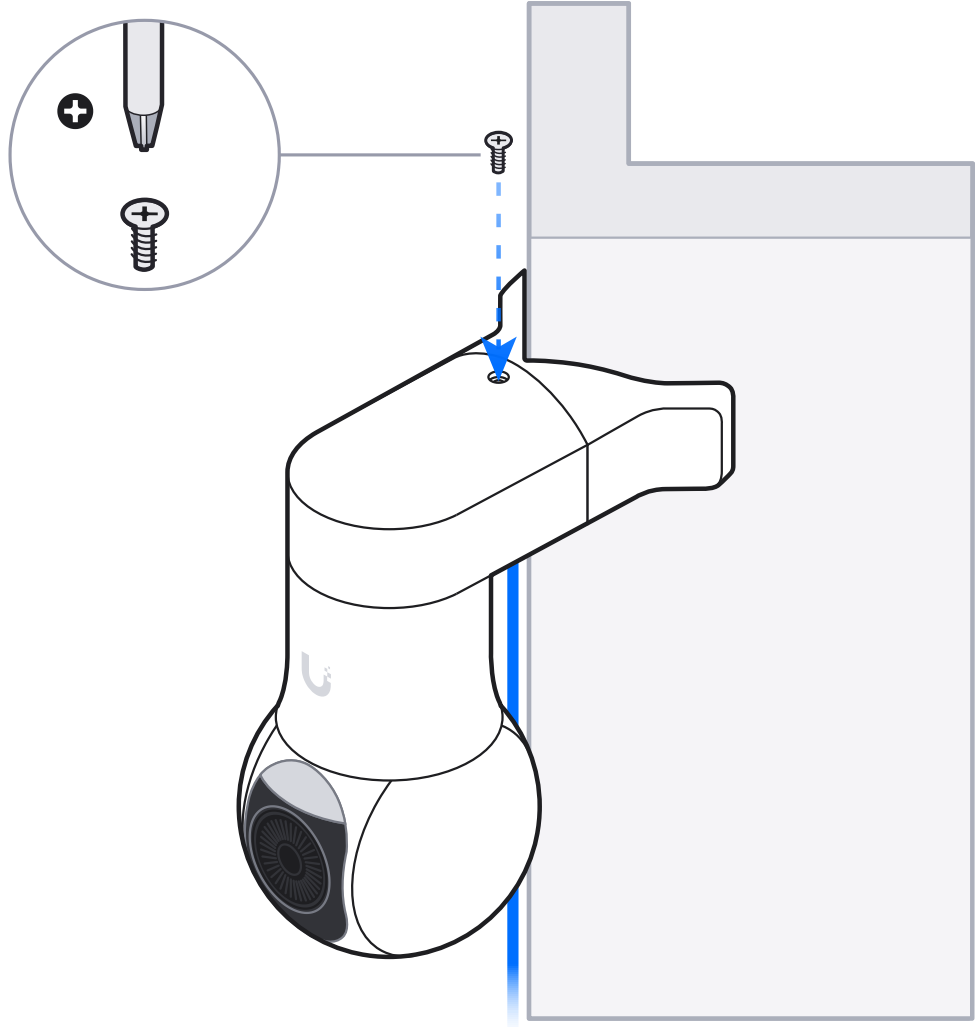


11





12



If you need further assistance, visit our [Help Center](#) or contact [Ubiquiti Support](#).