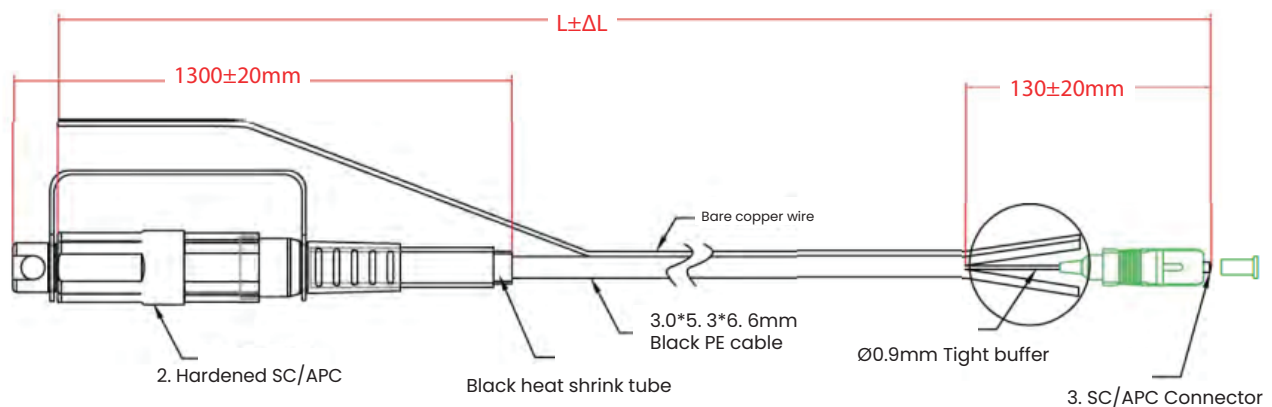


## Peelable Micro Drop Cable Optitap-SCAPC Toneable

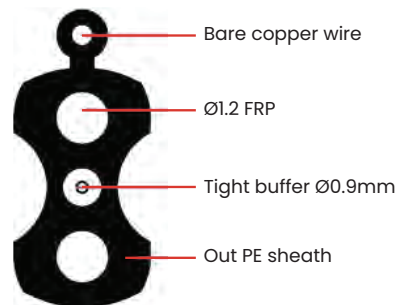
### Cable Diagram

Cyclone Toneable Peelable Micro Flat Drop SM (end1) Nylon Tight Buffer SC/APC Pulling Eye (end2) OPTitap compatible G.657.A1 On Reel

Available in 50FT increment lengths from 100FT to 600FT



### Cable Cross Section



Name	Description
Cabel	3.0x5.3x6.6mm black PE cable
Connector A	Hardened SC/APC connector
Connector B	SC/APC connector

### Technical Requirements

$IL \leq 0.3\text{dB}$ ,  $RL \geq 60\text{dB}$ ;

$\Delta L$ :  $L \leq 2133.6\text{mm}$ ,  $\Delta L: \pm 30.48\text{mm}$ ;  $L > 2133.6\text{mm}$ ,  $\Delta L: \pm 6.096\text{mm}$  The unit of L is mm;

The tearing force between two FRP reinforcement members and 0.9mm tight-buffered optical fiber in the optical cable is  $\leq 20\text{N}$ ;

The outer end of the connector is a SC/APC connector, which contains a pull eyes. The inner end is hardened SC/APC, without pulling eyes.