




Multi Port Passive POE injector

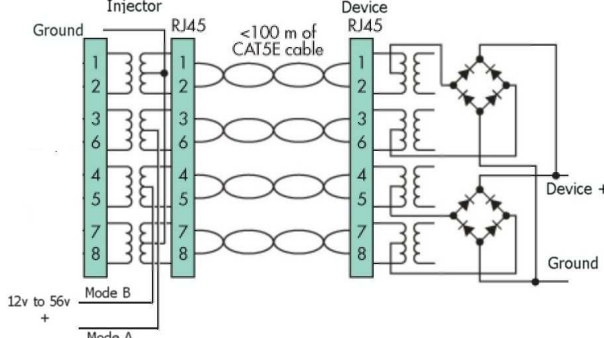
WiFi-Texas.com Inc
 815-A Brazos #326
 Austin Texas, 78701
 512-479-0317
<http://wifi-texas.com>
 Skype: wifiqos

WS-GPOE-12

power 12 gigabit devices from one supply 12v to 56v

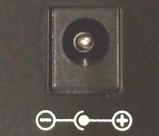
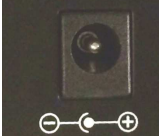


1-4 Rj45 socket	LED1	5-8 Rj45 socket	LED2	9-12 Rj45 socket
Port current 0-20ma	off		off	
Port current 0-400ma	green		green	
Port current >400ma	yellow		yellow	



- 12 Port Gigabit Ethernet Injector
 - 12 Shielded RJ-45 LAN
 - 12 Shielded RJ-45 LAN+POE
 - all 4 data pairs connected – transformer isolated power on POE side
- Size: 19 inch 1U Rack mount
- Dual 650 ma automatic resettable fuse on each port
 - 1.3 amps in AB mode
- Same voltage to all ports
power is equally shared as needed by the devices
- Use with any Ethernet switch – PoE or non-PoE switches
- Standard power connector - 2.1mm x 5.5mm
 - Dual connectors – for one or two power supplies
 - Use two power supplies for redundancy or 802.3at mode
- Ideal for IP Cameras, VOIP phone, WiFi Access Points
- Technical support from Austin
- LED status indicator
- Operating Temperature – 0 to 65 deg C
- Select the power supply you need 12 to 56 volts
- We offer kits with power supplies

Online PoE Distance calculator: <http://wifiqos.com/poe-calc.html>

Device Spec	MODE A PIN 1.2 V- PIN 3.6 V+ 	MODE B PIN 4.5 V+ PIN 7.8 V- 	Application
	RJ45 pins 36+ 12-	RJ45 pins 45+ 78-	
802.3at active	56 volts	56 Volts	Please see our WT-AT-8-56v120w device for true 802.3at
802.3at passive	56 volts	56 Volts	For WiFi-Access points and cameras that accept passive power, up to 240 watts
802.3af or "12v, PoE"	48 volts	48 volts or none	Use B input for redundancy
Passive 24v	None	24 volts	Mikrotik, UBNT, OpenMesh, Tranzeo