

NanoBracket[®] for ePMP[™]

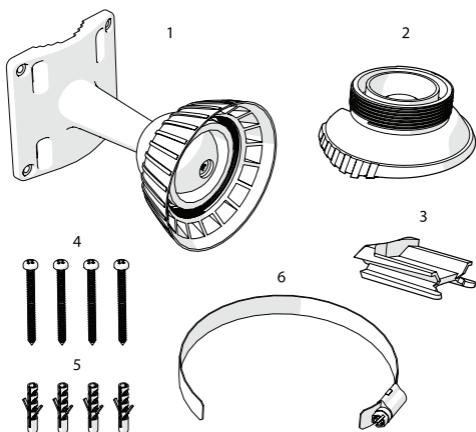
BRACKET FOR ePMP[™] INTEGRATED RADIO



NanoBracket® for ePMP™

1

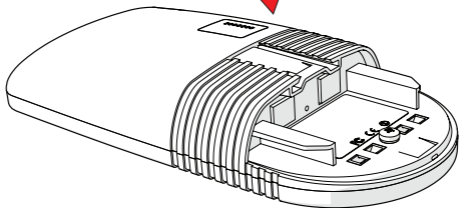
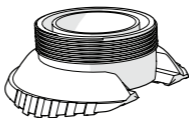
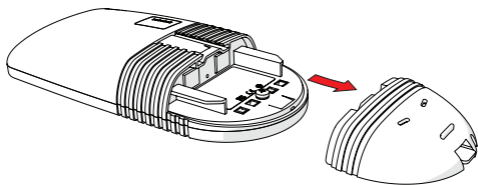
Package Contents



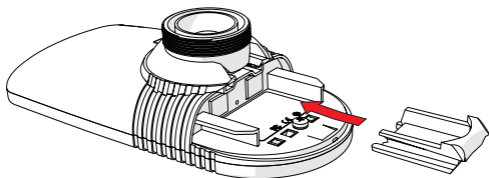
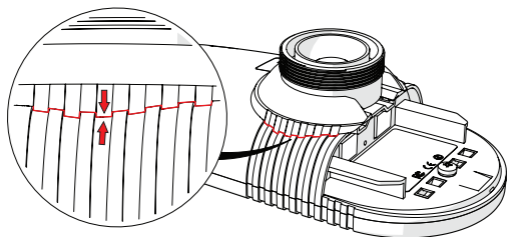
Number	Description	Quantity
1	Bracket Body 1	1x
2	Bracket Body 2	1x
3	Locking Wedge	1x
4	3,5 x 45mm Screw	4x
5	Wall Plug	4x
6	Hose Clamp*	1x

*Second Hose Clamp is delivered with ePMP™ Radio

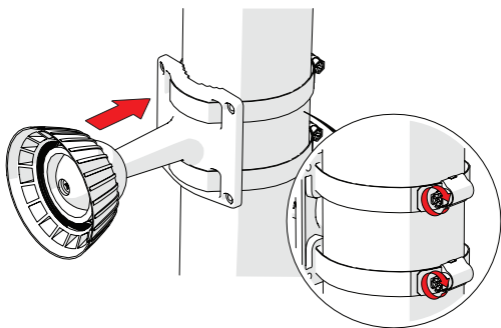
Installation Guide



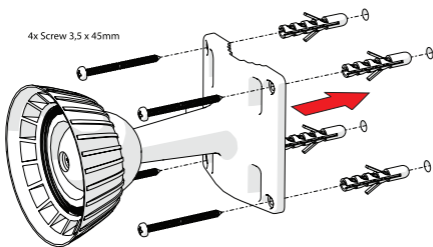
Installation Guide



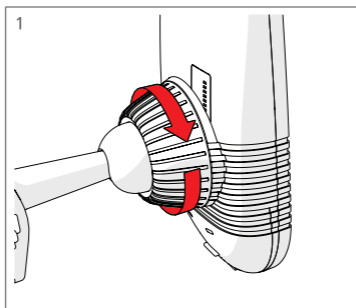
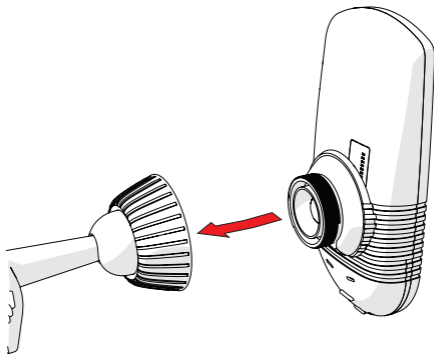
Installation on a Pole



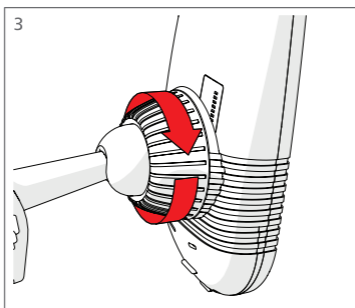
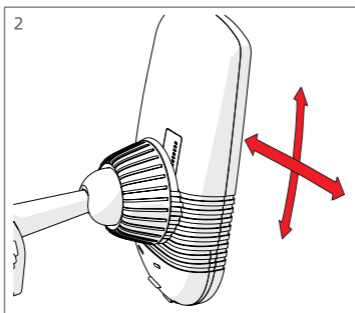
Installation on Wall



Installation Guide



Installation Guide



ePMP™ is trademark of Cambium Networks, Ltd.,
3800 Golf Road, Suite 360, Rolling Meadows, IL 60008

RF elements® and NanoBracket® are trademarks
of RF elements s.r.o., Humenne, Slovakia.

All rights of trademark owners reserved.



RF elements s.r.o.
Phone: +421 2 3260 3711
info@rfelements.com
www.rfelements.com