



Cambium Networks™

PTP 820S Radio Quick Installation Instructions

User Documentation

Installation and operation of the PTP 820S is described in the PTP 820S Technical Description and PTP 820S Installation Guide available for download from:

<http://www.cambiumnetworks.com/support>

Download and read the Technical Description and Installation Guide before deploying the PTP-820S equipment.

Application firmware

Download and install the latest PTP 820S firmware before deploying the PTP 820S equipment.

EU declaration of conformity

Hereby, Cambium Networks declares that the PTP 820S complies with the essential requirements and other relevant provisions of Directive 1999/5/EC. The declaration of conformity may be consulted at:

<http://www.cambiumnetworks.com/support/ec-doc>

Enquiries and support

support@cambiumnetworks.com

1+0 Direct Mount Installation

List of Items

Item	Description	Quantity	Remarks
1	PTP 820S RADIO	1	

Required Tools

- Metric offset hexagon key wrench #6
- Phillips #2 screwdriver

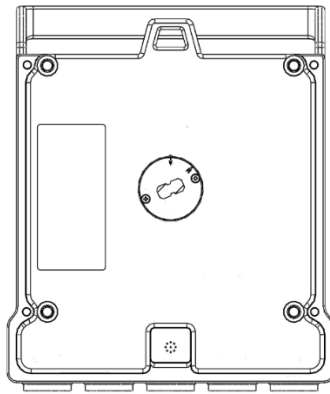
Procedure

- 1 To install the IP-20S in a direct mount 1+0 configuration:



Warning

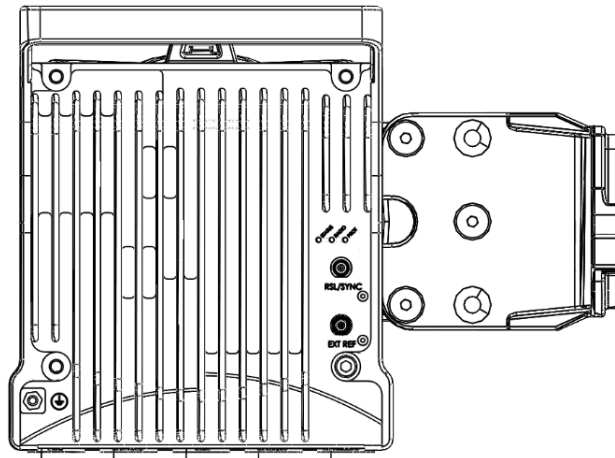
Do not remove the transparent pressure window located on the antenna interface.



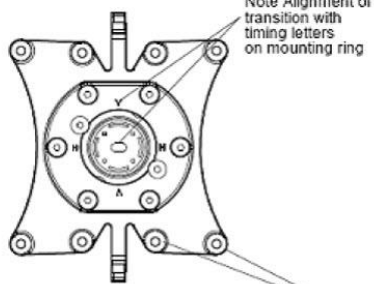
Note

If necessary, change the antenna polarization by rotating the unit in accordance with the relevant antenna installation guide.

Horizontal / Vertical Pole



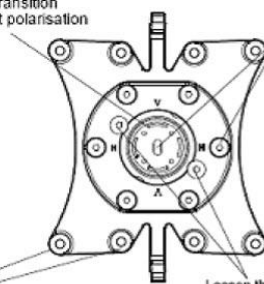
VERTICALLY POLARISED



Note Alignment of transition with timing letters on mounting ring

HORIZONTALLY POLARISED

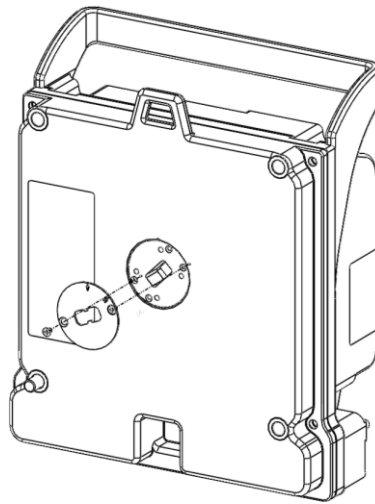
Rotate transition to adjust polarisation



Note Alignment of transition with timing letters on mounting ring

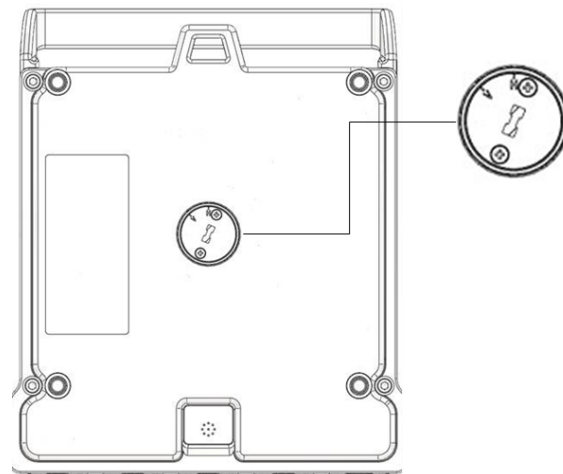
Torque M8 ODU/Coupler hardware to 12Nm.

Loosen the two c'sk screws and remove to adjust polarisation. Make sure the screws seat correctly in the alignment notches on transition rim. Tighten to a torque of 5Nm (3.69 lb-ft)

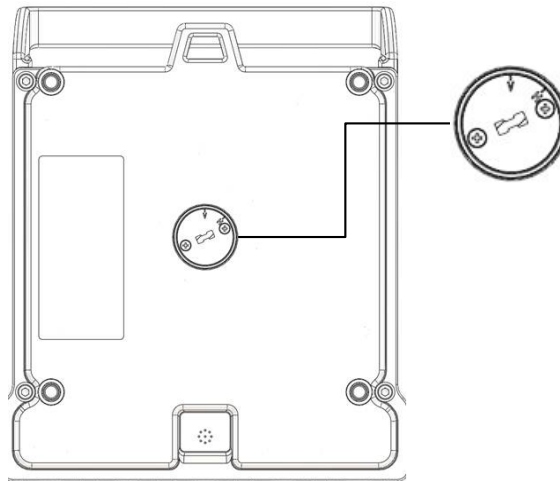


Twist Orientation

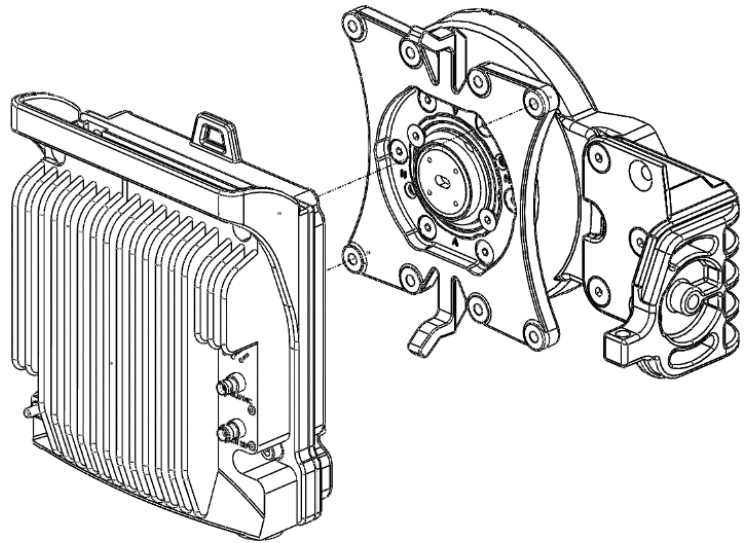
- a) For horizontal polarization, locate the holes above and below the letter "H" on the pins and fasten the two screws.



- b) For vertical polarization, locate the holes above and below the letter "V" on the pins and fasten the two screws.



- 2 Mount the PTP 820S on the antenna using the four M8 captive screws and washers that are supplied and tighten the screws.



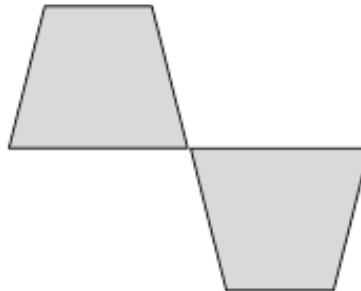
2+0 Dual Polarization Direct Mount



Note

This procedure can also be used for 1+0DP HW ready for 2+0DP configuration.

ACAP



List of Items

Item	Description	Quantity	Remarks
1	PTP 820S RADIO	1	
2	RFU-C OMT kit	1	

Required Tools

- Metric offset hexagon key set
- Metric wrench key set

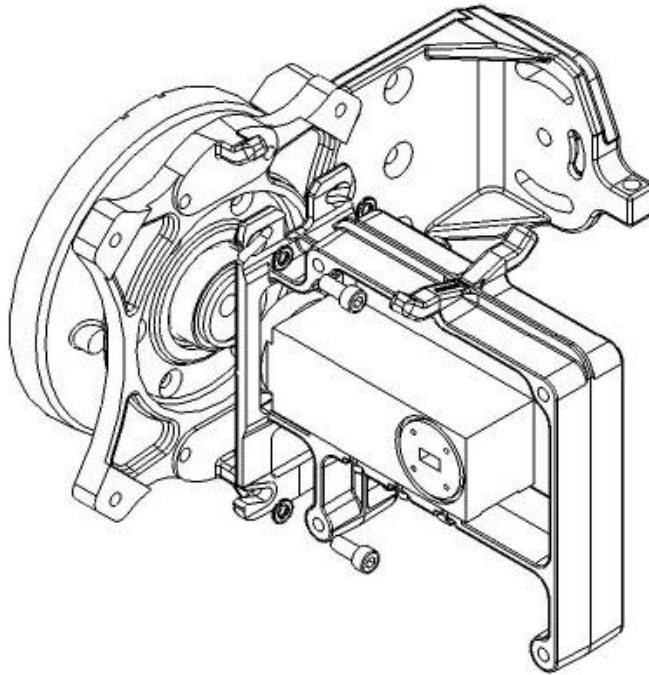
Procedure

- 1 Prior to the installation, follow the antenna manufacturer's instructions to use the circular adaptor. (Remove the existing rectangular transition, swap the O-ring, and install the circular transition instead).

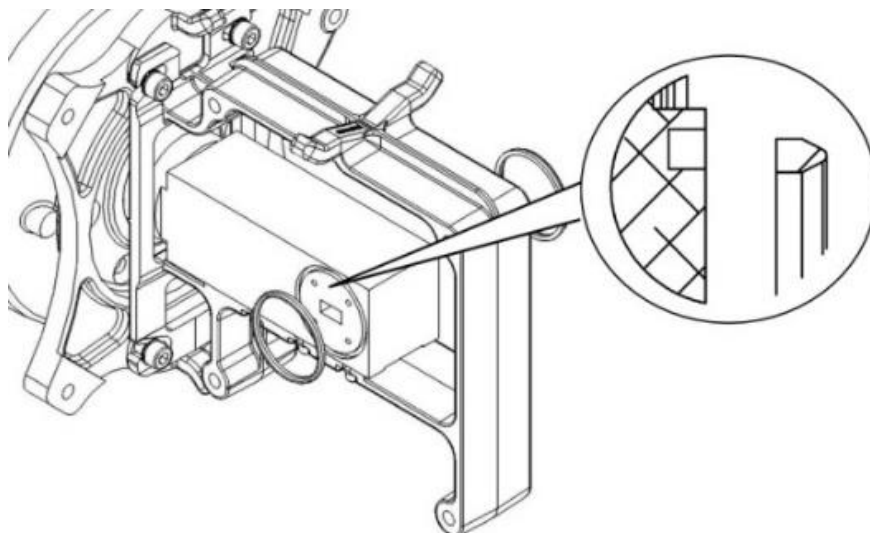
Circular Adaptor



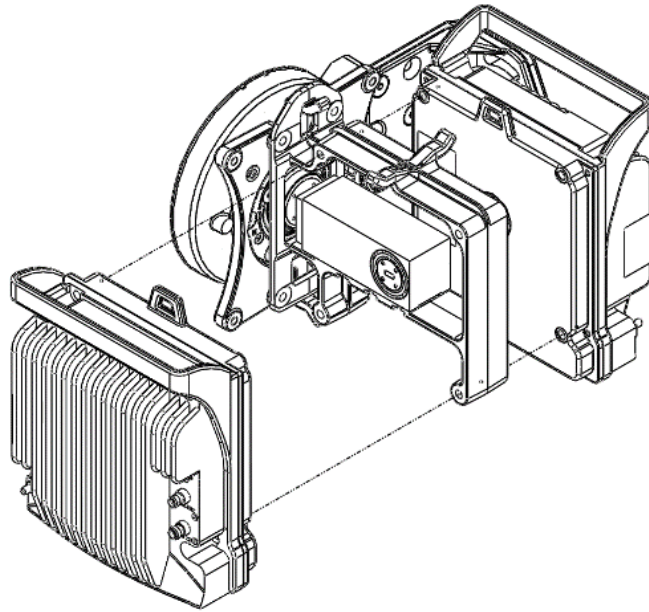
- 2 Connect the RFU-C OMT Kit to the antenna and secure it with four screws. Verify the existence of the O-ring.



- 3 Mount the two O-Rings supplied with the RFU-C OMT kit on the OMT body. Make sure the mounting direction is correct, as shown in the section view.



- 4 Mount both RFUs, using the four M8 captive screws and washers supplied, through the radio and OMT holder, and tighten the screws. Make sure the polarization mounting direction is correct.



- 5 Tilt the entire assembly, as described in the dual polarization link alignment procedure, to achieve maximum XPD (Cross Polar Differentiation). After link alignment, tighten the four M8 screws left open in step 2 on above.