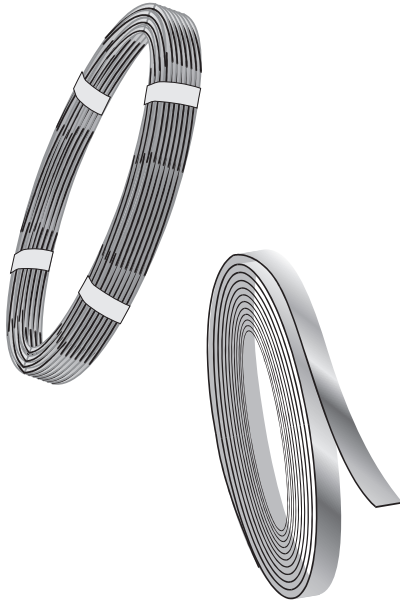


HARDWARE



ROHN GROUNDING

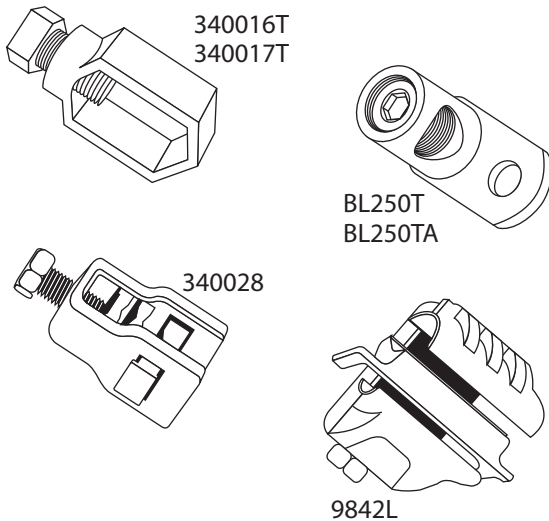
WIRE & STRAP, COPPER



Description	Part No.	Wt.
#10 Solid Copper Wire	CW10S	32
#6 Solid Copper Wire	CW6S	80
#4 Stranded Copper Wire	CW4ST	129
#4 Solid Copper Wire	CW4S	127
#2 Solid Copper Wire	CW2S	201
#1/0 Stranded Copper Wire	CW1/0ST	326
#2/0 Stranded Copper Wire	CW2/0ST	411
#4/0 Stranded Copper Wire	CW4/0ST	653
2" x .021 Copper Strap	340039	168
3" x .021 Copper Strap	340040	251
8' x 24' Copper Ground Screen	340007	32

NOTE: Stock levels vary. Allow sufficient time for delivery.

GROUND LUGS & CLAMPS



Description	Part No.	Wt.
Tinned Clamp for 5/8" Copper Ground	340017T	18/100
Tinned Clamp for 3/4" Copper Ground	340016T	25/100
Ground Lug, #2 through #4/0 wire	BL250T	16/100
Ground Lug with 1/4" bolt, nut, washer #2 through #4/0 wire	BL250TA	20/100
Guy Wire Ground Clamp for use with 3/16 - 1/2 guy wire	340028	14/100
Guy Wire Ground Clamp for use with 7/8 - 1 guy wire	9842L	76/100
Guy Wire Ground Clamp for use with 9/16 - 3/4 guy wire	SSC25/875	30/100



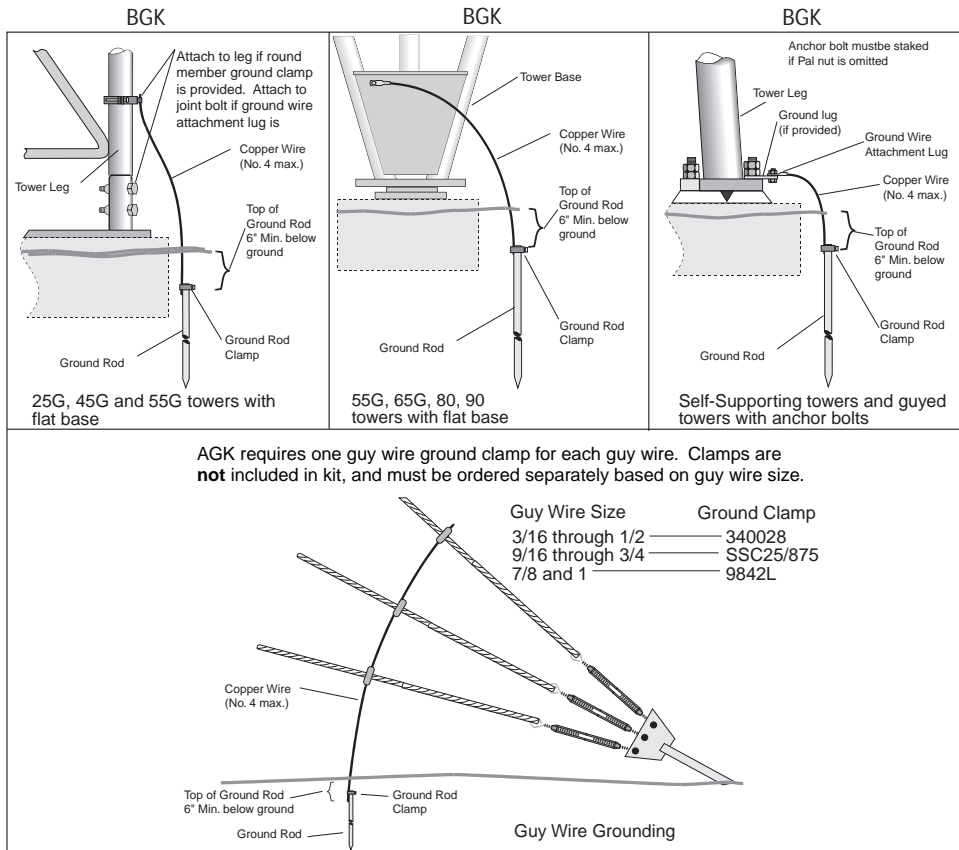
ROHN GROUNDING

GROUNDING KITS, REV. F

See drawings shown below for configurations. Note that towers and guy configuration shown are for general examples only and may not duplicate all possible installations.

AGK requires one guy wire ground clamp for each guy wire. These clamps are not included in kit, and must be ordered separately.

Description	Part No.	Wt.
Base Grounding Kit consisting of: 1- 5/8" x 8" Ground Rod 1- Rod Clamp 1- Tower Attachment Lug With Hdw. 10' - #4 Solid Copper Wire	BGK	10
Anchor Wire Grounding Kit for 3 anchors consisting of: 3- 5/8" x 8" Ground Rod 3- Rod Clamp 9 - Guy Wire Ground Clamps 45' - #6 Stranded Copper Wire	AGK	30



AGK

ROHN GROUNDING

Type EJ equalizer plates are used with eye and jaw turnbuckles.

Type EE equalizer plates are supplied in pairs for eye and eye turnbuckles.

Part number suffixes 3, 5 and 55 denote 3 or 5 holes in plates.

Type GAC30 and GAC305 rods are supplied with type EP25343 or EP25345 equalizer plates.

ANCHOR RODS

L	A	B	C	D	T	Part No.	Equalizer Plate No.	Weight
84	1		2	5/8		GAR30	EYE	9
84	2			5/8	3/16	GAC303	EE	13
84	2			5/8	3/16	GAC305	EE	14
84	2	12	2-1/2	3/4	3/8	GAC3455TOP	EJ	25
120	2-1/2	12	3	1-1/4	1/2	GAC5655TOP	EJ	65
168	3	12	4	1-7/16	3/4	GAC5755TOP	EJ	125
192	4	12	6	1-1/4	1	GAC5855TOP	EJ	220
240	4	18	6	1-7/16	1	GAC5955TOP	EJ	310

