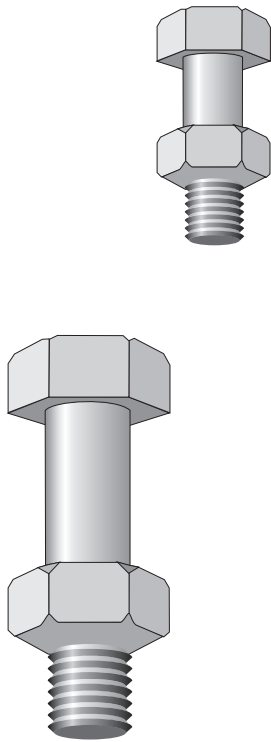


HARDWARE



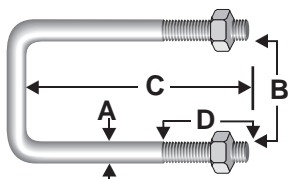
NUTS, BOLTS & WASHERS

STRUCTURAL BOLTS, HOT-DIP GALVANIZED
[HEAVY HEX BOLTS, NUTS & NUT LOCKING DEVICE]



Description	Assy. Part No.	Weight
1/2 x 1-1/4	210017GA	21/100
1/2 x 1-1/2	210018GA	22/100
1/2 x 1-3/4	210019GA	24/100
1/2 x 2	210020GA	25/100
5/8 x 1-1/2	210029GA	34/100
5/8 x 1-3/4	210030GA	36/100
5/8 x 2	210031GA	68/100
5/8 x 2-1/4	210032GA	42/100
5/8 x 2-1/2	210033GA	43/100
5/8 x 3-1/4	210072GA	45/100
3/4 x 1-3/4	210046GA	58/100
3/4 x 2	210047GA	61/100
3/4 x 2-1/4	210048GA	62/100
3/4 x 2-1/2	210048GA	66/100
3/4 x 2-3/4	210050GA	70/100
3/4 x 4-1/2	210057GA	91/100
3/4 x 5	210058GA	94/100
3/4 x 5-1/2	210059GA	104/100
7/8 x 2-1/4	210061GA	94/100
7/8 x 3-1/2	210063GA	113/100
1 x 4-1/4	210069GA	172/100
1 x 5-1/2	210070GA	197/100
1 x 6	210164GA	204/100

U-BOLTS, SQUARE BEND, HOT-DIP GALVANIZED



Assembly includes bolt, hex nuts and locking device.

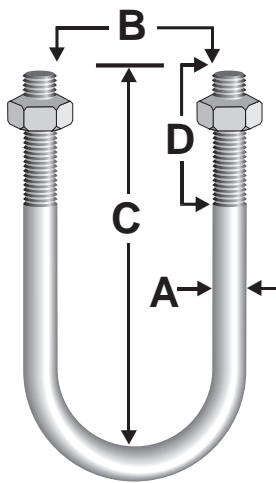
Description				Assy. Part No.	Weight
A	B	C	D		
1/2	3-1/4	4-3/8	1-1/4	JR811A	73/100
1/2	4-1/4	5-5/16	1-1/4	JR812A	87/100
1/2	4-1/4	5-13/16	1-3/4	JR812LA	91/100
1/2	6-1/4	7-13/16	1-3/4	JR815A	119/100
3/4	6-1/4	8-1/2	2-1/2	JR12685SQA	277/100



NUTS, BOLTS & WASHERS

U-BOLTS, ROUND BEND, HOT-DIP GALVANIZED

Assembly includes bolt, hex nuts and locking device.

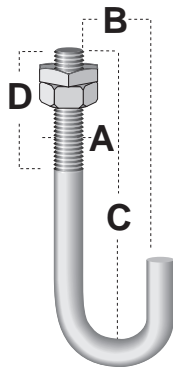


Description				Assy. Part No.	Weight
A	B	C	D		
5/16 x	1-1/2	x 2-5/8	x 1-1/4	JR51A	15/100
5/16 x	1-1/2	x 2	x 1-1/4	JR55A	14/100
5/16 x	1-11/6	x 2-1/4	x 1	JR54A	15/100
3/8 x	13/16	x 1-5/8	x 7/8	JR69A	21/100
3/8 x	1	x 2-1/4	x 1-1/4	JR67A	23/100
3/8 x	1-1/4	x 2-3/4	x 1-5/8	JR66A	31/100
3/8 x	1-1/2	x 3	x 1-3/4	JR65A	29/100
3/8 x	2-1/8	x 3	x 1-1/4	JR68A	31/100
3/8 x	2-1/2	x 4	x 2	JR60A	35/100
3/8 x	2-1/2	x 3-1/2	x 1-1/2	JR61A	33/100
3/8 x	3-1/2	x 4-5/8	x 1-5/8	JR64A	41/100
3/8 x	4	x 6	x 2-1/4	JR62A	42/100
3/8 x	4-1/2	x 6-1/2	x 2-1/4	JR63A	52/100
1/2 x	3/4	x 3-1/2	x 2-1/2	JR81A	60/100
1/2 x	2	x 3-3/4	x 1-3/4	JR810A	63/100
1/2 x	2-1/4	x 4-1/2	x 2-1/4	JR82A	71/100
1/2 x	2-1/2	x 4-1/2	x 2-1/2	JR83A	71/100
1/2 x	3	x 4-1/8	x 1-1/2	JR84A	84/100
1/2 x	3	x 5-5/8	x 3	JR845A	73/100
1/2 x	3-1/2	x 6	x 3	JR88A	88/100
1/2 x	4	x 6-1/2	x 3-1/2	JR89A	98/100
1/2 x	4-1/2	x 6	x 2-1/4	JR85A	91/100
1/2 x	5-5/8	x 8	x 3-1/4	JR86A	114/100
1/2 x	6-3/4	x 9	x 3-1/4	JR87A	127/100
1/2 x	8-3/4	x 11-1/8	x 2-1/2	JR90SA	188/100
1/2 x	10-7/8	x 13	x 2-1/2	JR110A	198/100
1/2 x	12-7/8	x 15	x 2-1/2	JR120A	243/100
3/4 x	3	x 5-3/4	x 3	JR121A	199/100
3/4 x	3-1/2	x 6-1/4	x 2-3/4	JR122A	263/100
3/4 x	4	x 6-3/4	x 2-1/2	JR123A	284/100
3/4 x	4-1/2	x 7-1/4	x 2-1/2	JR124A	280/100
3/4 x	5-5/8	x 8-5/16	x 2-1/2	JR125A	318/100
3/4 x	6-3/4	x 10	x 3-1/2	JR126STA	390/100
3/4 x	8-3/4	x 11-3/8	x 2-1/2	JR128A	424/100
3/4 x	10-7/8	x 13-3/8	x 2-5/8	JR1210A	517/100
3/4 x	12-3/4	x 15	x 2-1/2	JR1212A	591/100

U-BOLTS, ROUND BEND, ZINC PLATED

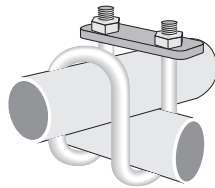
Description				Assy. Part No.	Weight
A	B	C	D		
1/4 x	1-1/4	x 2-1/4	x 1-3/8	JR45A	12/100

NUTS, BOLTS & WASHERS



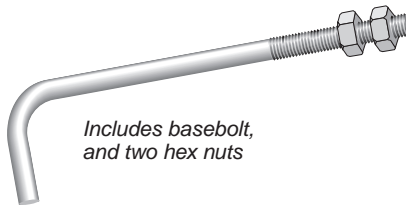
J-BOLTS, HOT-DIP GALVANIZED

Description				Assy. Part No.	Weight
A	B	C	D		
3/8 x	5/8 x	4 x	2-5/8	J44AA	16/100
3/8 x	5/8 x	5-11/16 x	2-3/4	J51A	23/100
3/8 x	5/8 x	7-9/16 x	5-1/2	J170	35/100
3/8 x	3/4 x	2 x	1-1/2	J167A	10/100



U-BOLTS, DOUBLE BEND, HOT-DIP GALVANIZED

Description	Assy. Part No.	Weight
5/16" (18 THD) U-Bolt P/N:TB5125B For 1-1/4" to 1-1/4" Tubing	TB5125BA	54/100



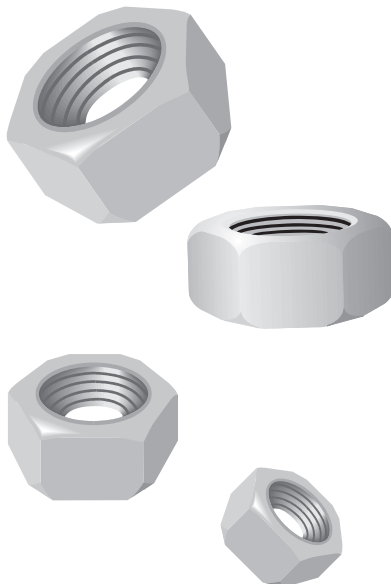
BASE BOLT, HOT-DIP GALVANIZED

Description	Part No.	Weight
1/2" x 12" + 2" (Hook)	1/2X12BB	1/2 ea.
5/8" x 12" + 3" (Hook)	5/8X12BB	1 ea.
3/4" x 16" + 3" (Hook)	3/4X16BB	1-1/2 ea.



STEP BOLT, HOT-DIP GALVANIZED

Description	Part No.	Weight
5/8 x 7 (2-1/2" THD Length)	210042G	84/100
5/8 x 7 (2-1/2" THD Length) With 2 Hex Nuts	5/8STEP	108/100



NUTS, FINISHED HEX, HOT-DIP GALVANIZED

Description	Part No.	Weight
5/16" - 18	230002	84/100
7/16" - 14	230009	3/100

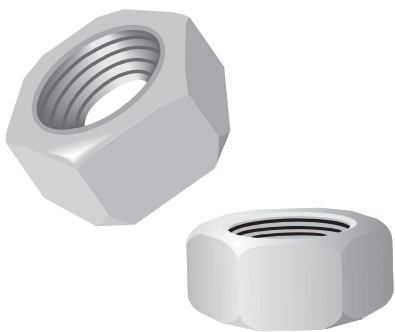
NUTS, HEAVY HEX, HOT-DIP GALVANIZED

Description	Part No.	Weight
3/8" - 16	230005	4/100
1/2" - 13	110143	8/100
5/8" - 11	110146	12/100
3/4" - 10	230020	19/100
7/8" - 9	110149	29/100
1" - 8	110150	41/100

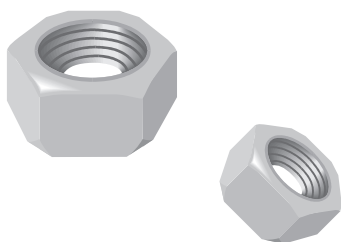


NUTS, BOLTS & WASHERS

NUTS, ANCO LOCK, HOT-DIP GALVANIZED

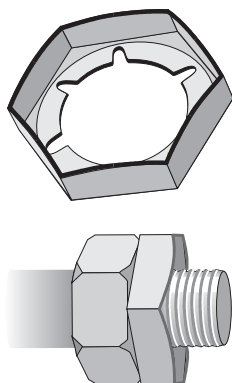


Description	Part No.	Weight
3/8" - 16	230008	4/100
1/2" - 13	110581	8/100
5/8" - 11	110510	12/100
3/4" - 10	110511	19/100
7/8" - 9	110512	29/100
1" - 8	110513	41/100



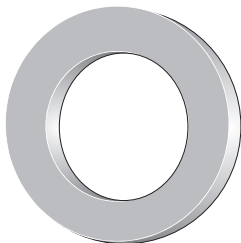
NUTS, FINISHED HEX

Description	Part No.	Weight
1/4" - 20 (Zinc Plated)	240005	1/100
1/4" - 28 (Zinc Plated)	240009	1/100
5/16" - 24 (Zinc Plated)	240016	1/100
3/8" - 16 (Zinc Plated)	240021	2/100
7/16" - 14 (Hot-Dip Galvanized)	230009	3/100
5/16" - 18 (Hot-Dip Galvanized)	230002	84/100



PAL NUTS, HOT-DIP GALVANIZED

Description	Part No.	Weight
3/8"	110159	1/100
1/2"	110160	1/100
5/8"	110161	1/100
3/4"	110162	2/100
7/8"	110163	3/100
1"	110164	5/100



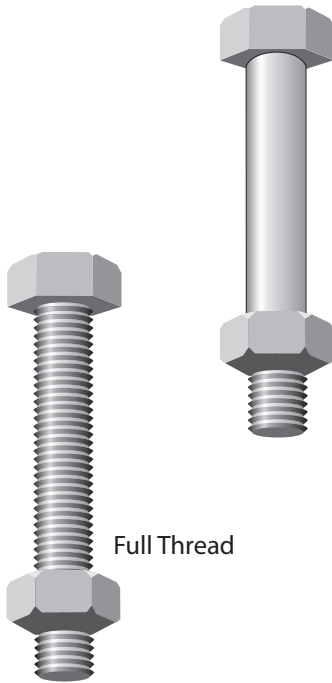
FLAT WASHERS, HOT-DIP GALVANIZED

Description	Part No.	Weight
5/16" (SAE)	250005G	1/100
3/8"	250008G	1/100
9/16" (SAE)	250011G	2/100
5/8"	250012G	3/100
3/4"	250017G	5/100
7/8" (SAE)	250032G	6/100
1"	250075G	8/100



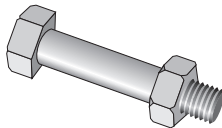
NUTS, BOLTS & WASHERS

GRADE 5 CAPSCREWS, HOT-DIP GALVANIZED [CAPSCREW, NUT & NUT LOCKING DEVICE]



Description	Assy. Part No.
5/16 x 2-3/8	210003GA
3/8 x 1-1/4	210005GA
3/8 x 1-1/2	210008GA
3/8 x 2	210009GA
3/8 x 2-1/2	210011GA
3/8 x 2-1/2 (Full Thread)	210176GA
3/8 x 4	210014GA
3/8 x 4 (Full Thread)	210013GA
7/16 x 2-1/2	210016GA
5/8 x 1-3/4	210146GA
5/8 x 2	210140GA
5/8 x 3-1/4	210036GA
5/8 x 3-3/4	210038GA
3/4 x 4-1/2	210091GA
7/8 x 3	210062GA

GRADE 5 CAPSCREWS, ZINC PLATED



Description	Capscrew Part No.	Hex Nut Part No.
1/4 - 28 x 1-1/2	220029	240009
5/16 - 24 x 1-1/2	220037	240016