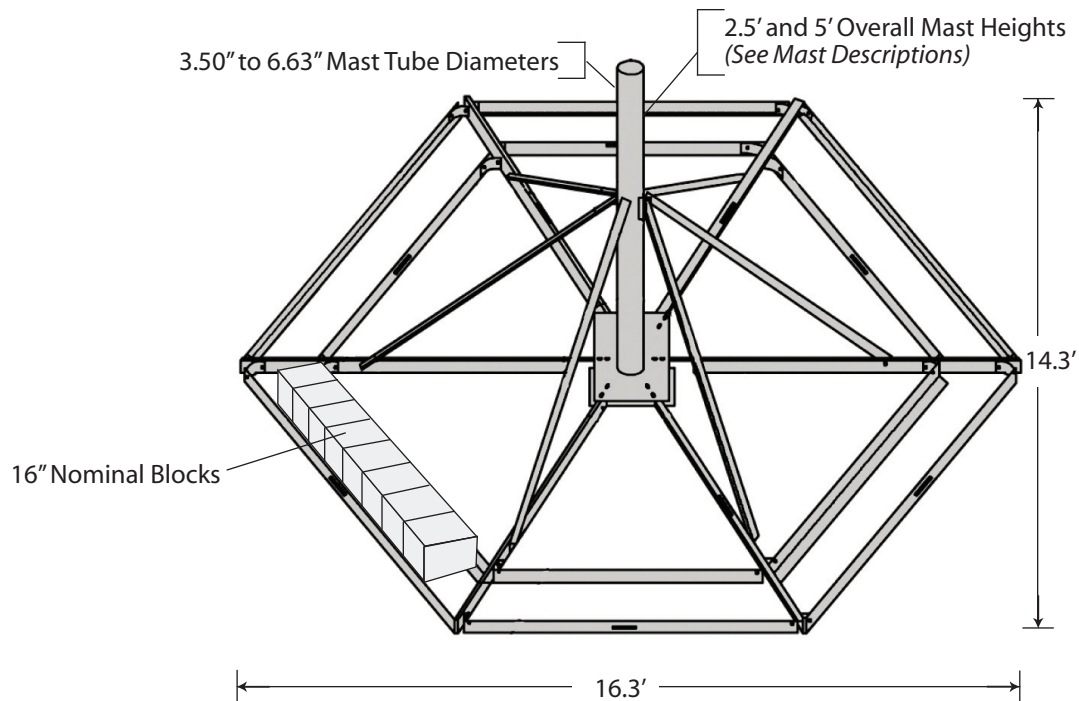


AAGM NON-PENETRATING

The AAGM mount is capable of supporting dishes with diameters up to 10 feet. The AAGM mount is hot-dip galvanized after fabrication for corrosion protection.

Order (1) optional AGMMAT (1/8" thick) or (1) optional AGMPAD (3/8" thick) for a protective barrier between the mount and the roof.
Order (1) optional SCK150 safety cable kit (3/8" x 150').

Refer to page 268 for ballast requirements.



MAST SPECIFICATIONS

Mount Part No.	Mast Part No.	Mast Description & Height
AAGM35	FYS75	3.50" O.D. x 0.216" wall x 4.5'
AAGM40	FYS76	4.00" O.D. x 0.226" wall x 4.5'
AAGM45	FYS77	4.50" O.D. x 0.237" wall x 4.5'
AAGM55	FYS78	5.56" O.D. x 0.258" wall x 4.5'
AAGM6560	FYS96	6.63" O.D. x 0.280" wall x 5.0'

AAGM 4.5 FT DISH ELEVATION BALLAST REQUIREMENTS

Dish Diameter	Ballast (LBS)	Zero Velocity Load (PSF)	Vmax (MPH)	Vs (MPH)		
				EL=0°	EL=20°	EL=40°
4' (1.2 m)	1000	6.0	135	91	93	101
	1500	9.0	164	111	114	123
	2000	12.0	187	128	132	142
	2500	15.1	207	143	147	159
	3000	18.1	225	157	161	174
	3500	21.1	240	170	174	188
	4000	24.1	250	181	186	201
	5000	30.1	250	203	208	225
6000	36.1	250	222	228	246	
6' (1.8 m)	1000	6.0	90	60	62	67
	1500	9.0	109	74	76	82
	2000	12.0	125	85	88	95
	2500	15.1	138	96	98	106
	3000	18.1	150	105	108	116
	3500	21.1	160	113	116	125
	4000	24.1	165	121	124	134
	5000	30.1	165	135	139	150
6000	36.1	165	148	152	164	
8' (2.4 m)	1000	6.0	68	45	47	50
	1500	9.0	82	56	57	62
	2000	12.0	94	64	66	71
	2500	15.1	104	72	74	79
	3000	18.1	112	79	81	87
	3500	21.1	120	85	87	94
	4000	24.1	125	91	93	101
	5000	30.1	125	101	104	112
6000	36.1	125	111	114	123	
10' (3.0 m)	1000	6.0	46	31	33	40
	1500	9.0	56	38	40	49
	2000	12.0	64	44	46	57
	2500	15.1	71	49	52	64
	3000	18.1	77	54	57	70
	3500	21.1	82	58	61	75
	4000	24.1	85	62	65	80
	5000	30.1	85	69	73	85
6000	36.1	85	76	80	85	

EL = Dish antenna azimuth angle with horizontal.

Vmax = Effective wind velocity based on strength or overturning.

Vs = Effective wind velocity resulting in sliding on a flat surface with a .50 coefficient of friction.

NOTE: Mast strength may govern antenna capacity.