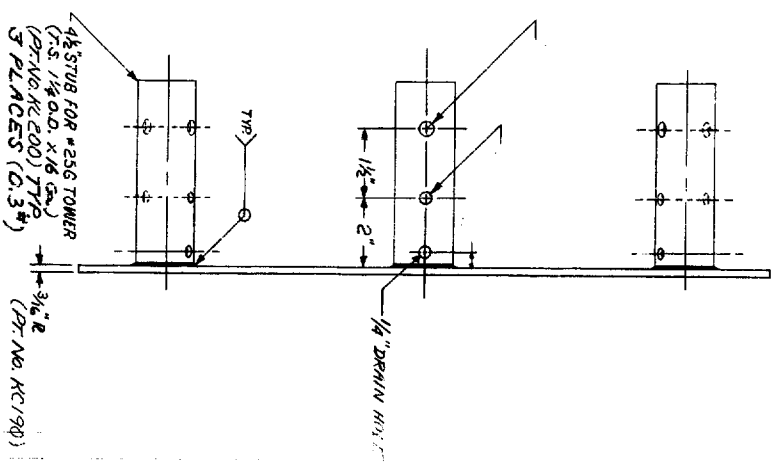


STAMP PIN APL 256



DETAILED AS BUILT

NO.	REVISIONS	DATE	BY
1	ADD WTS	6-27-80	JES
2	ADD PT. NOS.	10-21-77	RKH
3	ADD STUB SIZE	4-29-75	WBL

ROHN MANUFACTURING
DIVISION OF

TITLE
Beacon Plate Fabrication for Na.
256 Tower - Stamp Pin No. APL256

THIS DRAWING IS THE PROPERTY OF ROHN. IT IS NOT TO BE REPRODUCED, COPIED, OR TRACED IN WHOLE OR IN PART WITHOUT THE WRITTEN CONSENT OF ROHN.

DATE	BY	DESCRIPTION	FILE NO.
1-14-75	RDB	NONE	
7-16-75	WBL		
7-17-75	WBL		