

FILE NO.		Standard-65G		
REVISIONS				
REV.	DESCRIPTION	DWN	CHK	APP
2	REDRAWN INTO AUTOCAD FORMAT	KB2	M.F	HA
DATE: Jan/10/2007				

DWG REFERENCE	

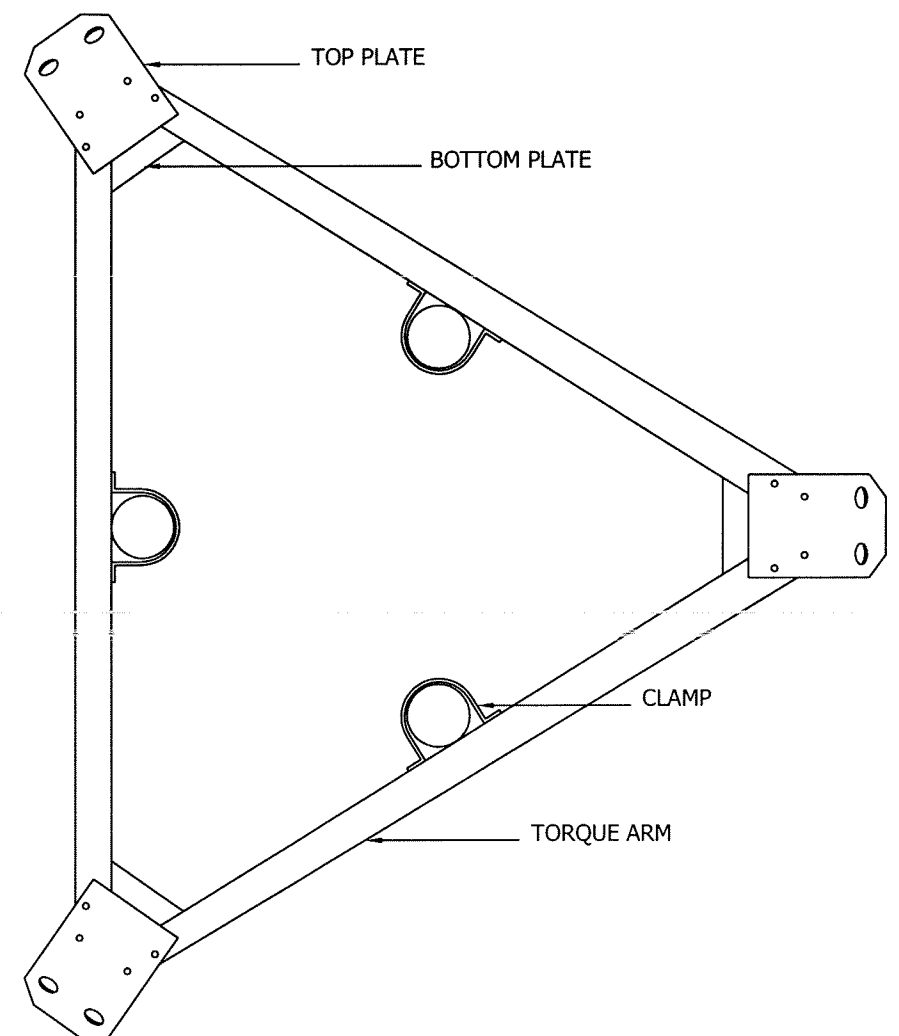


  
 6718 WEST PLANK ROAD  
 PEORIA, IL 61604  
 TOLL FREE 800-727-ROHN

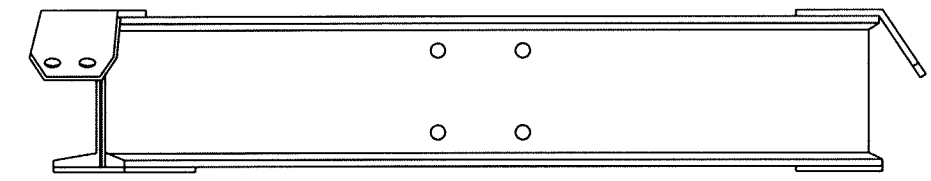
THIS DRAWING IS THE PROPERTY OF ROHN. IT IS NOT TO BE REPRODUCED, COPIED OR TRACED IN WHOLE OR IN PART WITHOUT OUR WRITTEN CONSENT.

**TORSION RESISTOR ASSEMBLY**

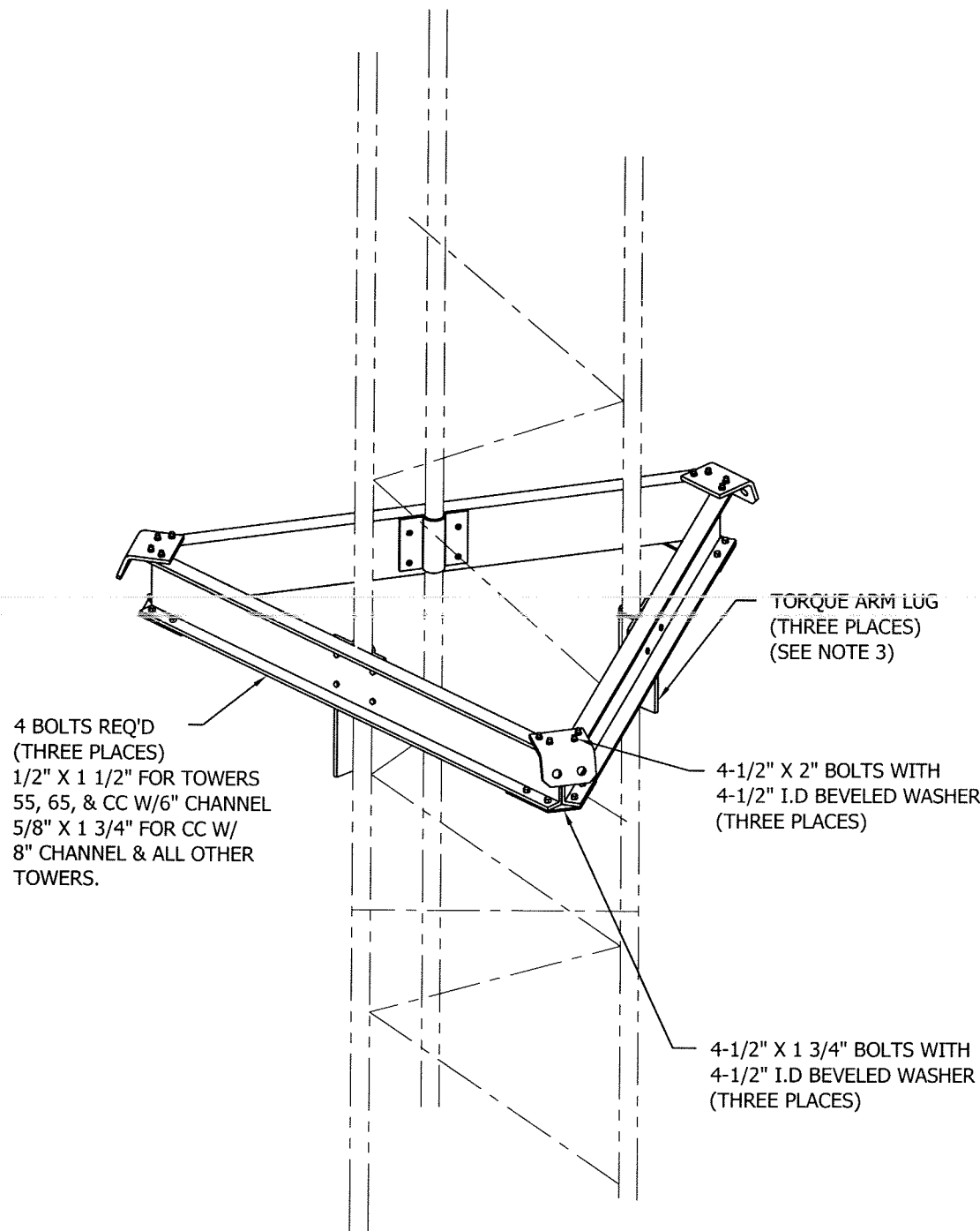
DWN: RLH	CHK'D: AJG	DATE: Jul/25/1969
ENG'R: CW		
DRAWING NO: C690737		REV: 2



**PLAN**



**ELEVATION**



**TORQUE ARM ASSEMBLY**

4 BOLTS REQ'D (THREE PLACES)  
 1/2" X 1 1/2" FOR TOWERS 55, 65, & CC W/6" CHANNEL  
 5/8" X 1 3/4" FOR CC W/ 8" CHANNEL & ALL OTHER TOWERS.

TORQUE ARM LUG (THREE PLACES) (SEE NOTE 3)

4-1/2" X 2" BOLTS WITH 4-1/2" I.D BEVELED WASHER (THREE PLACES)

4-1/2" X 1 3/4" BOLTS WITH 4-1/2" I.D BEVELED WASHER (THREE PLACES)

- NOTES:**
1. ALL BOLTS ARE HIGH STRENGTH.
  2. THIS TORQUE ARM IS AVAILABLE FOR TOWER MODELS 55, 65, 82, 83, 84, 85, CC & DD.
  3. TORQUE ARM LUGS ARE PROVIDED FOR TOWERS 55, 65, CC, & DD ONLY. TORQUE ARM BEARS ON BRACE CLIP ON MODEL 80 TOWER.

Jan/21/2007 3:47:47 PM

lirection