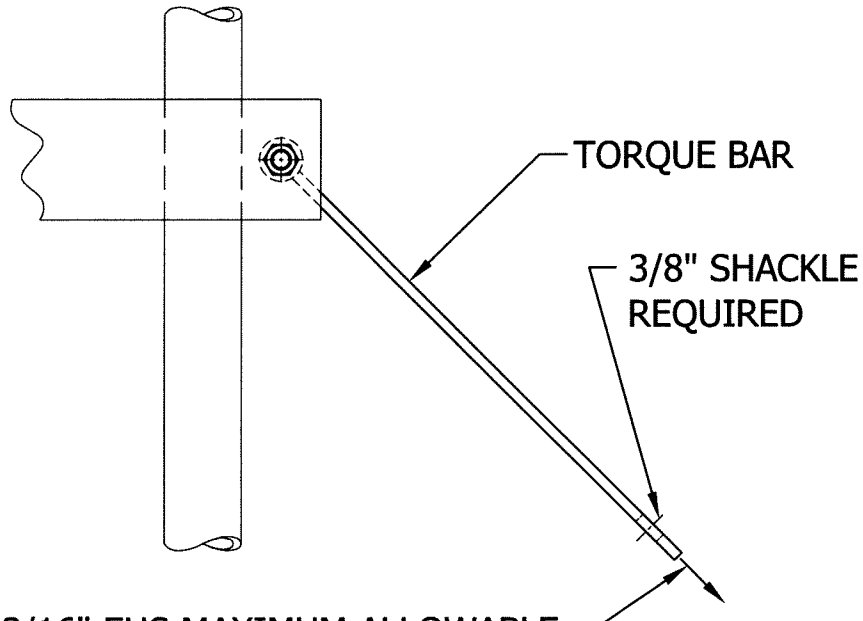


**TB25D, TB45D & TB55D  
ASSEMBLY DETAILS**



**3/16" EHS MAXIMUM ALLOWABLE  
GUY WIRE TO BE USED W/TORQUE  
BARS TB25D, TB45D & TB55D**

FILE NO. **Standard-55G**

REVISIONS				
REV.	DESCRIPTION	DWN	CHK	APP
1	ADDED TB55D	JWS	KTL	HA
DATE: Nov/21/2006				

DWG REFERENCE

**ROHN**  
PRODUCTS  
6718 WEST PLANK ROAD  
PEORIA, IL 61604  
TOLL FREE 800-727-ROHN

THIS DRAWING IS THE PROPERTY OF ROHN. IT IS NOT TO BE REPRODUCED, COPIED OR TRACED IN WHOLE OR IN PART WITHOUT OUR WRITTEN CONSENT.

**TORSION RESISTOR  
TB25D, TB45D & TB55D ASSY DETAILS**

DWN: JDA    CHKD: JDM    DATE: Aug/24/2006

ENGR: H.A

DRAWING NO: B060625    REV: 1