

1

2

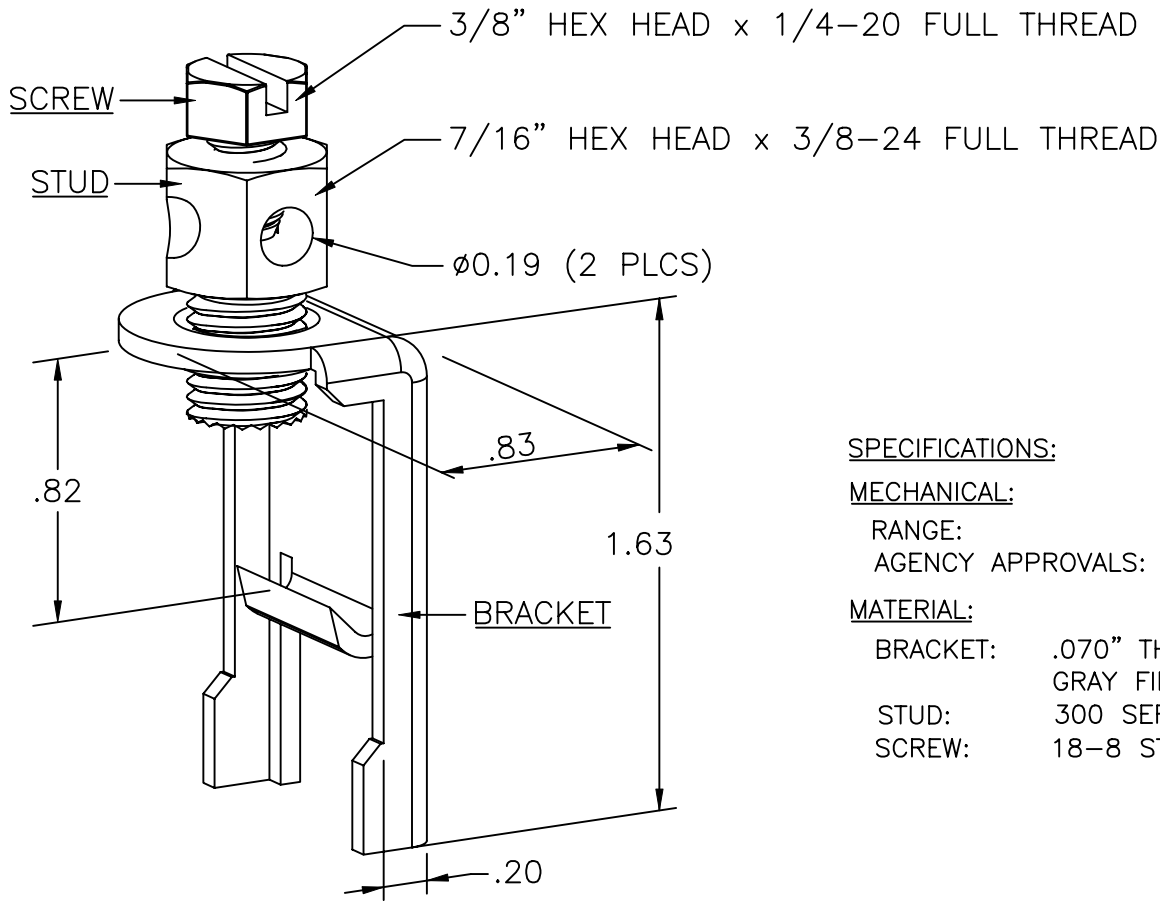
3

4

5

COMPONENT SPECIFICATION

USE OR REPRODUCTION OF THIS DRAWING FOR THE PURPOSE OF MANUFACTURING THIS ARTICLE OR ANY ARTICLES SHOWN FOR ANY PURPOSE IS STRICTLY PROHIBITED WITHOUT WRITTEN PERMISSION FROM SENIOR INDUSTRIES, INC.



SPECIFICATIONS:

MECHANICAL:

RANGE: #14-#6 AWG SOLID COPPER GROUND WIRE
AGENCY APPROVALS: UL/CUL FILE NO. E137532

MATERIAL:

BRACKET: .070" THICK 300 SERIES STAINLESS STEEL, METER BOX GRAY FINISH, NON-CHIP PAINT OR POWDER COAT.
STUD: 300 SERIES STAINLESS STEEL
SCREW: 18-8 STAINLESS STEEL, GREEN HEAD

NOTE: FOR USE ON NARROW SIDE TOP LIP METER BOX CLAMPS



SENIOR INDUSTRIES, INC.

DESIGNED:			SYM.	DATE:	DESCRIPTION OF REVISIONS:	DRAWN:	APPD:	TOLERANCE:	PART NO:	SI-2167SLM
DRAWN:	HV	11/21/05	▲	08.14.09	NEW	GAT	JF			
CHECKED:	GAT	08/14/09	▲	08.23.11	Corr'd dims	MAW	JF	TO 3 DECIMAL PLACES: ±	SHEET:	1 OF 1
APPROVED:	JF	08/14/09	▲							
3RD ANGLE		UNIT:	IN	SCALE:		REV.	B			