

Product Data Sheet

☎ 1-855-276-(KPPA) 5772 or 780-702-7577
 📧 info@kpperformance.ca
 ✉ 15497 117 Ave, Edmonton, AB T5M3X4, Canada



KP-5PDC5C-1

1-Foot Parabolic Antenna 4900MHz–6400MHz with Mimosa® C5c™ Radio Adapter

- Simplified installation with patent pending quick-connect waveguide technology and weatherproofed, cable-less, push-in adapter designed specifically for the Mimosa® C5c™ radio.
- Optimized front to back and side lobes suppression eliminates interference
- Heavy-duty bracket with fine elevation and azimuth adjustment

Electrical Specification

Frequency Band	MHz	4900-5400	5400-5900	5900-6400
Gain	dBi	22.5±0.75	24.0±0.5	24.5±0.8
Polarization		H/V or ±45 Slant		
Horizontal HPBW	Degree	10.0±0.4	8.8±0.2	8.0±0.2
Vertical HPBW	Degree	10.1±0.3	8.7±0.2	7.9±0.2
Front-to-Back Ratio @ 180°±30°	dB	35	35	35
Cross-polarization Ratio over HPBW	dB	25	25	25
VSWR		1.5 typ 1.7 max	1.3 typ 1.5 max	1.3 typ 1.8 max
Return Loss	dB	14 typ 12 max	18 typ 14 max	18 typ 11 max
Port-to-Port Isolation	dB	30	30	23
Max. Input Power per Port	W	25	25	25
Impedance	Ohms		50	

Mechanical Specifications

Diameter, nominal	15"
Antenna Input	Mimosa® C5c Radio™ Adapter
Dish Main Reflector Color	Grey
Radio Adapter Color	Grey
Wind Load, Axial	650 N 146 lbf
Wind Velocity, Operational	145 km/h 90 mph
Wind Velocity, Survival	201 km/h 125 mph
Temperature Range	-40° to +60° C -40° to +140° F

Bracket Specifications

Fine Azimuth Adjustment	±20°
Fine Elevation Adjustment	±22°
Mounting Type	Pipe Mount
Net Weight	6kg 13.2 lb
Mounting pole diameter	19 mm – 114 mm 0.75 in – 4.5 in
Antenna-to-Pipe Distance	172 mm 6.8 in

ANTENNAS ENGINEERED & MANUFACTURED TO EXCEED INDUSTRY STANDARDS

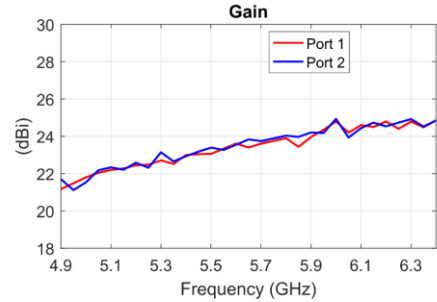
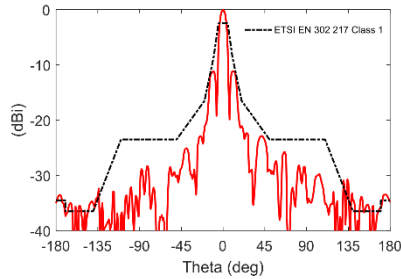
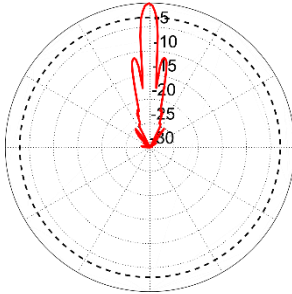
Product Data Sheet

☎ 1-855-276-(KPPA) 5772 or 780-702-7577
 ✉ info@kpperformance.ca
 ✉ 15497 117 Ave, Edmonton, AB T5M3X4, Canada

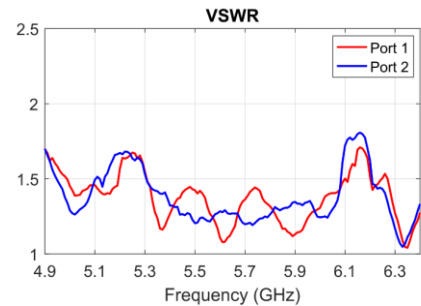
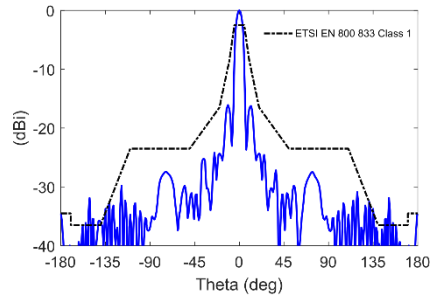
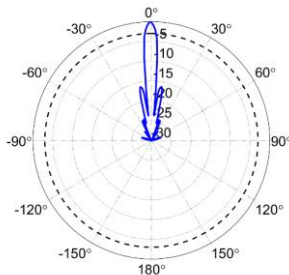


Graphical Data

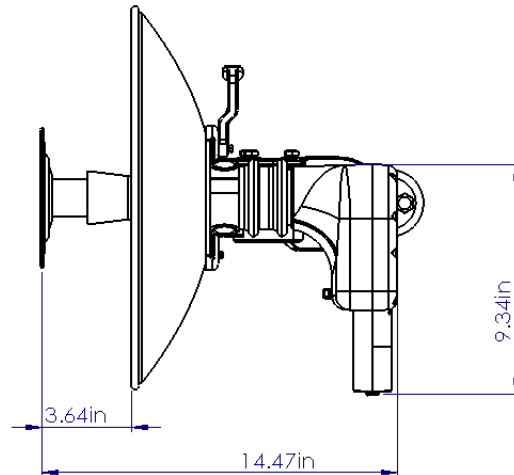
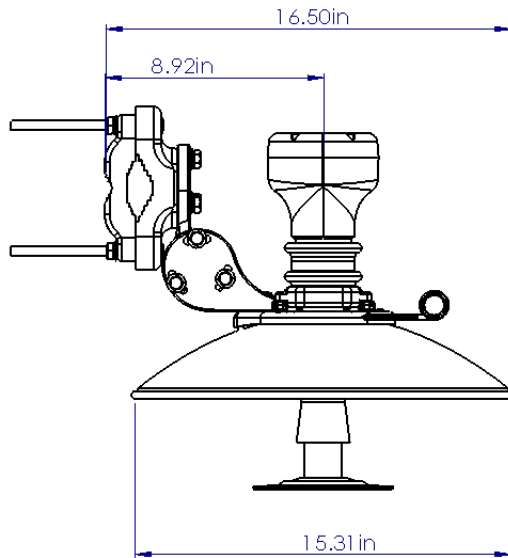
Azimuth Patterns



Elevation Patterns



Mechanical Drawings



*ALL UNITS IN INCHES

Appendix

HPBW: Average and variation of the antenna's 3dB beamwidth (half power beamwidth) in its horizontal (Azimuth) or vertical (Elevation) pattern.

Gain: Antenna's average gain and variation in each frequency band.

Front to Back Ratio @ $180^\circ \pm 30^\circ$: Difference between the antenna's maximum gain and the maximum gain in the antenna's back lobe over $\pm 30^\circ$ angles.

Cross-polarization Ratio over HPBW (dB): Maximum difference between the co-polarization and cross-polarization gain across the sector's HPBW.

Wind load, Axial: Force applied to the face of the antenna due to wind at the specified operational wind speed.

ANTENNAS ENGINEERED & MANUFACTURED TO EXCEED INDUSTRY STANDARDS