

8 7 6 5 4 3 2 1

D

D

C

C

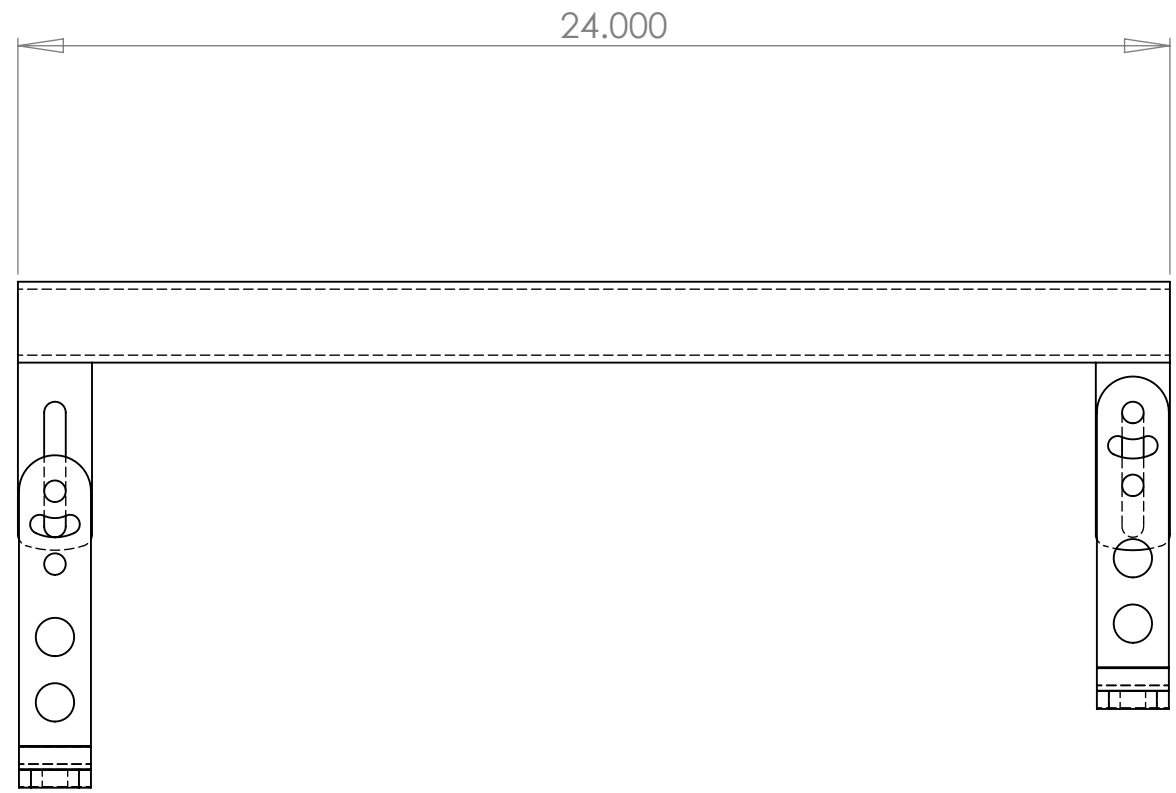
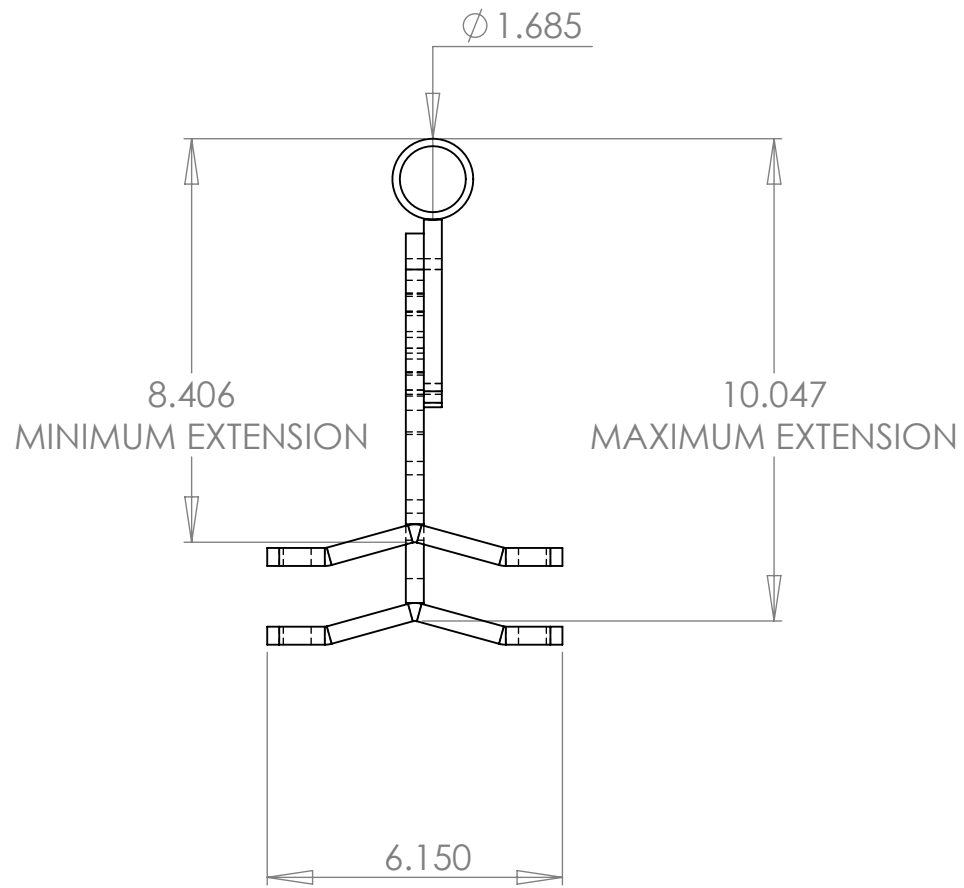
B

B

A

A

8 7 6 5 4 3 2 1



PROPRIETARY AND CONFIDENTIAL
 THE INFORMATION CONTAINED IN THIS DRAWING IS THE SOLE PROPERTY OF WB MFG. ANY REPRODUCTION IN PART OR AS A WHOLE WITHOUT THE WRITTEN PERMISSION OF WB MFG IS PROHIBITED.

		UNLESS OTHERWISE SPECIFIED:		NAME	DATE
		DIMENSIONS ARE IN INCHES	DRAWN		
		TOLERANCES:	CHECKED		
		FRACTIONAL \pm	ENG APPR.		
		ANGULAR: MACH \pm BEND \pm	MFG APPR.		
		TWO PLACE DECIMAL \pm	Q.A.		
		THREE PLACE DECIMAL \pm	COMMENTS:		
		INTERPRET GEOMETRIC TOLERANCING PER:			
		MATERIAL			
		STEEL			
		FINISH			
		HOT DIP GALV			
NEXT ASSY	USED ON	DO NOT SCALE DRAWING			
APPLICATION					
TITLE:			M-TOW-P		
SIZE	DWG. NO.	REV			
B		A			
SCALE: 1:4	WEIGHT:	SHEET 1 OF 1			