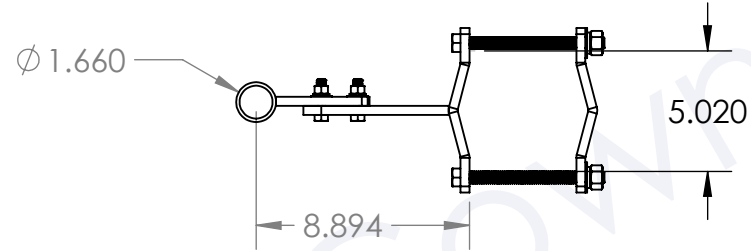
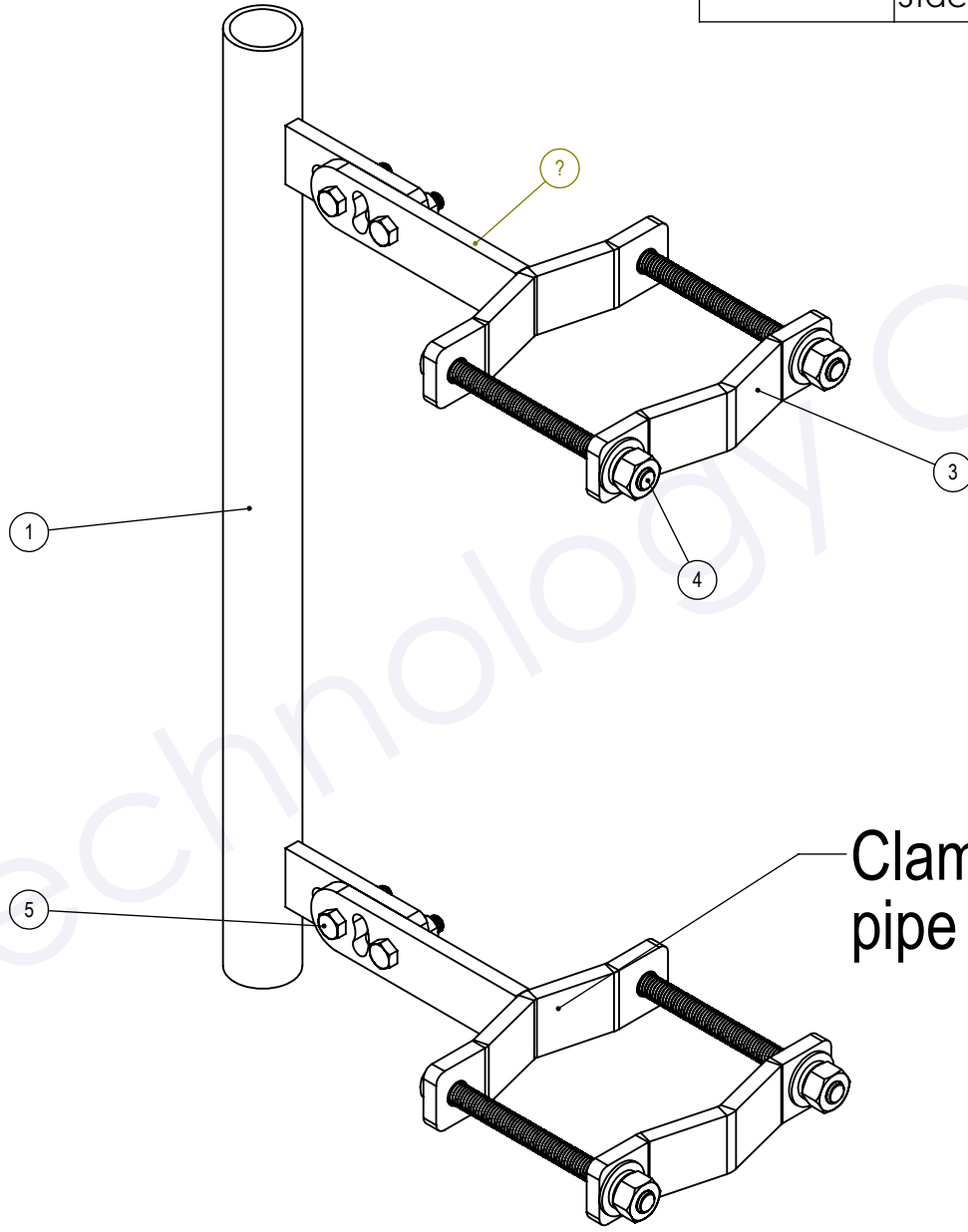
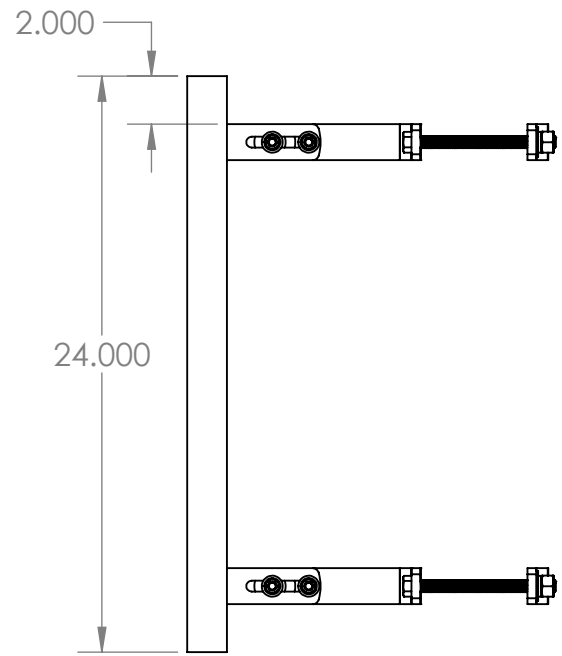


| ITEM NO. | PART NUMBER | DESCRIPTION | QTY. |
|----------|----------------------------|--------------------------|------|
| 1 | 850-M-TOW-24 | M-TOW 24 Inch Pipe Assy | 1 |
| 2 | 850-M-TOW-LSB | M-TOW Clamp and LSB Assy | 2 |
| 3 | 850-M-TOW-FT Rev B | Clamp 5" | 2 |
| 4 | .5x 5.3 gap Bolt Stack | Same bolt assy as M-TOW | 4 |
| 5 | .375 x .755 gap Bolt Stack | .375 Bolt Stack | 4 |


D
C
B
A



Clamp accomodates 1.25" to 5" pipe and tower leg diameters

PROPRIETARY AND CONFIDENTIAL
 THE INFORMATION CONTAINED IN THIS DRAWING IS THE SOLE PROPERTY OF MCCOWN TECHNOLOGY CORP. ANY REPRODUCTION IN PART OR AS A WHOLE WITHOUT THE WRITTEN PERMISSION OF MCCOWN TECHNOLOGY CORP IS PROHIBITED.

| | | | | | |
|-------------|---------|--------------------------------------|--|-----------|---------|
| | | UNLESS OTHERWISE SPECIFIED: | | NAME | DATE |
| | | DIMENSIONS ARE IN INCHES | | DRAWN | CM |
| | | TOLERANCES: | | CHECKED | 1-30-17 |
| | | FRACTIONAL ± | | ENG APPR. | |
| | | ANGULAR: MACH ± BEND ± | | MFG APPR. | |
| | | TWO PLACE DECIMAL ± | | Q.A. | |
| | | THREE PLACE DECIMAL ± | | COMMENTS: | |
| | | INTERPRET GEOMETRIC TOLERANCING PER: | | | |
| | | MATERIAL | | | |
| | | Carbon Steel | | | |
| | | FINISH | | | |
| | | Hot Dipped Galvanize | | | |
| NEXT ASSY | USED ON | | | | |
| APPLICATION | | DO NOT SCALE DRAWING | | | |

| | | | | | |
|-------------------------------------|----------|---|--|---------------------------------------|--|
| 801-250-9503 | |  | | 8400 N Hwy 36 Lakepoint Utah 84074 | |
| TITLE: M-TOW-P-24 Reference Drawing | | | | | |
| SIZE | DWG. NO. | | | REV | |
| B | | | | B | |
| SCALE: 1:8 | WEIGHT: | | | SHEET 1 OF 1 | |

8 7 6 5 4 3 2 1