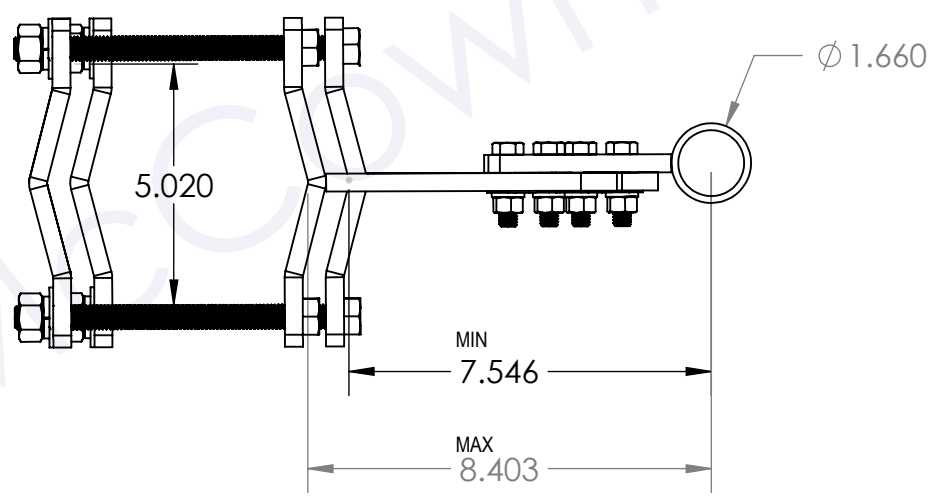
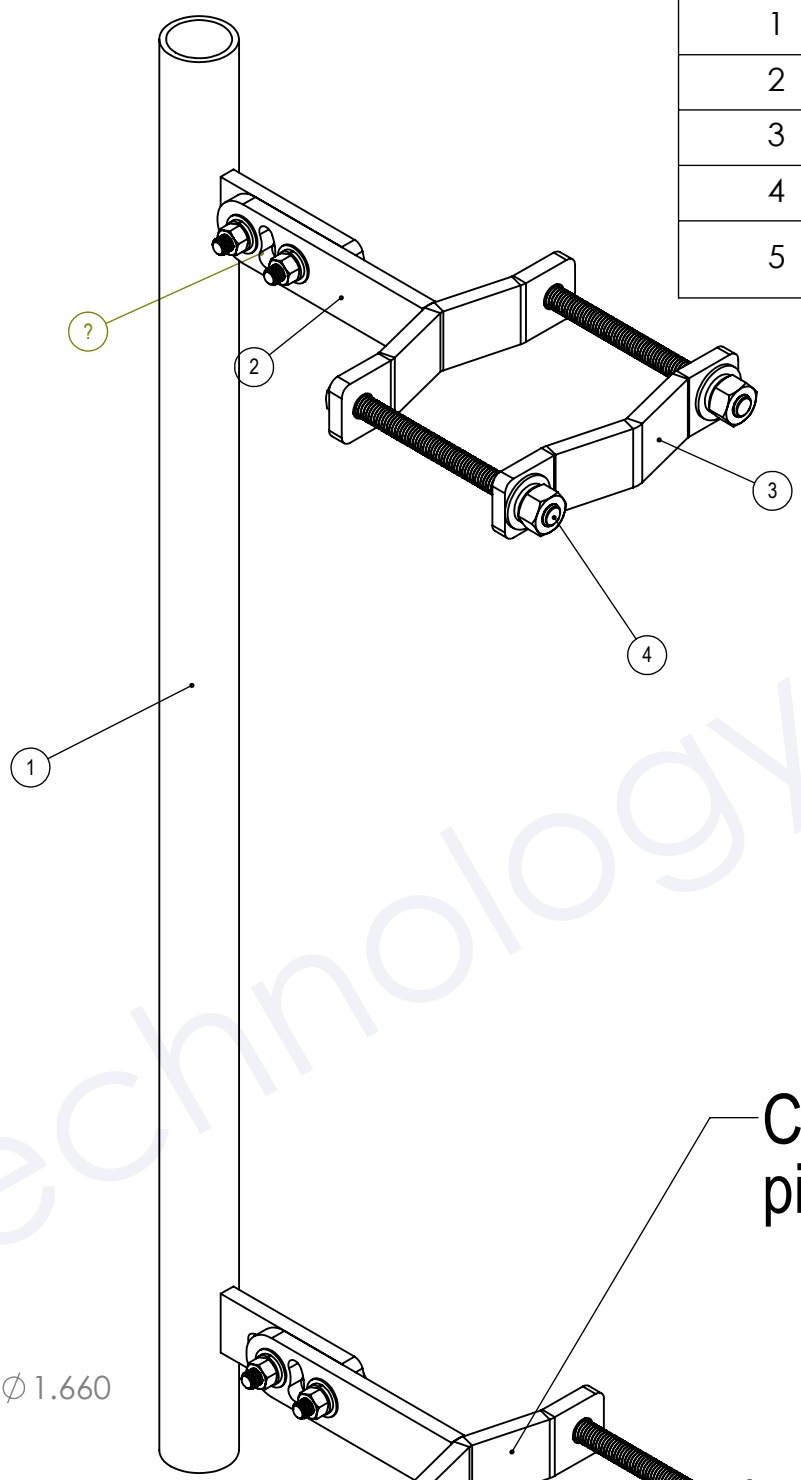
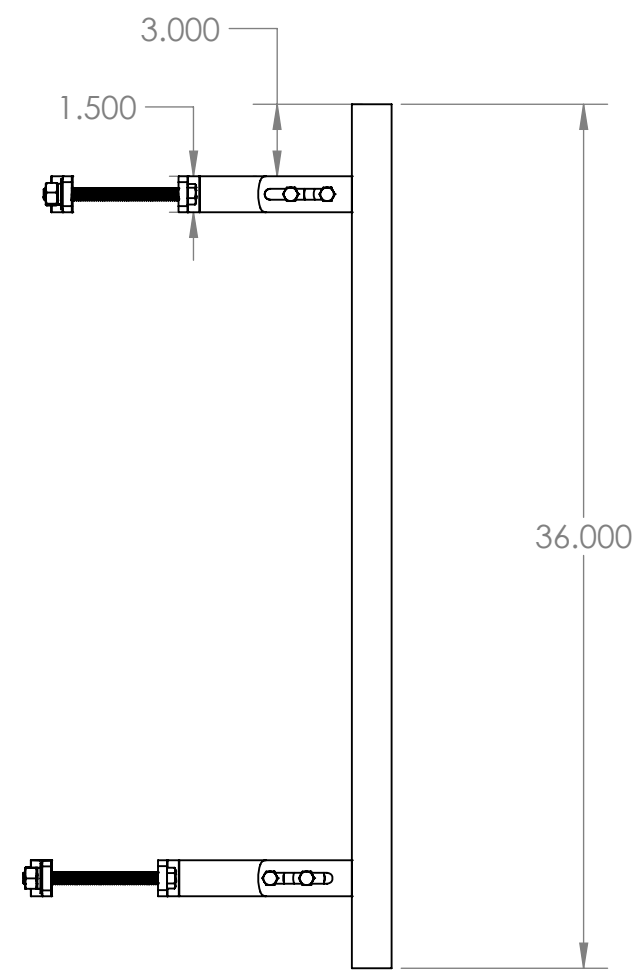


8 7 6 5 4 3 2 1

ITEM NO.	PART NUMBER	DESCRIPTION	QTY.
1	850-MTOW-P36 Rev B	36 Inch Pipe Assembly	1
2	850-M-TOW-LSB	M-TOW Clamp and LSB Assy	2
3	850-M-TOW-FT Rev B	Clamp 5"	2
4	.5x 5.3 gap Bolt Stack	Same bolt assy as M-TOW	4
5	.375 x .755 gap Bolt Stack	.375 Bolt Stack	4



Clamp accomodates 1.25" to 5" pipe and tower leg diameters.

PROPRIETARY AND CONFIDENTIAL
 THE INFORMATION CONTAINED IN THIS DRAWING IS THE SOLE PROPERTY OF MCCOWN TECHNOLOGY CORP. ANY REPRODUCTION IN PART OR AS A WHOLE WITHOUT THE WRITTEN PERMISSION OF MCCOWN TECHNOLOGY CORP IS PROHIBITED.

UNLESS OTHERWISE SPECIFIED:
 DIMENSIONS ARE IN INCHES
 TOLERANCES:
 FRACTIONAL ±
 ANGULAR: MACH ± BEND ±
 TWO PLACE DECIMAL ±
 THREE PLACE DECIMAL ±

INTERPRET GEOMETRIC TOLERANCING PER:
 MATERIAL
 Carbon Steel
 FINISH
 Hot Dipped Galvanized
 DO NOT SCALE DRAWING

DRAWN	NAME	DATE
CHECKED	CM	1-30-17
ENG APPR.		
MFG APPR.		
Q.A.		
COMMENTS:		

801-250-9503

mccowntech.com

8400 N Hwy 36 Lakepoint Utah 84074

TITLE:
 M-TOW-P-36 Reference Drawing

SIZE B	DWG. NO.	REV B
------------------	----------	----------

SCALE: 1:12 WEIGHT: 17# SHEET 1 OF 1

8 7 6 5 4 3 2 1