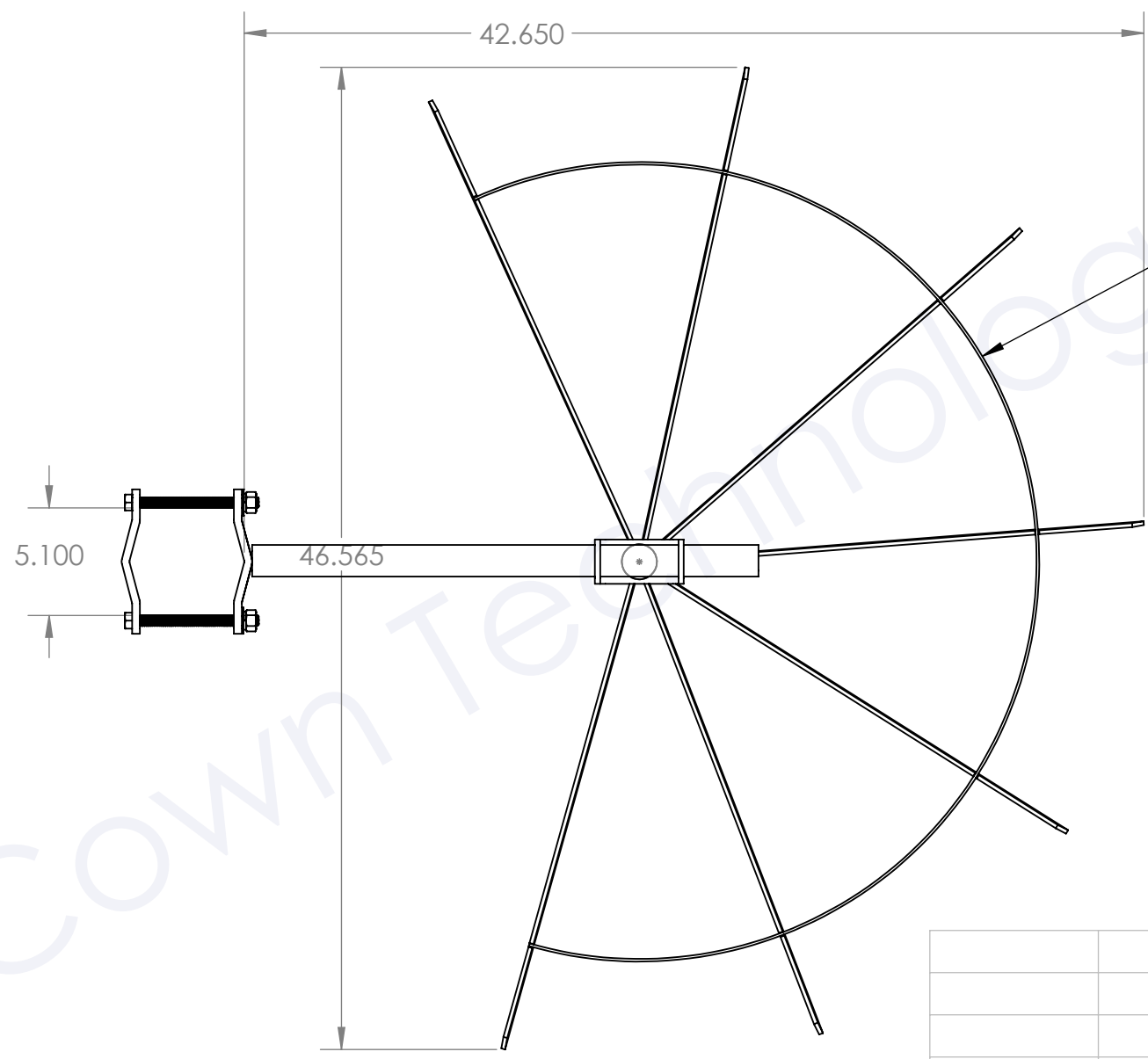
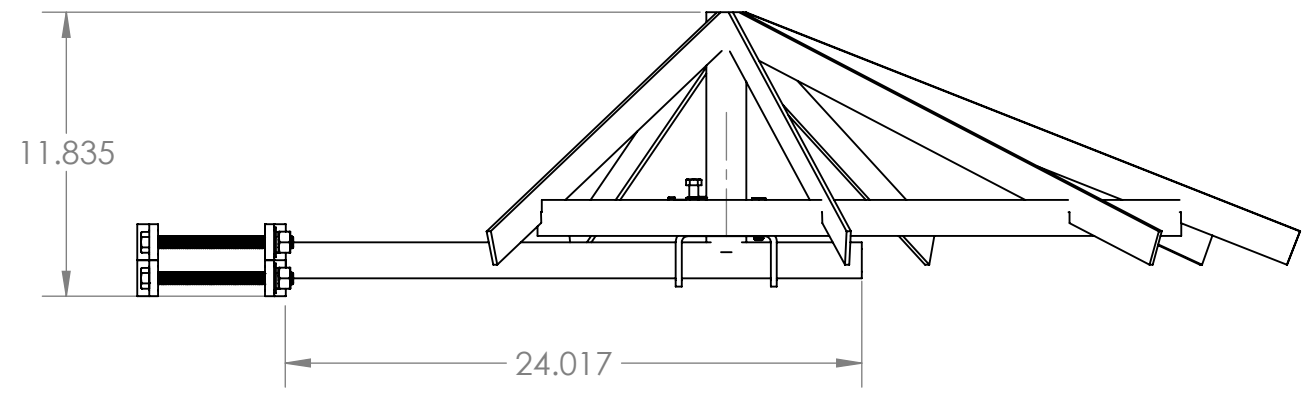


8 7 6 5 4 3 2 1

D
C
B
A

D
C
B
A



Mesh omitted for clarity

McCown Technology Corporation

PROPRIETARY AND CONFIDENTIAL
THE INFORMATION CONTAINED IN THIS DRAWING IS THE SOLE PROPERTY OF MCCOWN TECHNOLOGY CORP. ANY REPRODUCTION IN PART OR AS A WHOLE WITHOUT THE WRITTEN PERMISSION OF MCCOWN TECHNOLOGY CORP IS PROHIBITED.

		UNLESS OTHERWISE SPECIFIED:		NAME	DATE
		DIMENSIONS ARE IN INCHES		DRAWN	cm
		TOLERANCES:		CHECKED	1/22/18
		FRACTIONAL ±		ENG APPR.	
		ANGULAR: MACH ± BEND ±		MFG APPR.	
		TWO PLACE DECIMAL ±		Q.A.	
		THREE PLACE DECIMAL ±		COMMENTS:	
		INTERPRET GEOMETRIC TOLERANCING PER:			
		MATERIAL			
		Carbon Steel			
NEXT ASSY		USED ON			
APPLICATION		DO NOT SCALE DRAWING			
				8400 N Hwy 36 Lakepoint Utah 84074	
				TITLE:	
				SIZE B DWG. NO. M-TOW-ICE-MESH REV	
				SCALE: 1:16 WEIGHT: 47 SHEET 1 OF 1	

801-250-9503

