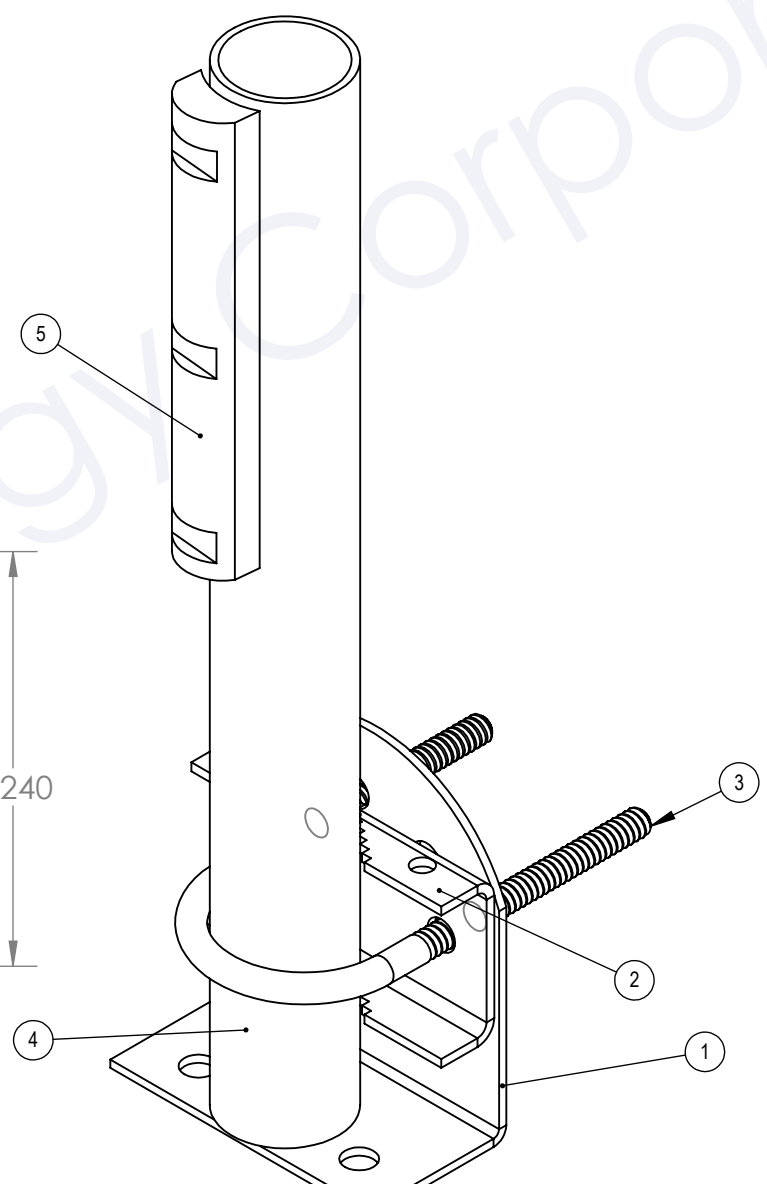
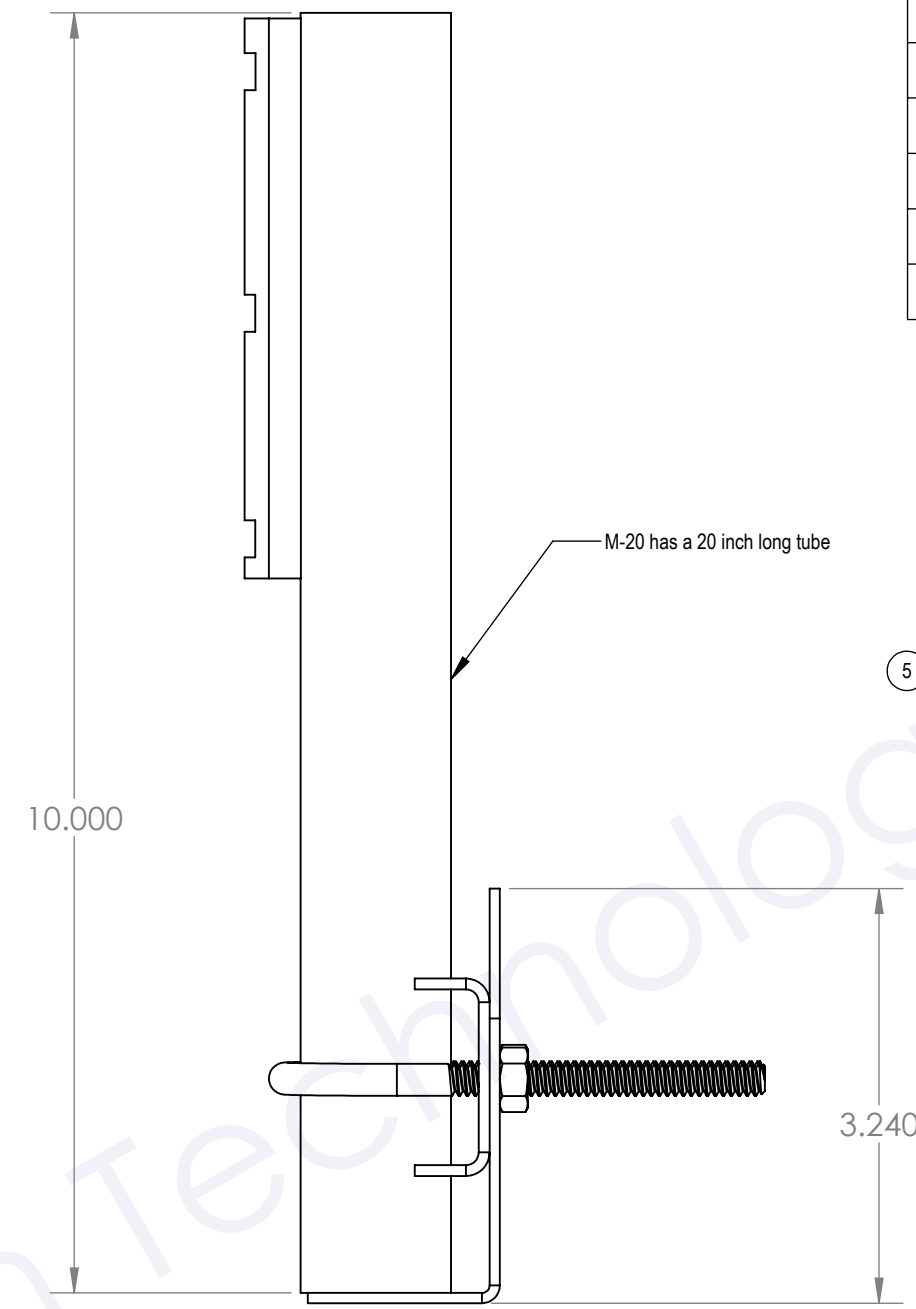
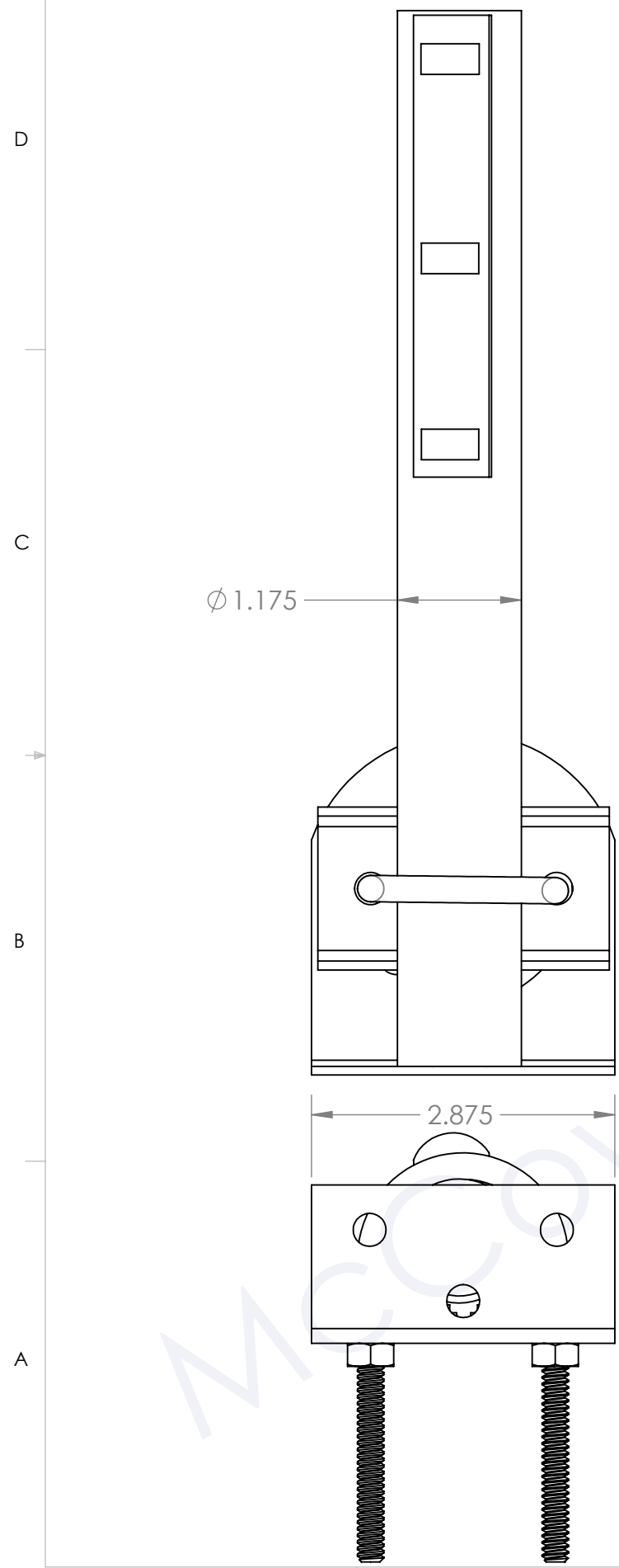


8 7 6 5 4 3 2 1

ITEM NO.	PART NUMBER	DESCRIPTION	QTY.
1	Bracket		1
2	Clamp		1
3	30555T23	U Bolt	1
4	Tube 10		1
5	Clip	Snap on clip for Canopy plastic cases	1
6	.250x20 Hex Nut	.250x20 Hex Nut	2



PROPRIETARY AND CONFIDENTIAL
 THE INFORMATION CONTAINED IN THIS DRAWING IS THE SOLE PROPERTY OF MCCOWN TECHNOLOGY CORP. ANY REPRODUCTION IN PART OR AS A WHOLE WITHOUT THE WRITTEN PERMISSION OF MCCOWN TECHNOLOGY CORP IS PROHIBITED.

UNLESS OTHERWISE SPECIFIED:		NAME	DATE
DIMENSIONS ARE IN INCHES		DRAWN	CM 2-6-17
TOLERANCES:		CHECKED	
FRACTIONAL ±		ENG APPR.	
ANGULAR: MACH ± BEND ±		MFG APPR.	
TWO PLACE DECIMAL ±		Q.A.	
THREE PLACE DECIMAL ±		COMMENTS:	
INTERPRET GEOMETRIC TOLERANCING PER:			
MATERIAL			
FINISH			
NEXT ASSY	USED ON		
APPLICATION		DO NOT SCALE DRAWING	

TITLE:		8400 N Hwy 36 Lakepoint Utah 84074	
Basic Mount M-10 for legacy Canopy plastic cases. M-20 has a 20 inch tube.		801-250-9503	
SCALE: 1:4		SHEET 1 OF 1	
SIZE B	DWG. NO.	REV B	
WEIGHT:			

8 7 6 5 4 3 2 1