



**Datasheet:**

**EtherHaul™ EH-ANT-1ft-H**  
**E-band 70/80GHz 1ft heated antenna**

**and**

**EtherHaul™ EH-ANT-1ft-HR**  
**E-band 70/80GHz 1ft heated antenna radome**

July 2018 (A0)

### **Introduction**

EtherHaul™ E-band ODUs support a variety of antennas depending on the intended application, from street level to rooftop, from short to long reach. This document describes the **EH-ANT-1ft-H**, a heated antenna for prevention of ice accumulation on the radome of the antenna. A radome replacement kit is also available for existing links with 1ft antennas (part number **EH-ANT-1ft-HR**).

## EtherHaul™ 1ft E-band heated antenna: datasheet

The compatibility and specification of the **EH-ANT-1ft-H** are listed in the table below.

|                                     |  |
|-------------------------------------|--|
| <b>COMPATIBILITY</b>                | EH-700TX/710T/710TX (EXT versions)<br>EH-1200T/TX, EH-1200F/FX<br>EH-2200F/FX, EH-2500F/FX<br>EH-5500FD, EH-8010FX |
| <b>ANTENNA SPECIFICATION</b>        |  |
| Frequency Range                     | 71 – 86 GHz  |
| Regulatory Compliance               | ETSI: EN 302 217-4-2 V1.5.1 Class 2<br>FCC: 47CFR101   |
| Gain                                | 43 dBi +/- 2dB   |
| 3 dB Beam                           | 0.9°   |
| Polarization                        | Linear Vertical / Horizontal   |
| Input RF power                      | 10 W (max)   |
| Interface                           | Circular waveguide E-band  |
| Weight                              | 2.2kg (4.8 lbs.), antenna only.  |
| Radome                              | Plastic  |
| <b>CONTROLLER SPECIFICATION</b>     |  |
| DC input power                      | 48VDC, 30W   |
| Distance antenna to controller      | 19" (50cm)   |
| Heater controller<br>Size<br>Weight | 5.9x4.3x2.7" (15x11x7 cm)<br>1.2 Lbs. (550 gr)   |

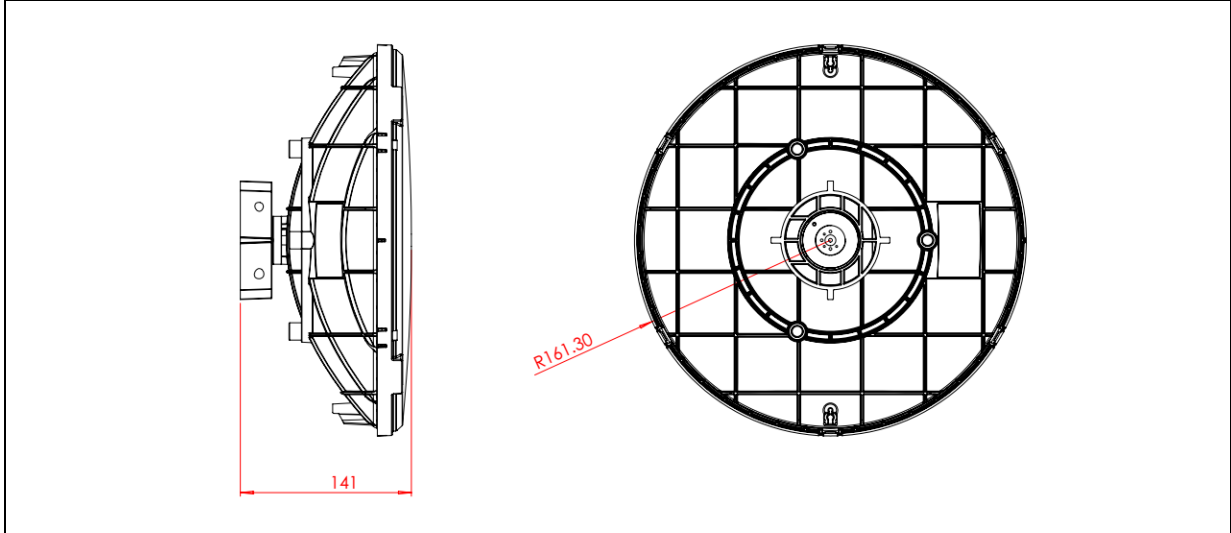
Note: It is possible to add the heating function to an existing 1ft antenna (EH-ANT-1ft or EH-ANT-1ft-B, or antenna included as part of an ODU such as EH-1200TX-ODU-1ft or EH-1200FX-ODU-H-1ft). Part number **EH-ANT-1ft-HR** includes the heating radome and the controller.

The environmental specifications are listed in the following table:

| <b>ENVIRONMENTAL SPECIFICATION</b>  |             |             |                 |                      |
|-------------------------------------|-------------|-------------|-----------------|----------------------|
| TEST                                | STANDARD    | DURATION    | TEMPERATURE     | NOTES                |
| Low Temperature                     | IEC 68-2-1  | 72 h        | -55°C (-67°F)   | -                    |
| High Temperature                    | IEC 68-2-2  | 72 h        | +71°C (159.8°F) | -                    |
| Water Tightness                     | IEC 529     | -           | -               | IP67 *               |
| Solar Radiation                     | ASTM G53    | 1000 h      | -               | -                    |
| Ice And Snow                        | -           | -           | -               | 25mm Radial          |
| Wind Speed<br>Survival<br>Operation | -<br>-<br>- | -<br>-<br>- | -<br>-<br>-     | 220 Km/h<br>160 Km/h |

\* IP67 when the antenna is correctly mounted on the radio per Siklu installation guide.

**FIGURE 1: 1FT Antenna outline drawing (EH-ANT-1ft-H)**



**FIGURE 1a: EH-1200TX-ODU-1ft upgraded with EH-ANT-1ft-HR**

