



MSTronic Co., Ltd.

2F, 12, Gongshang Rd., Wugu Dist., New Taipei City, 248 Taiwan

TEL:886-2-2293-0159 FAX:886-2-2292-8851

E.MAIL: mse@mse.com.tw
WEB: http://www.mse.com.tw

SPECIFICATION

MIT-40G

Gigabit Passive Injector

1. INPUT :

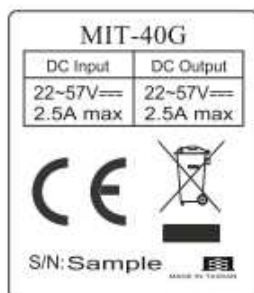
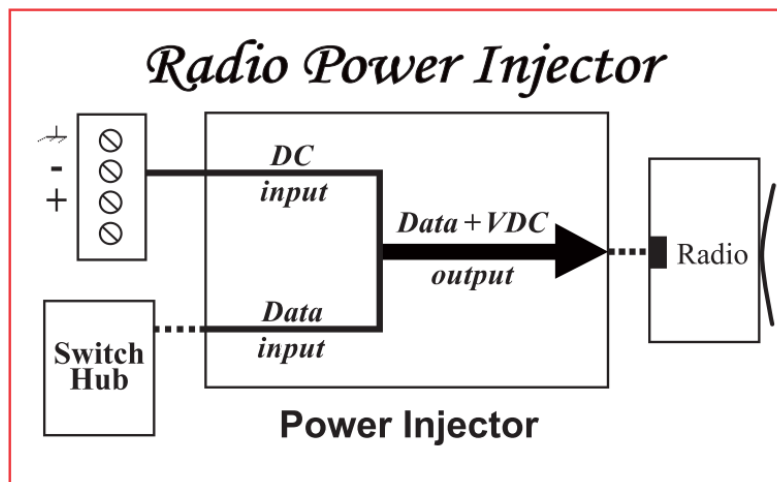
1.1 Input Voltage: DC 20V to DC 60V

2. OUTPUT :

2.1 Output Voltage & Current:

OUTPUT	$V_{out}=V_{in}$
Max. load	2.5A

Note: data pairs 1.25A + spare pairs 1.25A, total 2.5A





MSTronic Co., Ltd.

2F, 12, Gongshang Rd., Wugu Dist., New Taipei City, 248 Taiwan

TEL:886-2-2293-0159 FAX:886-2-2292-8851

E.MAIL: mse@mse.com.tw
WEB: http://www.mse.com.tw

3. PROTECTION

3.1 Short Circuit Protection

output Short GND Terminal will damage the FUSE.

3.2 RJ45 Output is 1.25A on data pairs (1,2/3,6) and 1.25A on spare pairs (4,5/7,8), the fuse is 2A at (3,6) & (7,8)

3.3 Input current limit at 2.5A, the FUSE is T3.15A.

5. GENERAL DESCRIPTION

5.1 Operation Temperature: -40 - +60 Degree

5.2 Storage Temperature: -40 - +85 Degree

5.3 Operation Humidity: 5% - 90% 45 Degree

5.4 Cooling: Free air cooling

5.5 SIZE : 86*76*36 (L*W*H)m/m

6 CONNECTION :

RJ45 Connection and pin out: @1000MBASE

RJ-45 Input (Data Only)			RJ-45 Output (Data & Power)	
Pin	Symbol	Description	Symbol	Description
1	BI_DA+	Data Pair A+	+Vdc + BI_DA+	power(+)+Data Pair A+
2	BI_DA-	Data Pair A-	+Vdc + BI_DA-	power(+)+Data Pair A-
3	BI_DB+	Data Pair B+	-Vdc + BI_DB+	power(-)+Data Pair B+
4	BI_DC+	Data Pair C+	+Vdc + BI_DC+	power(+)+Data Pair C+
5	BI_DC-	Data Pair C-	+Vdc + BI_DC-	power(+)+Data Pair C-
6	BI_DB-	Data Pair B-	-Vdc + BI_DB-	power(-)+Data Pair B-
7	BI_DD+	Data Pair D+	-Vdc + BI_DD+	power(-)+Data Pair D+
8	BI_DD-	Data Pair D-	-Vdc + BI_DD-	power(-)+Data Pair D-

7. indicator LED GREEN when power ready

Note: the model is a Non-standard PoE injector – for use with compatible radios only.