

HP2-18

0.6 M | 2 FT HIGH PERFORMANCE PARABOLIC REFLECTOR ANTENNA, SINGLE-POLARIZED, 17.7-19.7GHZ

The HP High Performance Series by RadioWaves offers a full line of high performance parabolic antennas engineered to provide ETSI class 2/3 radiation pattern performance as well as excellent gain. RadioWaves field-proven pre-assembled antennas and robust pole-mounts ensure “set and forget” installation with minimal post-installation maintenance. The included radome ensures robust and reliable performance under the most challenging conditions. If it’s rugged, it must be RadioWaves!



FEATURES AND BENEFITS

- High Performance ETSI Class 2/3* Parabolic Antennas – Excellent performance for a wide range of applications
- Fully Preassembled at the Factory – Simplifies installation on site and guarantees “factory-tested” quality
- Warranty – Industry leading 7-year warranty

*ETSI Class depends on frequency band

SPECIFICATIONS

General

| | | | |
|---------------|----------------------------------------------|------------------------------|------------------------------------|
| Antenna Type | High Performance Parabolic Reflector Antenna | Standard RF Connector Type | WR42 |
| Size, nominal | 2 ft 0.6 m | Standard RF Connector Suffix | RS (append suffix to model number) |
| Polarization | Single | | |

Electrical

| | | | |
|-----------------------------------|-----------------|----------------------|----------|
| Operating Frequency Band | 17.7 - 19.7 GHz | Gain, Low Frequency | 38.2 dBi |
| Half Power Beamwidth, Horizontal | 2 degrees | Gain, Mid Frequency | 38.6 dBi |
| Half Power Beamwidth, Vertical | 2 degrees | Gain, High Frequency | 39 dBi |
| Cross-Polarization Discrimination | 30 dB | VSWR | 1.37:1 |
| Front to Back Ratio (F/B) | 67 dB | Return Loss | -16.1 dB |

Mechanical

| | |
|-------------------------------|--------------------|
| Fine Azimuth Adjustment | +/- 10 degrees |
| Fine Elevation Adjustment | +/- 30 degrees |
| Mounting Pipe Diameter, Min | 2 inch 5.08 cm |
| Mounting Pipe Diameter, Max | 4.5 inch 11.4 cm |
| Net Weight | 27 lbs 12.3 kg |
| Wind Velocity Operational | 90 mph 145 km/h |
| Wind Velocity Survival Rating | 125 mph 201 km/h |

| | |
|----------------------------------------------|---------------------|
| Mechanical Configuration | HP2 |
| Axial Force (FA) | 202 lbs 899 N |
| Side Force (FS) | 100 lbs 445 N |
| Twisting Moment (MT) | 194 ft-lbs 263 Nm |
| Operating Temperature Range | -40 to +60 C |
| Max Pressure, PSIG, (if waveguide interface) | 5 |

Regulatory Compliance

| | |
|----------------------------|-----------------|
| FCC | Part 101 Cat. A |
| Industry Canada Compliance | SRSP317.8 A |

| | |
|----------------|--------------|
| ETSI | 302217 R2 C3 |
| RoHS-compliant | Yes |

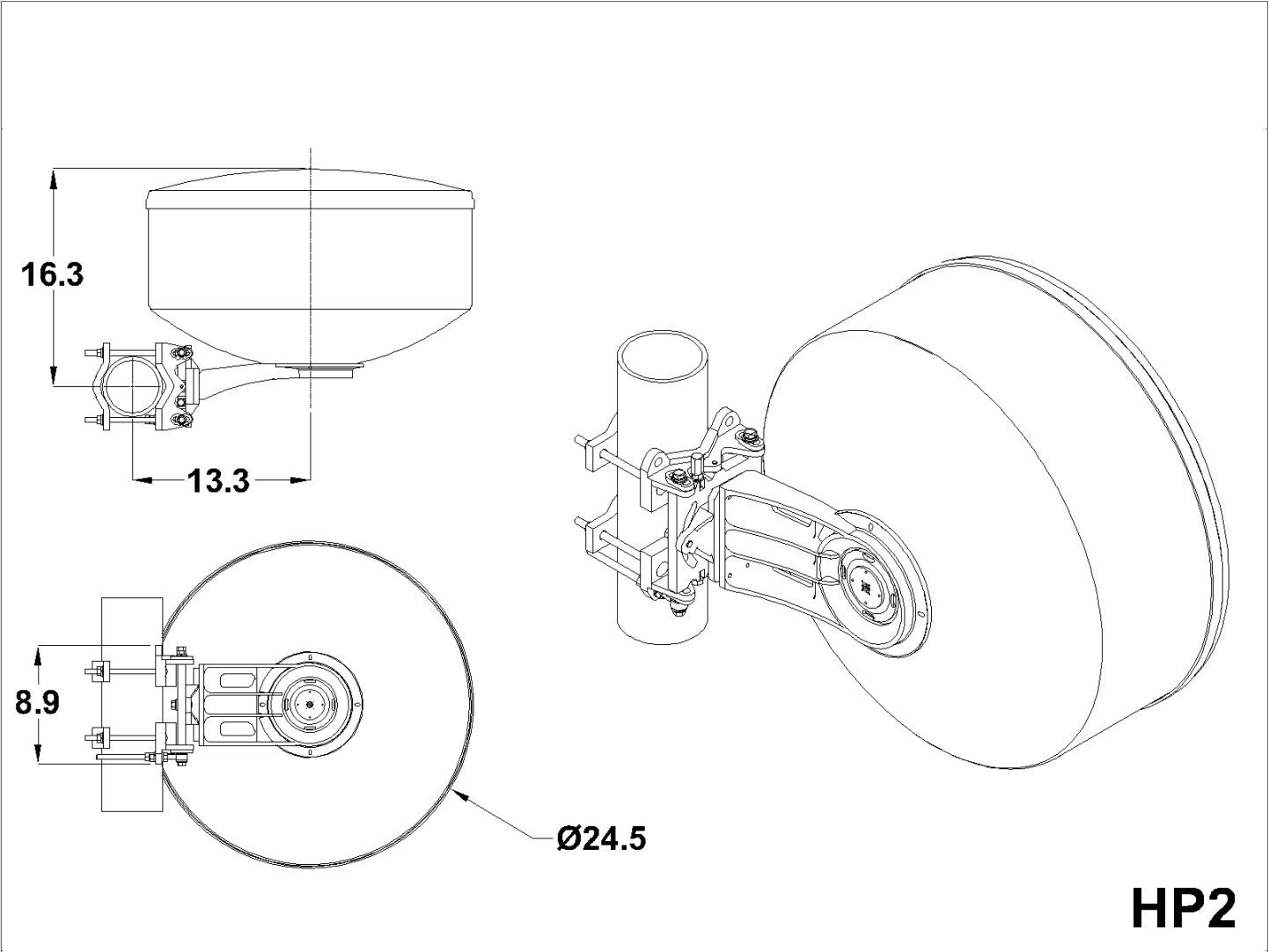
Shipping Information

| | |
|--------------|------------------|
| Package Type | Cardboard |
| Gross Weight | 48 lbs 28.7 kg |

| | |
|-----------------------|----------------------------------|
| Dimensions, L x W x H | 31 x 31 x 25in 79 x 79 x 64 cm |
| Shipping Volume | 13.9 cu ft 0.39 cu m |

*Additional OEM interfaces and adapters may be available. Contact RadioWaves for a complete and current list of available adapters.

TECHNICAL DRAWINGS



HP2