

HP2-2.4

0.6 M | 2 FT HIGH PERFORMANCE PARABOLIC REFLECTOR ANTENNA, SINGLE-POLARIZED, 2.4-2.7GHZ

The HP High Performance Series by RadioWaves offers a full line of high performance parabolic antennas engineered to provide ETSI class 2/3 radiation pattern performance as well as excellent gain. RadioWaves field-proven pre-assembled antennas and robust pole-mounts ensure “set and forget” installation with minimal post-installation maintenance. The included radome ensures robust and reliable performance under the most challenging conditions. If it’s rugged, it must be RadioWaves!



FEATURES AND BENEFITS

- High Performance ETSI Class 2/3* Parabolic Antennas – Excellent performance for a wide range of applications
- Fully Preassembled at the Factory – Simplifies installation on site and guarantees “factory-tested” quality
- Warranty – Industry leading 7-year warranty

*ETSI Class depends on frequency band

SPECIFICATIONS

General

Antenna Type	High Performance Parabolic Reflector Antenna	Standard RF Connector Type	N-Female
Size, nominal	2 ft 0.6 m	Standard RF Connector Suffix	NS (append suffix to model number)
Polarization	Single		

Electrical

Operating Frequency Band	2.4 - 2.7 GHz	Gain, Low Frequency	20.6 dBi
Half Power Beamwidth, Horizontal	14 degrees	Gain, Mid Frequency	21.1 dBi
Half Power Beamwidth, Vertical	14 degrees	Gain, High Frequency	21.6 dBi
Cross-Polarization Discrimination	28 dB	VSWR	1.5:1
Front to Back Ratio (F/B)	34 dB	Return Loss	-14 dB

Mechanical

Fine Azimuth Adjustment	+/- 10 degrees
Fine Elevation Adjustment	+/- 30 degrees
Mounting Pipe Diameter, Min	2 inch 5.08 cm
Mounting Pipe Diameter, Max	4.5 inch 11.4 cm
Net Weight	27 lbs 12.3 kg
Wind Velocity Operational	90 mph 145 km/h
Wind Velocity Survival Rating	125 mph 201 km/h

Mechanical Configuration	HP2
Axial Force (FA)	202 lbs 899 N
Side Force (FS)	100 lbs 445 N
Twisting Moment (MT)	194 ft-lbs 263 Nm
Operating Temperature Range	-40 to +60 C
Max Pressure, PSIG, (if waveguide interface)	na

Regulatory Compliance

FCC	undeclared
Industry Canada Compliance	undeclared

ETSI	undeclared
RoHS-compliant	Yes

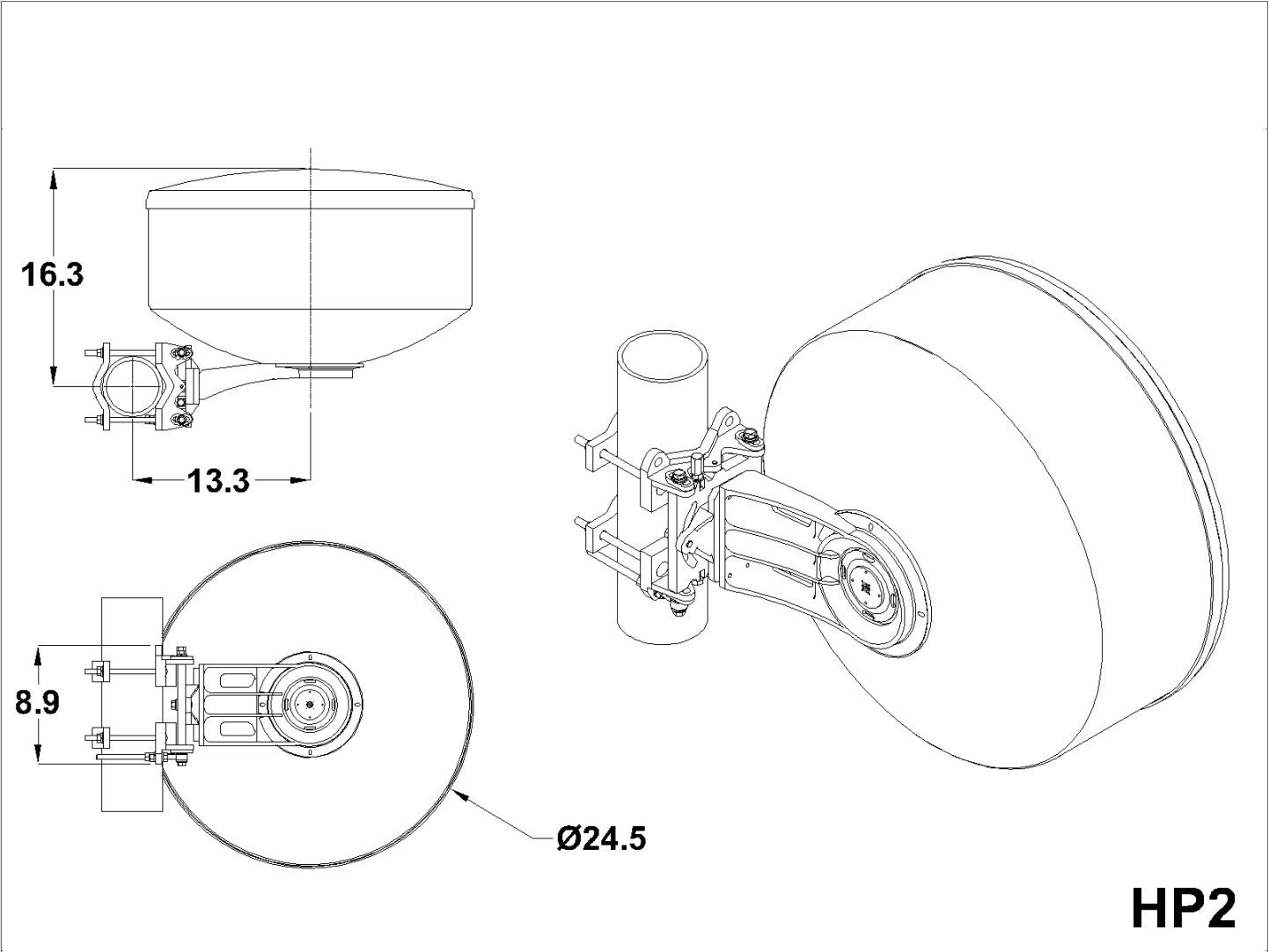
Shipping Information

Package Type	Cardboard
Gross Weight	48 lbs 28.7 kg

Dimensions, L x W x H	31 x 31 x 25in 79 x 79 x 64 cm
Shipping Volume	13.9 cu ft 0.39 cu m

*Additional OEM interfaces and adapters may be available. Contact RadioWaves for a complete and current list of available adapters.

TECHNICAL DRAWINGS



HP2