

## HPD8-5.2

### 2.4 M | 8 FT HIGH PERFORMANCE PARABOLIC REFLECTOR ANTENNA, DUAL-POLARIZED, 5.25-5.85GHZ

The HP High Performance Series by RadioWaves offers a full line of high performance parabolic antennas engineered to provide ETSI class 2/3 radiation pattern performance as well as excellent gain. RadioWaves field-proven pre-assembled antennas and robust pole-mounts ensure “set and forget” installation with minimal post-installation maintenance. The included radome ensures robust and reliable performance under the most challenging conditions. If it’s rugged, it must be RadioWaves!



### FEATURES AND BENEFITS

- High Performance ETSI Class 2/3\* Parabolic Antennas – Excellent performance for a wide range of applications
- Fully Preassembled at the Factory – Simplifies installation on site and guarantees “factory-tested” quality
- Warranty – Industry leading 7-year warranty

\*ETSI Class depends on frequency band

### SPECIFICATIONS

#### General

|               |  |                              |                                    |
|---------------|--|------------------------------|------------------------------------|
| Antenna Type  | High Performance Parabolic Reflector Antenna | Standard RF Connector Type   | N-Female                           |
| Size, nominal | 8 ft   2.4 m                                 | Standard RF Connector Suffix | NS (append suffix to model number) |
| Polarization  | Dual   |                              |                                    |

#### Electrical

|                                   |                 |                      |          |
|-----------------------------------|-----------------|----------------------|----------|
| Operating Frequency Band          | 5.25 - 5.85 GHz | Gain, Low Frequency  | 40.2 dBi |
| Half Power Beamwidth, Horizontal  | 1.5 degrees     | Gain, Mid Frequency  | 40.7 dBi |
| Half Power Beamwidth, Vertical    | 1.5 degrees     | Gain, High Frequency | 41.2 dBi |
| Cross-Polarization Discrimination | 30 dB           | VSWR                 | 1.5:1    |
| Front to Back Ratio (F/B)         | 55 dB           | Return Loss          | -14 dB   |

## Mechanical

|                               |                    |
|-------------------------------|--------------------|
| Fine Azimuth Adjustment       | +/- 5 degrees      |
| Fine Elevation Adjustment     | +/- 5 degrees      |
| Mounting Pipe Diameter, Min   | 4.5 inch   11.4 cm |
| Mounting Pipe Diameter, Max   | 4.5 inch   11.4 cm |
| Net Weight                    | 424 lbs   194.5 kg |
| Wind Velocity Operational     | 90 mph   145 km/h  |
| Wind Velocity Survival Rating | 125 mph   201 km/h |

|  |                       |
|--|-----------------------|
| Mechanical Configuration                     | HP8                   |
| Axial Force (FA)                             | 2773 lbs   12334 N    |
| Side Force (FS)                              | 1422 lbs   6325 N     |
| Twisting Moment (MT)                         | 4400 ft-lbs   5965 Nm |
| Operating Temperature Range                  | -40 to +60 C          |
| Max Pressure, PSIG, (if waveguide interface) | 5                     |

## Regulatory Compliance

|                            |            |
|----------------------------|------------|
| FCC                        | undeclared |
| Industry Canada Compliance | undeclared |

|                |            |
|----------------|------------|
| ETSI           | undeclared |
| RoHS-compliant | Yes        |

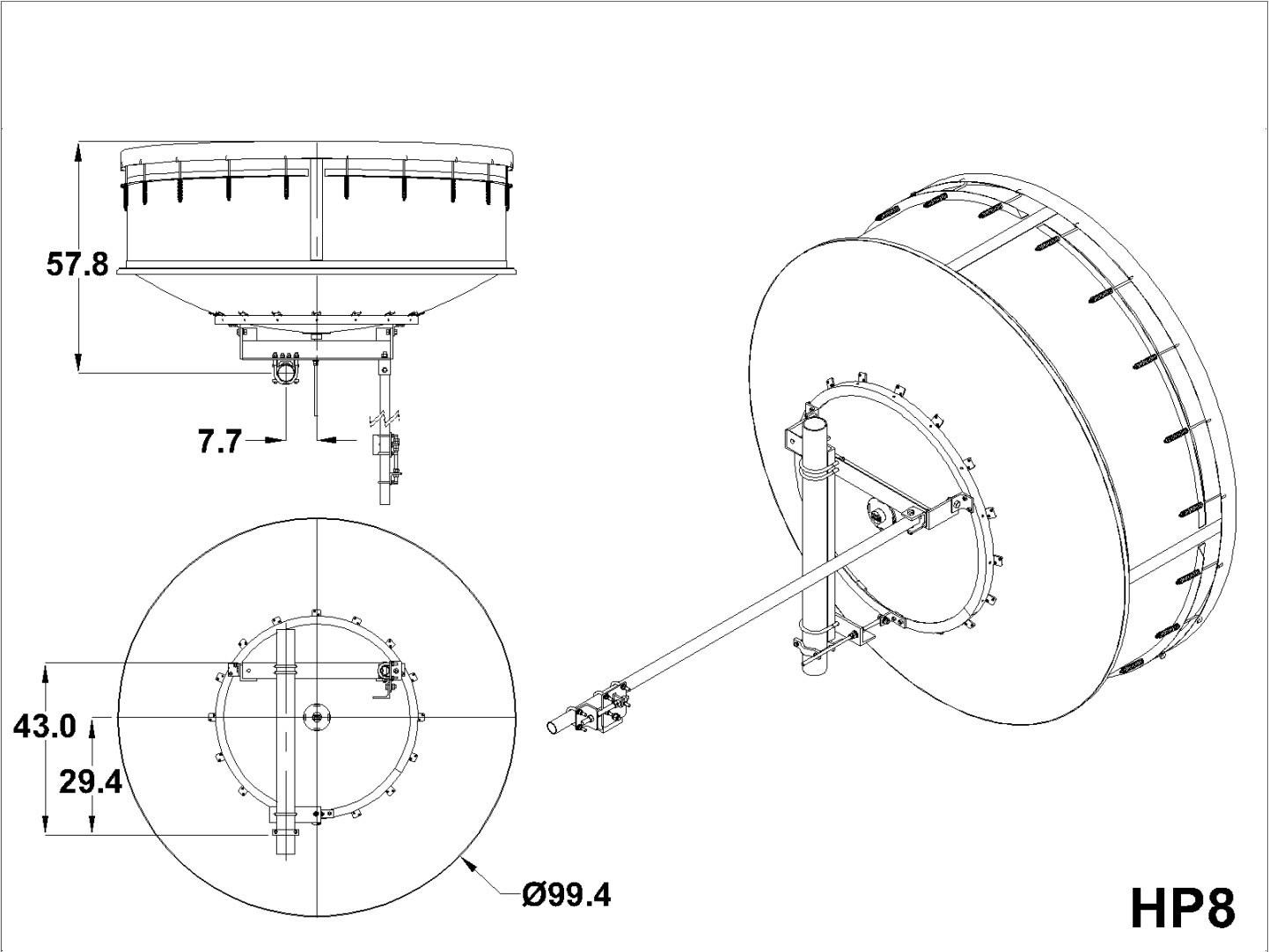
## Shipping Information

|              |                     |
|--------------|---------------------|
| Package Type | Wood Crate          |
| Gross Weight | 1122 lbs   508.9 kg |

|                       |                                      |
|-----------------------|--------------------------------------|
| Dimensions, L x W x H | 105 x 63 x 95in   249 x 203 x 218 cm |
| Shipping Volume       | 363.67 cu ft   10.3 cu m             |

\*Additional OEM interfaces and adapters may be available. Contact RadioWaves for a complete and current list of available adapters.

TECHNICAL DRAWINGS



**HP8**