

# HPD6-2.4

## 1.8 M | 6 FT HIGH PERFORMANCE PARABOLIC REFLECTOR ANTENNA, DUAL-POLARIZED, 2.4-2.7GHZ

The HP High Performance Series by RadioWaves offers a full line of high performance parabolic antennas engineered to provide ETSI class 2/3 radiation pattern performance as well as excellent gain. RadioWaves field-proven pre-assembled antennas and robust pole-mounts ensure “set and forget” installation with minimal post-installation maintenance. The included radome ensures robust and reliable performance under the most challenging conditions. If it’s rugged, it must be RadioWaves!



### FEATURES AND BENEFITS

- High Performance ETSI Class 2/3\* Parabolic Antennas – Excellent performance for a wide range of applications
- Fully Preassembled at the Factory – Simplifies installation on site and guarantees “factory-tested” quality
- Warranty – Industry leading 7-year warranty

\*ETSI Class depends on frequency band

### SPECIFICATIONS

#### General

Antenna Type	High Performance Parabolic Reflector Antenna	Standard RF Connector Type	N-Female
Size, nominal	6 ft   1.8 m	Standard RF Connector Suffix	NS (append suffix to model number)
Polarization	Dual		

#### Electrical

Operating Frequency Band	2.4 - 2.7 GHz	Gain, Low Frequency	29.4 dBi
Half Power Beamwidth, Horizontal	4.8 degrees	Gain, Mid Frequency	29.9 dBi
Half Power Beamwidth, Vertical	4.8 degrees	Gain, High Frequency	30.4 dBi
Cross-Polarization Discrimination	30 dB	VSWR	1.5:1
Front to Back Ratio (F/B)	46 dB	Return Loss	-14 dB

## Mechanical

Fine Azimuth Adjustment	+/- 10 degrees
Fine Elevation Adjustment	+/- 10 degrees
Mounting Pipe Diameter, Min	4.5 inch   11.4 cm
Mounting Pipe Diameter, Max	4.5 inch   11.4 cm
Net Weight	251 lbs   113 kg
Wind Velocity Operational	90 mph   145 km/h
Wind Velocity Survival Rating	125 mph   201 km/h

Mechanical Configuration	HP6
Axial Force (FA)	1680 lbs   7473 N
Side Force (FS)	832 lbs   3700 N
Twisting Moment (MT)	2100 ft-lbs   2847 Nm
Operating Temperature Range	-40 to +60 C
Max Pressure, PSIG, (if waveguide interface)	na

## Regulatory Compliance

FCC	undeclared
Industry Canada Compliance	undeclared

ETSI	undeclared
RoHS-compliant	Yes

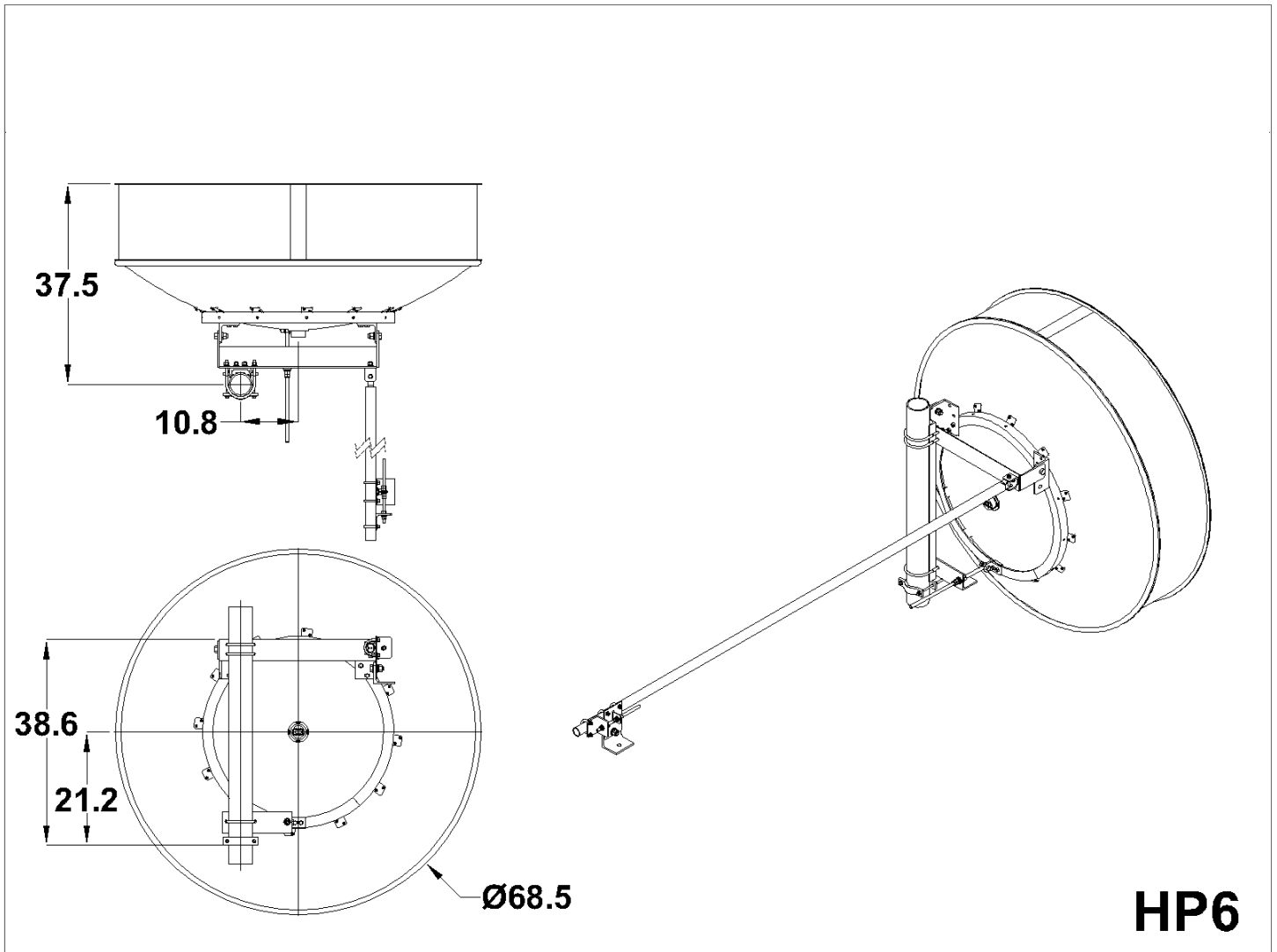
## Shipping Information

Package Type	Wood Crate
Gross Weight	401 lbs   181.8 kg

Dimensions, L x W x H	77 x 35 x 80in   195 x 89 x 203 cm
Shipping Volume	124.77 cu ft   3.53 cu m

\*Additional OEM interfaces and adapters may be available. Contact RadioWaves for a complete and current list of available adapters.

TECHNICAL DRAWINGS



**HP6**