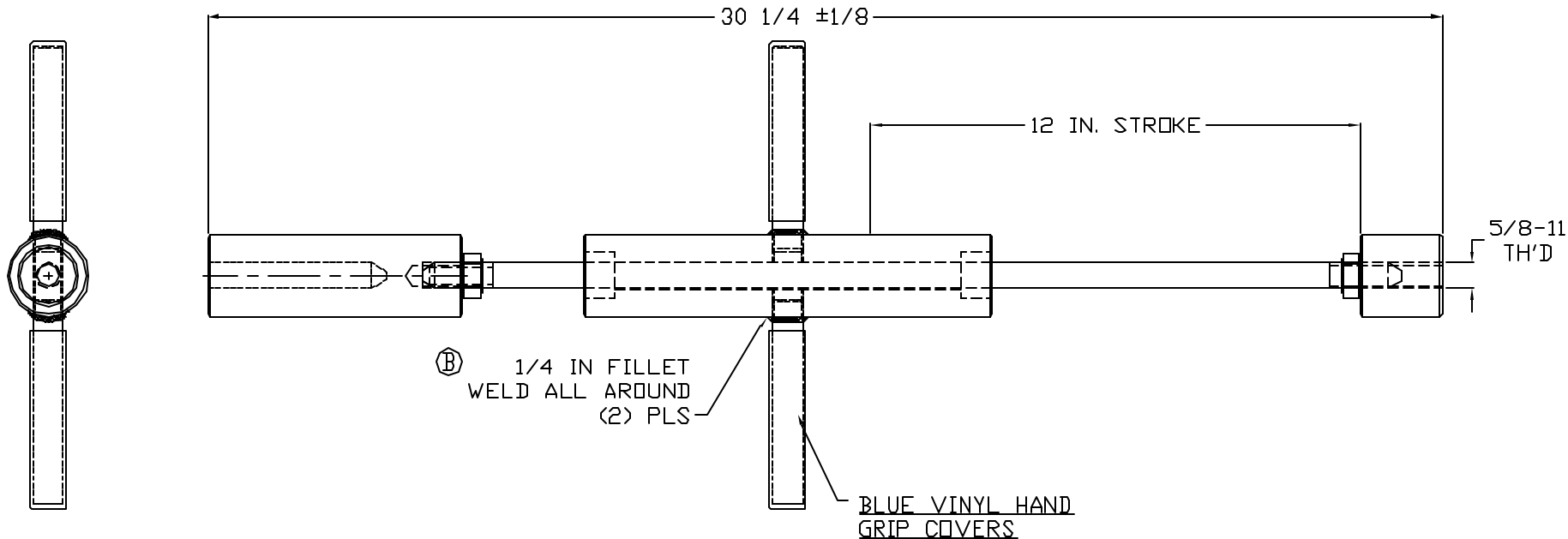


NOTE:  
 -ENTIRE UNIT IS  
 ULTRASEAL PLATED.



UNIVERSAL GROUND ROD DRIVER

EST WT 16 LBS

APPROVED

THIS DOCUMENT AND THE CONTENTS THEREOF IS THE PROPERTY OF HARGER INC., AND IS FURNISHED TO YOU FOR INFORMATION ONLY. THE INFORMATION CONTAINED HEREIN IS CONFIDENTIAL AND OF A PROPRIETARY NATURE AND MUST NOT BE DISCLOSED TO THIRD PARTIES WITHOUT THE EXPRESS WRITTEN APPROVAL OF HARGER INC.

AS DRAWN: \_\_\_\_\_  
 AS NOTED: \_\_\_\_\_  
 DATE: \_\_\_\_\_

B	WAS THREADED ASSEMBLY	041613	LAL
A	ADDED LOCTITE	040612	LAL
LET	REVISION	DATE	BY
TOLERANCES UNLESS NOTED:			
	FRACTIONAL	+/-	1/16
	.00	+/-	.030
	.000	+/-	.010

PART NO. SMGRD58U  
 HAMMER UNIT

DRAWN BY: BK  
 CHECKED BY:  
 DATE: 082106



REVISION: B  
 SCALE: 1/4  
 SHEET: 1 QF 1