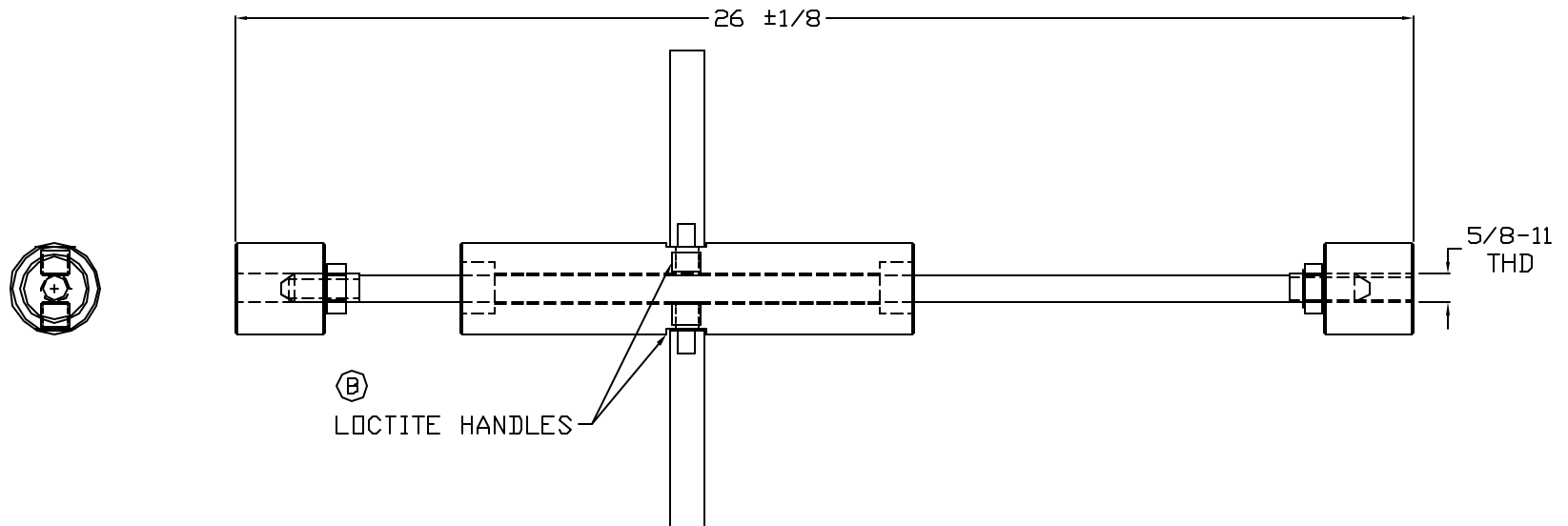



NOTE:
 -ENTIRE UNIT IS
 ULTRASEAL PLATED.



THREAD & NUT STYLE DRIVER

WEIGHT = 13 LBS

THIS DOCUMENT AND THE CONTENTS THEREOF IS THE PROPERTY OF HARGER INC., AND IS FURNISHED TO YOU FOR INFORMATION ONLY. THE INFORMATION CONTAINED HEREIN IS CONFIDENTIAL AND OF A PROPRIETARY NATURE AND MUST NOT BE DISCLOSED TO THIRD PARTIES WITHOUT THE EXPRESS WRITTEN APPROVAL OF HARGER INC.					PART NO. SMGRD58USHGR HAMMER UNIT		REVISION: B
	B	ADDED LOCTITE	033012	LAL	DRAWN BY: WSM	 301 ZIEGLER DRIVE GRAYSLAKE, IL 60030 (847) 548-8700	SCALE: 1/2
	A	ADDED SMGRDHANDLE	042505	LAL	CHECKED BY: 		SHEET: 1 OF 1
	LET	REVISION	DATE	BY	DATE: 041603		
	TOLERANCES UNLESS NOTED: FRACTIONAL +/- 1/16 .00 +/- .030 .000 +/- .010						