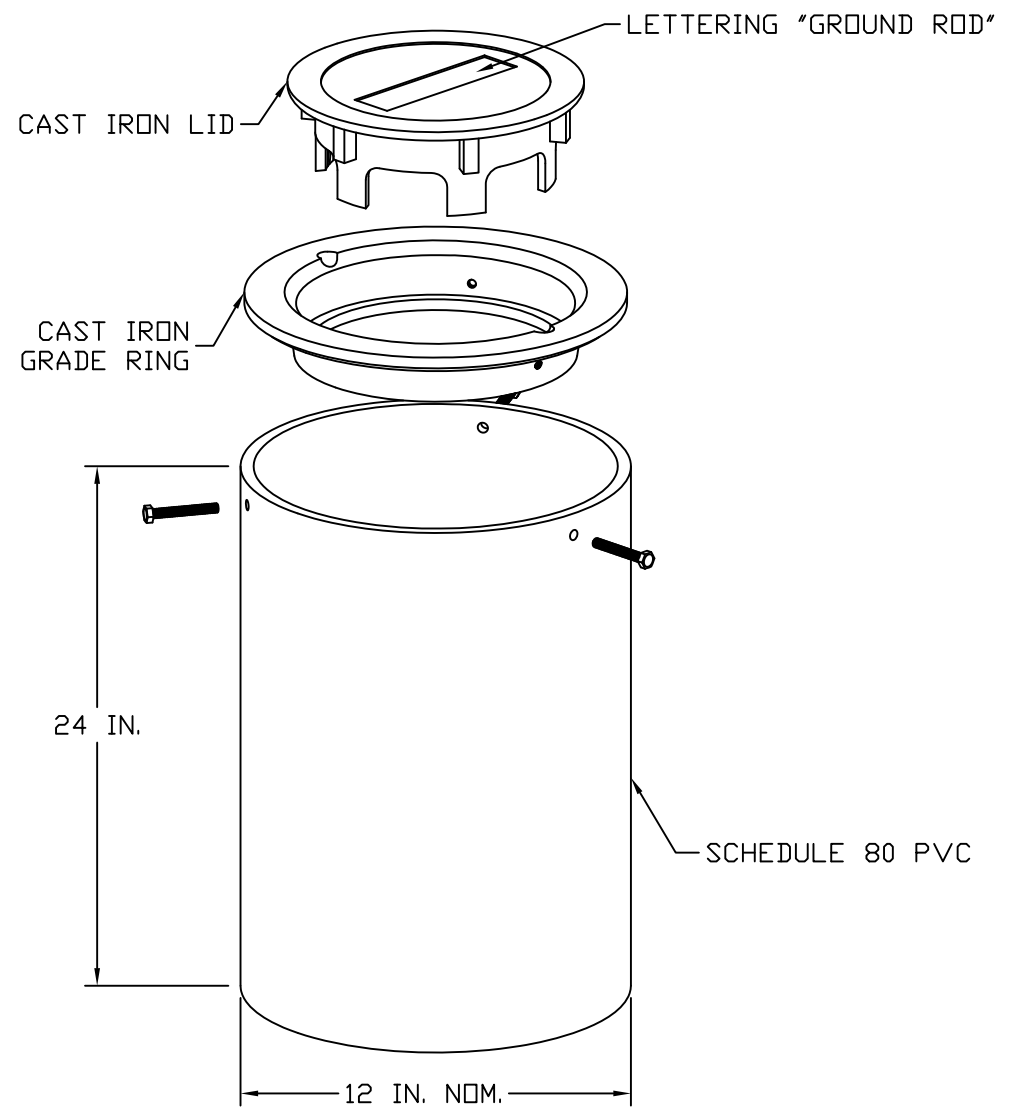


LID DETAIL



**PVC GROUND ACCESS WELL
W/CAST IRON LID**

EST WT 56#

APPROVED

AS DRAWN: _____
 AS NOTED: _____
 DATE: _____

THIS DOCUMENT AND THE CONTENTS THEREOF IS THE PROPERTY OF HARGER INC., AND IS FURNISHED TO YOU FOR INFORMATION ONLY. THE INFORMATION CONTAINED HEREIN IS CONFIDENTIAL AND OF A PROPRIETARY NATURE AND MUST NOT BE DISCLOSED TO THIRD PARTIES WITHOUT THE EXPRESS WRITTEN APPROVAL OF HARGER INC.

LET	REVISION	DATE	BY

TOLERANCES UNLESS NOTED:
 FRACTIONAL +/- 1/16
 DECIMAL +/- .030
 BREAK SHARP EDGES

3RD ANGLE PROJECTION

PART NO. 362PS24CILS80
 GROUND ACCESS WELL

DRAWN BY:
KAB
 CHECKED BY:
 DATE:
 083100

HARGER™
 301 ZIEGLER DRIVE
 GRAYSLAKE, IL 60030
 (847) 548-8700

REVISION:
 -
 SCALE:
 NTS
 SHEET:
 1 OF 1