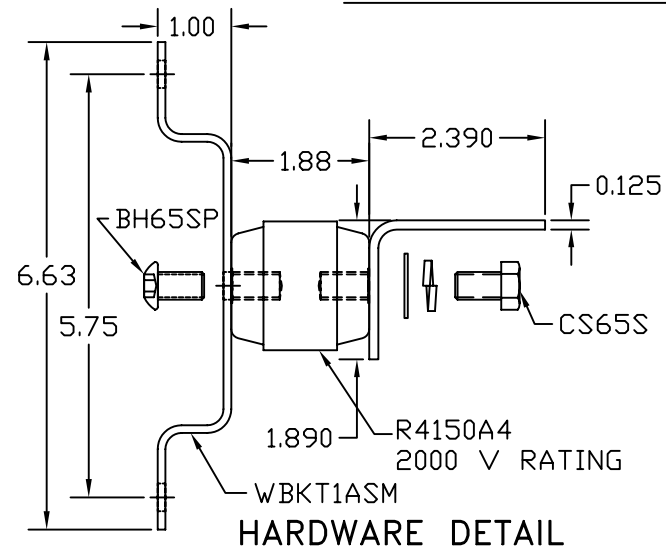
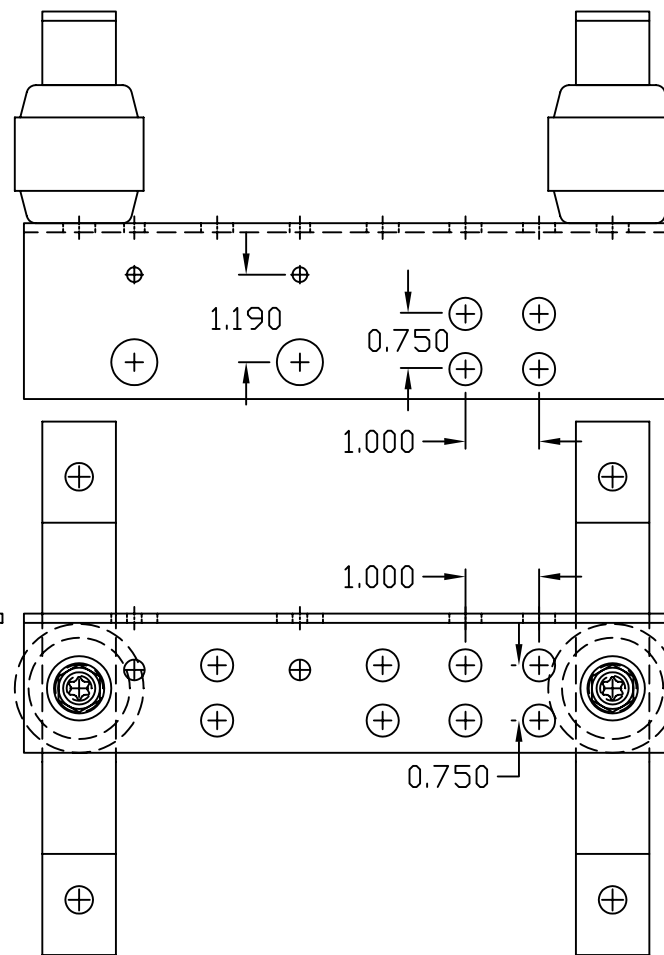
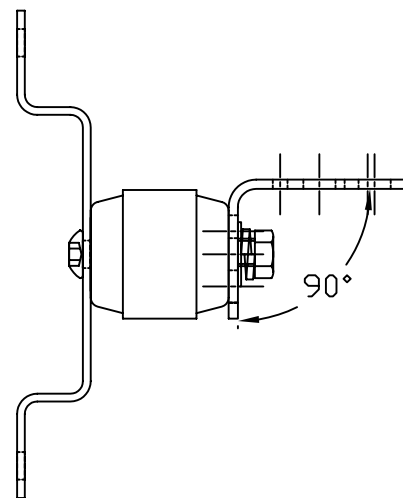


FLAT BAR LAYOUT



HARDWARE DETAIL



BENT COPPER GROUND BAR ASSEMBLY

EST. WEIGHT 2.4 LBS

APPROVED

AS DRAWN: _____
 AS NOTED: _____
 DATE: _____

THIS DOCUMENT AND THE CONTENTS THEREOF IS THE PROPERTY OF HARGER INC., AND IS FURNISHED TO YOU FOR INFORMATION ONLY. THE INFORMATION CONTAINED HEREIN IS CONFIDENTIAL AND OF A PROPRIETARY NATURE AND MUST NOT BE DISCLOSED TO THIRD PARTIES WITHOUT THE EXPRESS WRITTEN APPROVAL OF HARGER INC.

LET	REVISION	DATE	BY
-	-	-	-
TOLERANCES UNLESS NOTED:			
FRACTIONAL	+/- 1/16	3RD ANGLE PROJECTION	
.00	+/- .030		
.000	+/- .010		

PART NO. BGBI1848.75TEL
 BENT CU GROUND BAR ASSEMBLY
 TELIGENT

DRAWN BY:
KAB
 CHECKED BY:
 -
 DATE:
 020100

HARGER™
 301 ZIEGLER DRIVE
 GRAYSLAKE, IL 60030
 (847) 548-8700

REVISION:
 -
 SCALE:
 3/8
 SHEET:
 1 OF 1