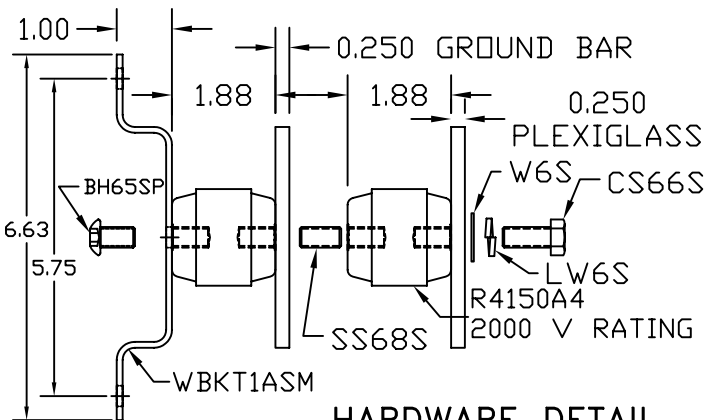
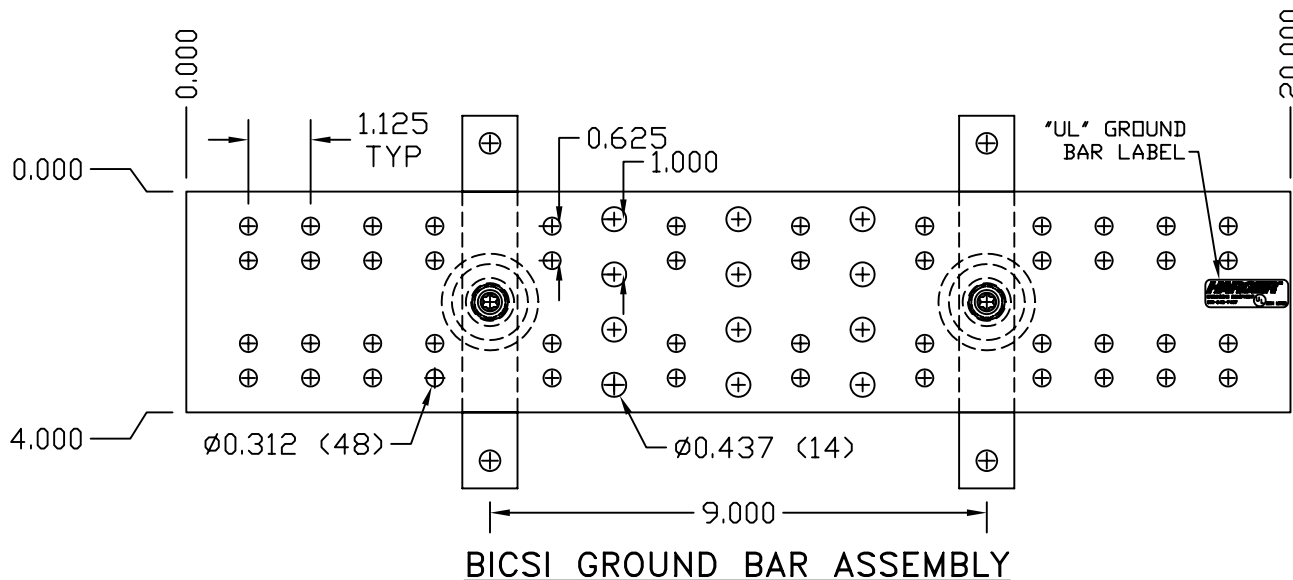


HCAJC1/2



**HARDWARE DETAIL**



**BICSI GROUND BAR ASSEMBLY**

EST WEIGHT 8.61 LBS

**APPROVED**

AS DRAWN: \_\_\_\_\_  
 AS NOTED: \_\_\_\_\_  
 DATE: \_\_\_\_\_

THIS DOCUMENT AND THE CONTENTS THEREOF IS THE PROPERTY OF HARGER INC., AND IS FURNISHED TO YOU FOR INFORMATION ONLY. THE INFORMATION CONTAINED HEREIN IS CONFIDENTIAL AND OF A PROPRIETARY NATURE AND MUST NOT BE DISCLOSED TO THIRD PARTIES WITHOUT THE EXPRESS WRITTEN APPROVAL OF HARGER INC.

|                          |                        |                      |     |
|--------------------------|------------------------|----------------------|-----|
|                          |                        |                      |     |
| -                        | -                      | -                    | -   |
| C                        | ADDED PLEXI LABEL      | 110608               | DVB |
| B                        | REVISE PATTERN TO SPEC | 120704               | EHS |
| A                        | ADDED ANTIOXIDANT      | 093003               | EHS |
| LET                      | REVISION               | DATE                 | BY  |
| TOLERANCES UNLESS NOTED: |                        | 3RD ANGLE PROJECTION |     |
| FRACTIONAL               | +/- 1/16               |                      |     |
| .00                      | +/- .030               |                      |     |
| .000                     | +/- .010               |                      |     |

**PART NO. GBIP14420TMGB**  
 BICSI CU GROUND BAR ASSEMBLY WITH PLEXIGLASS COVER

DRAWN BY: EHS  
 CHECKED BY: \_\_\_\_\_  
 DATE: 100803



REVISION: C  
 SCALE: 9/32  
 SHEET: 1 OF 1