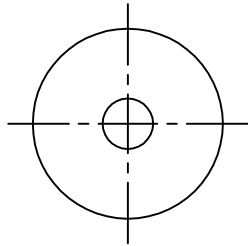
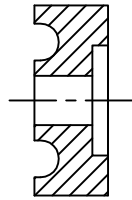
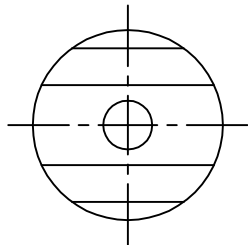
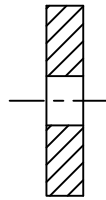


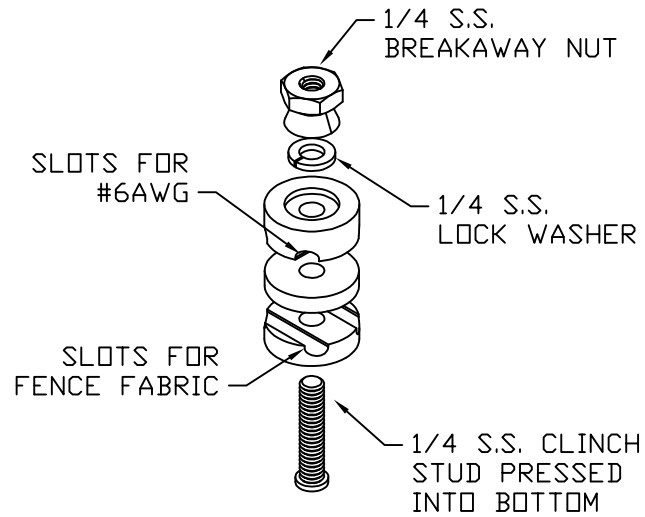
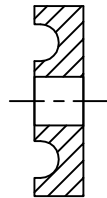
TOP



MIDDLE



BOTTOM



ASSEMBLY

EST WT 0.2#

APPROVED

AS DRAWN: _____

AS NOTED: _____

DATE: _____

THIS DOCUMENT AND THE CONTENTS THEREOF IS THE PROPERTY OF HARGER INC., AND IS FURNISHED TO YOU FOR INFORMATION ONLY. THE INFORMATION CONTAINED HEREIN IS CONFIDENTIAL AND OF A PROPRIETARY NATURE AND MUST NOT BE DISCLOSED TO THIRD PARTIES WITHOUT THE EXPRESS WRITTEN APPROVAL OF HARGER INC.

LET	REVISION	DATE	BY
TOLERANCES UNLESS NOTED:			
	FRACTIONAL	+/- 1/64	
	.00	+/- .010	
	.000	+/- .005	

PART NO. FGC6TP
#6 WIRE FENCE GROUND CLAMP

DRAWN BY:
LAL

CHECKED BY:

DATE:
040611



301 ZIEGLER DRIVE
GRAYSLAKE, IL 60030
(847) 548-8700

REVISION:
-

SCALE:
FULL

SHEET:
1 OF 1