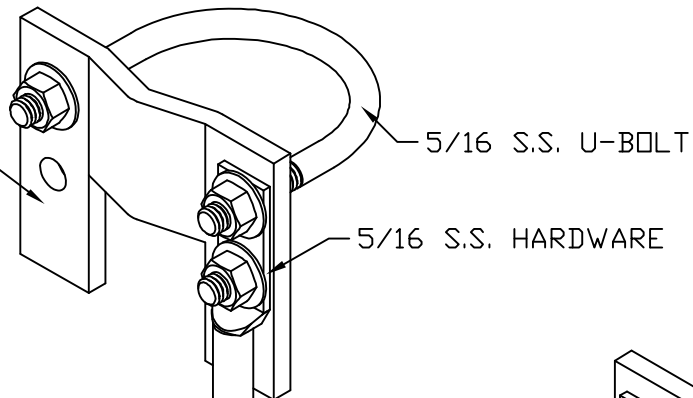
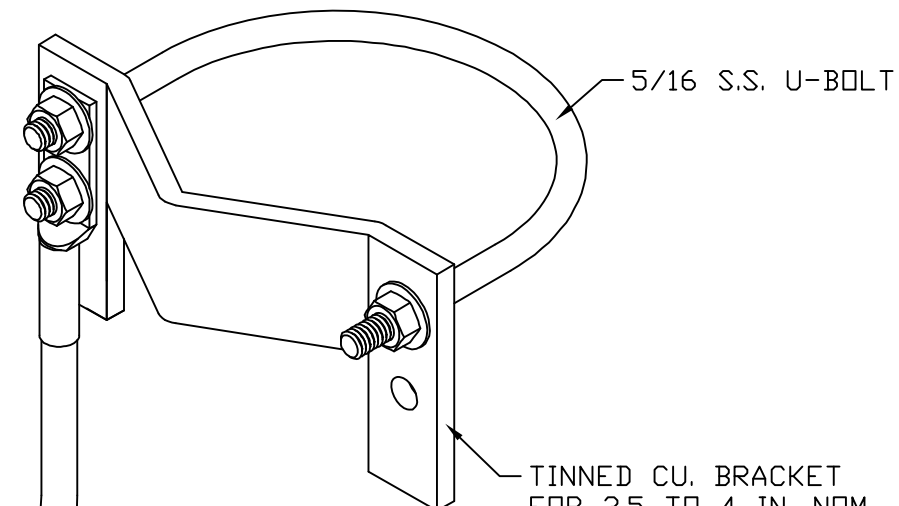


TINNED CU. BRACKET  
FOR 1.5 TO 2 IN. NOM  
PIPE (1.9 TO 2.38  
ACTUAL DIA.)



5/16 S.S. U-BOLT  
5/16 S.S. HARDWARE

#2WC x 24 IN.  
FLEX JUMPER



5/16 S.S. U-BOLT  
TINNED CU. BRACKET  
FOR 3.5 TO 4 IN. NOM.  
PIPE (4.0 TO 4.5  
ACTUAL DIA.)

**FENCE GATE ASSEMBLY**

EST WT 3#

**APPROVED**

AS DRAWN: \_\_\_\_\_  
 AS NOTED: \_\_\_\_\_  
DATE: \_\_\_\_\_

THIS DOCUMENT AND THE CONTENTS THEREOF IS THE PROPERTY OF HARGER INC., AND IS FURNISHED TO YOU FOR INFORMATION ONLY. THE INFORMATION CONTAINED HEREIN IS CONFIDENTIAL AND OF A PROPRIETARY NATURE AND MUST NOT BE DISCLOSED TO THIRD PARTIES WITHOUT THE EXPRESS WRITTEN APPROVAL OF HARGER INC.

LET	REVISION	DATE	BY
-	-	-	-
TOLERANCES UNLESS NOTED: FRACTIONAL +/- 1/16 DECIMAL +/- .030 BREAK SHARP EDGES			

PART NO. FGA1.5/2-3.5/42WC24  
FENCE GATE ASSEMBLY

DRAWN BY:  
**EHS**  
CHECKED BY:  
DATE:  
122101

**HARGER™**  
301 ZIEGLER DRIVE  
GRAYSLAKE, IL 60030  
(847) 548-8700

REVISION:  
-  
SCALE:  
7/16  
SHEET:  
1 OF 1