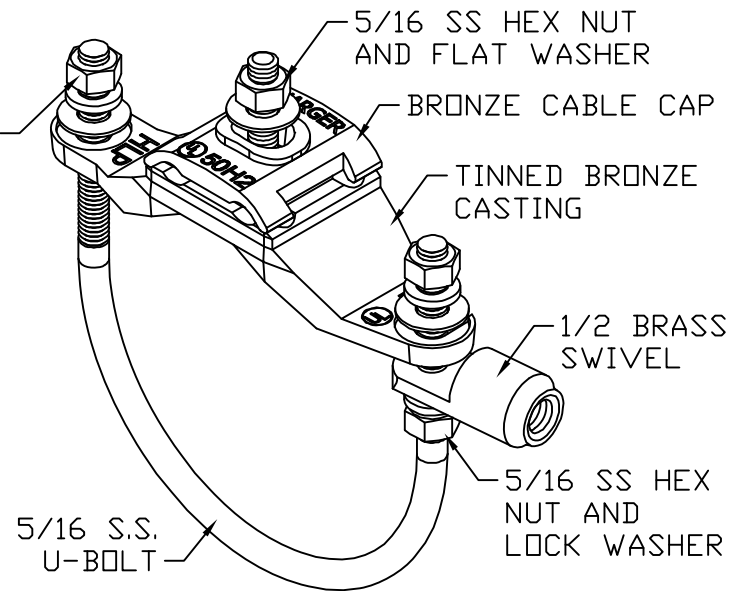


5/16 SS HEX NUT
LOCK WASHER AND
FLAT WASHER



5/16 SS HEX NUT
AND FLAT WASHER

BRONZE CABLE CAP

TINNED BRONZE
CASTING

1/2 BRASS
SWIVEL

5/16 SS HEX
NUT AND
LOCK WASHER

5/16 S.S.
U-BOLT

TINNED COPPER PIPE RAIL BASE
3-1/2 TO 4" NOM. PIPE 1/2 A.T.

EST WT 1.32#

APPROVED

AS DRAWN: _____
 AS NOTED: _____
DATE: _____

THIS DOCUMENT AND THE CONTENTS THEREOF IS THE PROPERTY OF HARGER INC., AND IS FURNISHED TO YOU FOR INFORMATION ONLY. THE INFORMATION CONTAINED HEREIN IS CONFIDENTIAL AND OF A PROPRIETARY NATURE AND MUST NOT BE DISCLOSED TO THIRD PARTIES WITHOUT THE EXPRESS WRITTEN APPROVAL OF HARGER INC.

D	ADD PACKAGE NOTE	081604	EHS
C	RAW CASTING NOW TINNED	060502	WSM
B	ADDED ISSUE CUBS12AD	110300	LAL
A	LW5S WAS 2 PCS	051000	KAB
LET	REVISION	DATE	BY
TOLERANCES UNLESS NOTED:		3RD ANGLE PROJECTION	
FRACTIONAL +/- 1/16			
DECIMAL +/- .030			
REMOVE ALL BURRS/FLASH			

PART NO. CPRB3.5/4AT12
PIPE RAIL BASE

DRAWN BY:
KAB

CHECKED BY:

DATE:
021100



301 ZIEGLER DRIVE
GRAYSLAKE, IL 60030
(847) 548-8700

REVISION:
D
SCALE:
NTS
SHEET:
1 OF 1