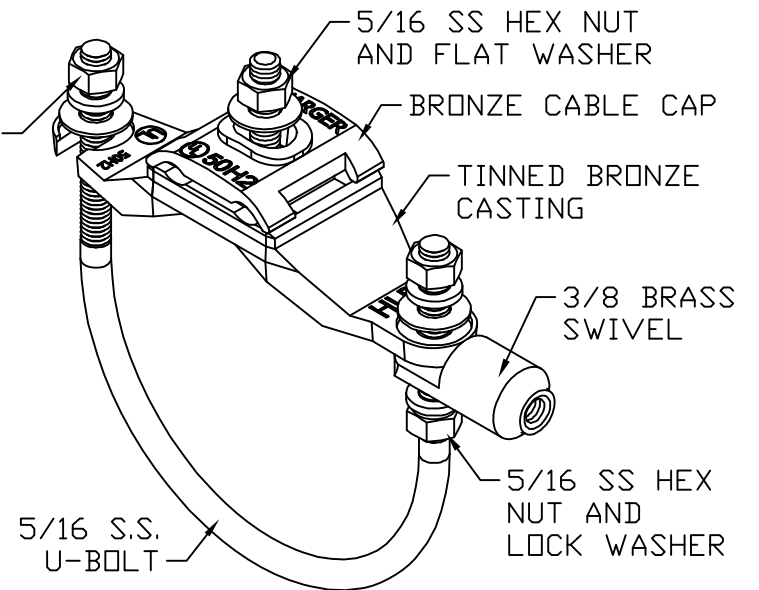


5/16 SS HEX NUT
LOCK WASHER AND
FLAT WASHER



5/16 SS HEX NUT
AND FLAT WASHER

BRONZE CABLE CAP

TINNED BRONZE
CASTING

3/8 BRASS
SWIVEL

5/16 SS HEX
NUT AND
LOCK WASHER

5/16 S.S.
U-BOLT

TINNED COPPER PIPE RAIL BASE
3-1/2 TO 4" NOM. PIPE 3/8 A.T.

EST WT 1.32#

APPROVED

AS DRAWN: _____
 AS NOTED: _____
DATE: _____

THIS DOCUMENT AND THE CONTENTS THEREOF IS THE PROPERTY OF HARGER INC., AND IS FURNISHED TO YOU FOR INFORMATION ONLY. THE INFORMATION CONTAINED HEREIN IS CONFIDENTIAL AND OF A PROPRIETARY NATURE AND MUST NOT BE DISCLOSED TO THIRD PARTIES WITHOUT THE EXPRESS WRITTEN APPROVAL OF HARGER INC.

| | | | |
|--------------------------|------------------------|----------------------|-----|
| D | WAS 136TOP | 010908 | DVB |
| C | RAW CASTING NOW TINNED | 040502 | WSM |
| B | ADDED ISSUE CUBS12AD | 110300 | LAL |
| A | LW5S WAS 2 PCS | 051000 | KAB |
| LET | REVISION | DATE | BY |
| TOLERANCES UNLESS NOTED: | | 3RD ANGLE PROJECTION | |
| FRACTIONAL +/- 1/16 | | | |
| DECIMAL +/- .030 | | | |
| REMOVE ALL BURRS/FLASH | | | |

PART NO. CPRB3.5/4AT38
PIPE RAIL BASE

DRAWN BY:
KAB
CHECKED BY:
KAB
DATE:
021100



301 ZIEGLER DRIVE
GRAYSLAKE, IL 60030
(847) 548-8700

REVISION:
D
SCALE:
NTS
SHEET:
1 OF 1