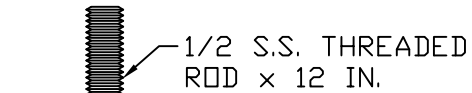


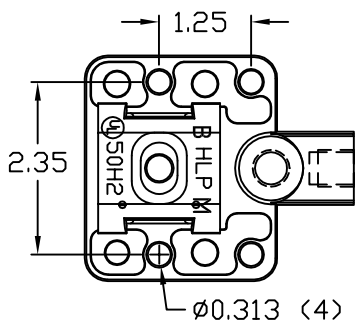
ABOVE ROOF KIT



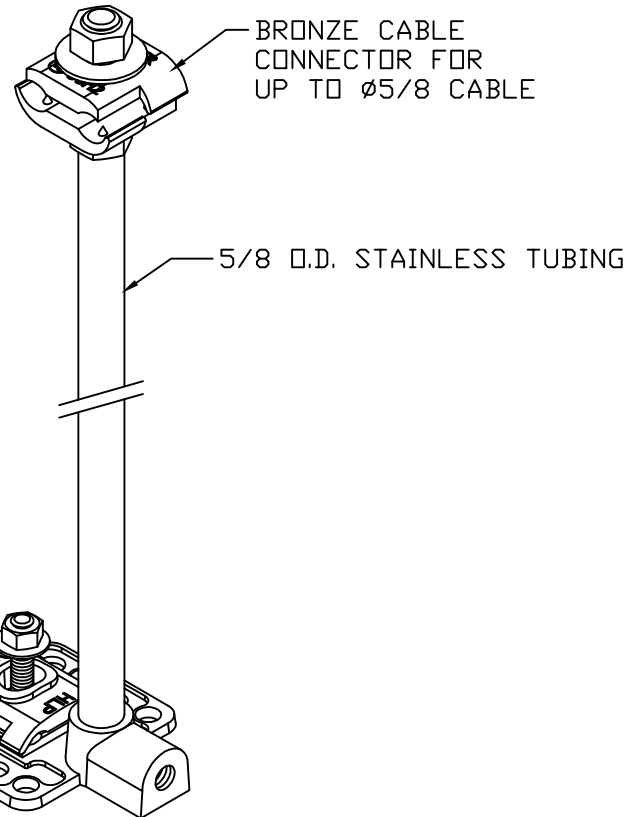
1/2 S.S. HEX NUT

9.5 IN.

5/16 S.S. HARDWARE



STAINLESS STEEL THRU ROOF
COPPER TO COPPER



BRONZE UNIVERSAL
BASE WITH CABLE
CONNECTOR FOR UP
TO 5/8 CABLE

ASSEMBLY VIEW FOR REFERENCE
SHIPS PARTIALLY ASSEMBLED

EST WT 1.9#

APPROVED

AS DRAWN: _____
 AS NOTED: _____
DATE: _____

THIS DOCUMENT AND THE CONTENTS THEREOF IS THE PROPERTY OF HARGER INC., AND IS FURNISHED TO YOU FOR INFORMATION ONLY. THE INFORMATION CONTAINED HEREIN IS CONFIDENTIAL AND OF A PROPRIETARY NATURE AND MUST NOT BE DISCLOSED TO THIRD PARTIES WITHOUT THE EXPRESS WRITTEN APPROVAL OF HARGER INC.

LET	REVISION	DATE	BY
TOLERANCES UNLESS NOTED:		3RD ANGLE PROJECTION	
FRACTIONAL	+/- 1/16		
.00	+/- .03		
.000	+/- .015		

PART NO. SSTRCCUBU12
S.S. THRU ROOF

DRAWN BY:
LAL
CHECKED BY:
-
DATE:
040214



301 ZIEGLER DRIVE
GRAYSLAKE, IL 60030
(847) 548-8700

REVISION:
-
SCALE:
3/8
SHEET:
1 OF 1