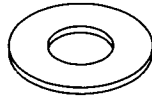
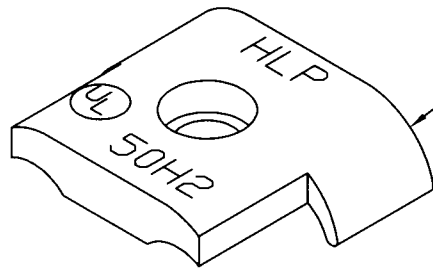




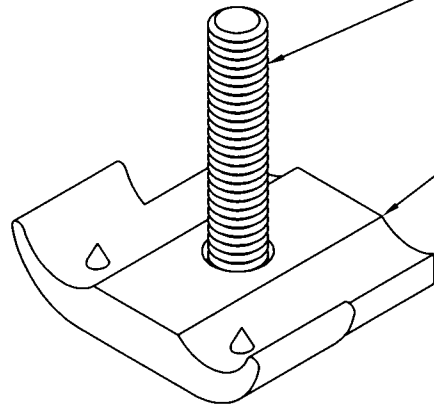
N518S (1)
SS HEX NUT



W5S (1)
SS FLAT WASHER



RA1BC
RAW CASTING



CS510S (1)
PRESSED INTO BOTTOM RA1BC

RA1BC
RAW CASTING

<p>THIS DOCUMENT AND THE CONTENTS THEREOF IS THE PROPERTY OF HARGER INC., AND IS FURNISHED TO YOU FOR INFORMATION ONLY. THE INFORMATION CONTAINED HEREIN IS CONFIDENTIAL AND OF A PROPRIETARY NATURE AND MUST NOT BE DISCLOSED TO THIRD PARTIES WITHOUT THE EXPRESS WRITTEN APPROVAL OF HARGER INC.</p>				PART NO. A1BC					
								REVISION: -	
								SCALE: NTS	
								SHEET: 1 OF 1	
LET	REVISION	DATE	BY	DRAWN BY: EHS		 301 ZIEGLER DRIVE GRAYSLAKE, IL 60030 (847) 548-8700			
TOLERANCES UNLESS NOTED:				CHECKED BY:					
FRACTIONAL +/- 1/64 .00 +/- .010 .000 +/- .005				DATE: 080502					