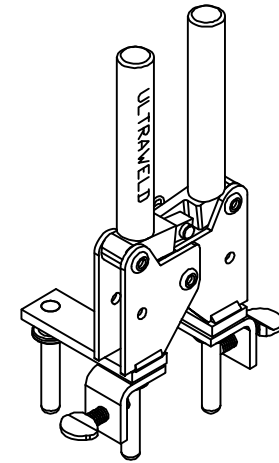
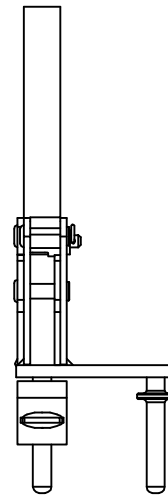
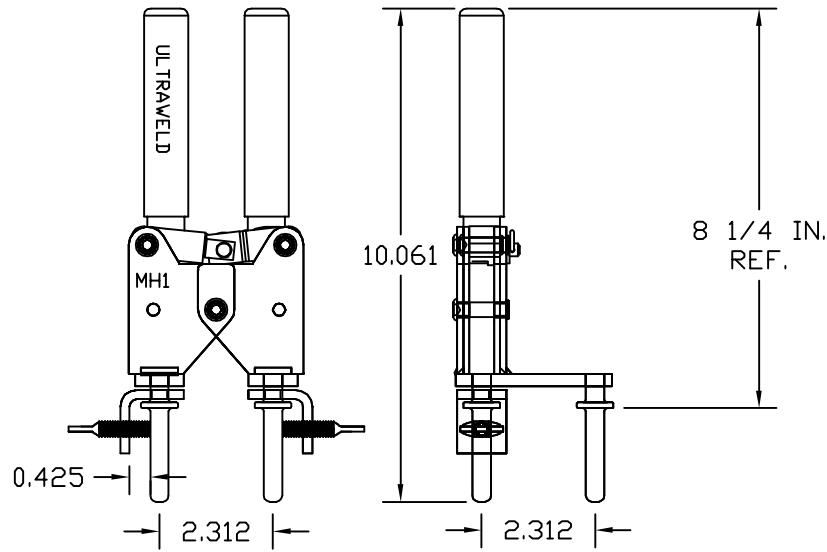


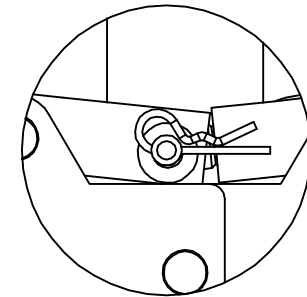
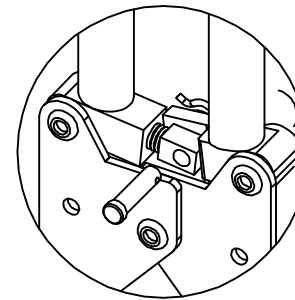
RIVETING DETAIL



PACKAGE 10 PCS PER 12 x 12 x 10 CARTON



ASSEMBLY DETAIL



EST. WT 3#

APPROVED

AS DRAWN: _____
 AS NOTED: _____
 DATE: _____

THIS DOCUMENT AND THE CONTENTS THEREOF IS THE PROPERTY OF HARGER INC., AND IS FURNISHED TO YOU FOR INFORMATION ONLY. THE INFORMATION CONTAINED HEREIN IS CONFIDENTIAL AND OF A PROPRIETARY NATURE AND MUST NOT BE DISCLOSED TO THIRD PARTIES WITHOUT THE EXPRESS WRITTEN APPROVAL OF HARGER INC.

E	ECO 0189 REMOVE IGN	052819	WBD
D	ENGRAVING ECO 0185	030819	WBD
C	HAIRPIN INSTALL ECO0067	010614	LAL
B	WAS RMHLHCAST & RH	122012	BK
A	3M 1099 WAS PLIOBOND	093011	BK
LEI	- REVISION	DATE	BY
TOLERANCES UNLESS NOTED:			
	FRACTIONAL	+/- 1/16	
	.00	+/- .030	
	.000	+/- .010	

PART NO. MH1

HARGER INC.

DRAWN BY:
BK
 CHECKED BY:
 DATE:
012306



301 ZIEGLER DRIVE
 GRAYSLAKE, IL 60030
 (847) 548-8700

REVISION:
E
 SCALE:
1/4
 SHEET:
1 OF 1