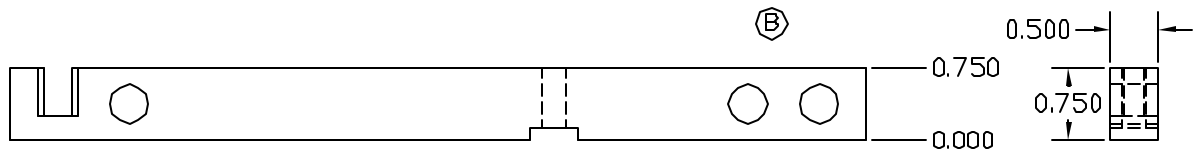
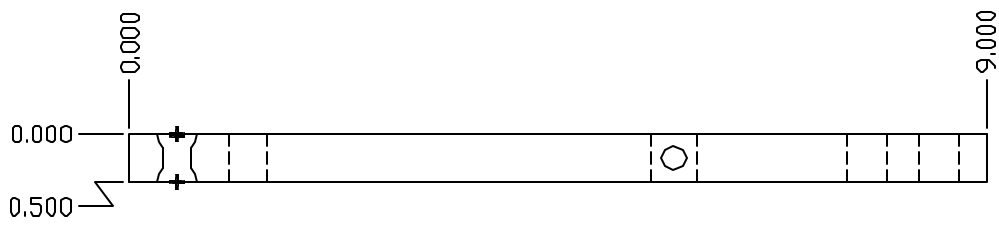
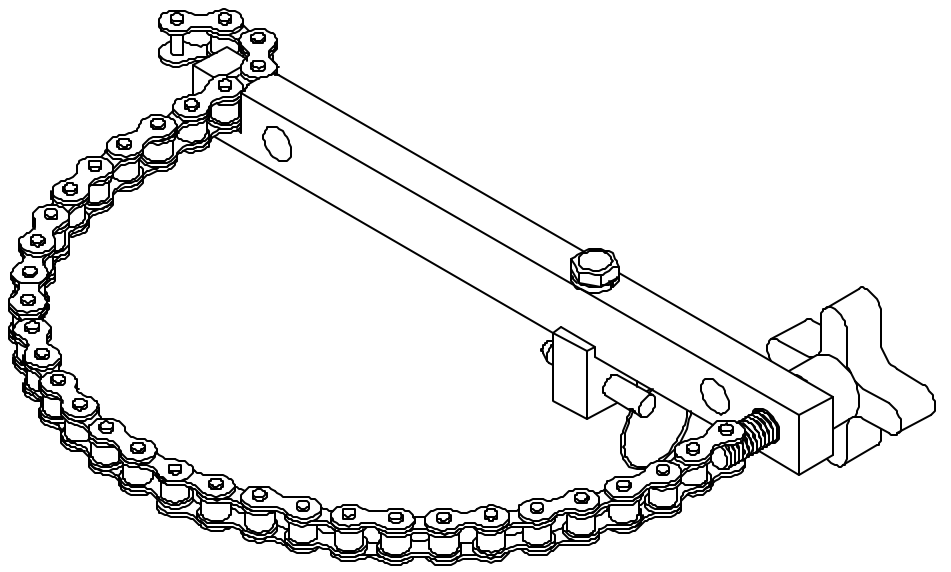


(A) (D)

EXTENSION
ZINC PLATE



(C) ARM
ZINC CLEAR
PLATE

APPROVED

THIS DOCUMENT AND THE CONTENTS THEREOF IS THE PROPERTY OF HARGER INC., AND IS FURNISHED TO YOU FOR INFORMATION ONLY. THE INFORMATION CONTAINED HEREIN IS CONFIDENTIAL AND OF A PROPRIETARY NATURE AND MUST NOT BE DISCLOSED TO THIRD PARTIES WITHOUT THE EXPRESS WRITTEN APPROVAL OF HARGER INC.

AS DRAWN: _____
 AS NOTED: _____
 DATE: _____

D	WAS +.005-0 ECO 0055	061213	LAL
C	ZINC CLEAR WAS ULTRASEAL	091806	DVB
B	ADDED .120/.125	010505	LAL
A	WAS .252	091504	LAL
LET	REVISION	DATE	BY
TOLERANCES UNLESS NOTED:			
	FRACTIONAL	+/-	1/16
	.00	+/-	.030
	.000	+/-	.010

PART NO. CSKITHSVM

DRAWN BY:
LAL
CHECKED BY:
DATE:
050704



REVISION:
D
SCALE:
1/2
SHEET:
1 OF 1