

GO-06-19-28-AC-ECP
 GO-06-19-50-AC-ST
 GO-06-19-50-AC-STB
 GO-10-19-28-AC-ECP
 GO-10-19-50-AC-ST



*Resistance
 Confidence
 Application anywhere*

FIT POOL OUTDOOR ENCLOSURE



- 100% galvanized structure
- Compact
- Equipment protection

MATERIAL

Minimized AISI -1020 galvanized steel.

SURFACE

Electrostatic painting epoxy powder.

Resistance to corrosion, stains and chemicals.

Supports high and low temperatures, UV rays and humidity.

Impact resistance.

Galvanized rails.

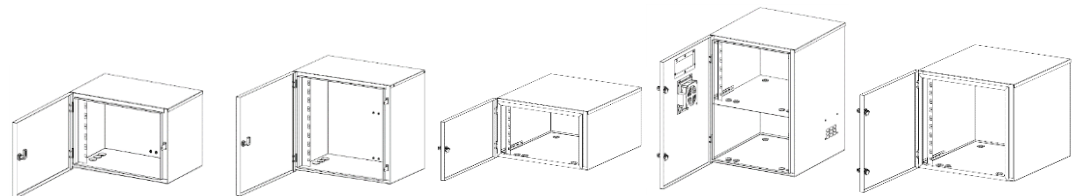
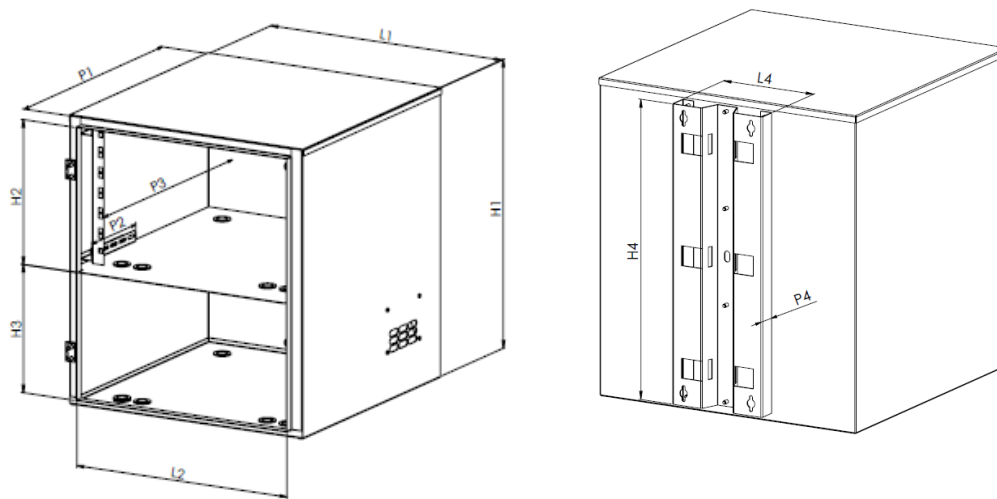
SCOPE OF SUPPLY

Designed according to IEC 6297-3-100 dimensions and mechanical structure of series 482.6 mm (19 ").

Outdoor product with automotive system seal on your door.

Lock, handle, bushing, nut and tongue injected in glass fiber reinforced polyamide with UV additive and black polyamide finish.

Present in models without battery compartment.



GO-06-19-28-AC-ECP

GO-10-19-28-AC-ECP

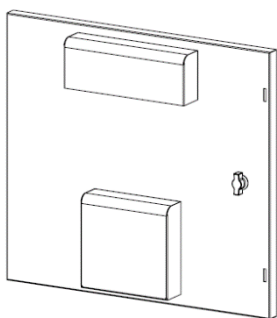
GO-06-19-50-AC-ST

GO-06-19-50-AC-STB

GO-10-19-50-AC-ST

	Poles	Poles	Poles	Poles/Wall	Poles
Fixation	Poles	Poles	Poles	Poles/Wall	Poles
Height (H1)	323mm	503mm	335mm	635mm	515mm
Depth (P1)	340mm	340mm	590mm	590mm	590mm
Width (L1)	555mm	555mm	570mm	570mm	570mm
Useful height of equipment compartment (H2)	320mm	500mm	330mm	335mm	510mm
Useful height of the battery compartment (H3)	-	-	-	295mm	-
Rail adjustment depth (P2)	Fixed	Fixed	175mm	175mm	175mm
Internal depth (P3)	260mm	260mm	545mm	545mm	545mm
Useful door width (L2)	490mm	490mm	510mm	510mm	510mm
Mounting hardware height (H4)	295mm	478mm	295mm	600mm	478mm
Mounting hardware width (L4)	70mm	70mm	70mm	200mm	70mm
Mounting hardware depth (P4)	45mm	45mm	45mm	45mm	45mm
Venting system	Optional	Optional	Optional	Yes	Optional
Volume	60L	94L	112L	194L	175L
Weight	12,5Kg	20kg	21kg	33kg	29kg
Volume with package	0,11m ³	0,16m ³	0,19m ³	0,32m ³	0,27m ³
Weight with package	16kg	24kg	25kg	37kg	33kg
Package size	0,41x0,45x0,60m	0,60x0,45x0,60m	0,42x0,63x0,71m	0,72x0,63x0,71m	0,60x0,63x0,71m

OPTIONALS



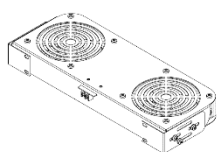
Venting system. *



Top cover.



Tray.



Forced Ventilation. **



Cable organizer. **

* Only models: GO-06-19-28-AC-ECP, GO-10-19-28-AC-ECP, GO-06-19-50-AC-ST, GO-10-19-50-AC-ST.

** Only model: GO-06-19-50-AC-STB, GO-06-19-50-AC-ST, GO-10-19-50-AC-ST.



+55 54 3201.1903 | algcom@algcom.com.br

Rua: Ernesto Zanrosso, 3440 | Caxias do Sul - RS | Brasil | www.algcom.com.br

