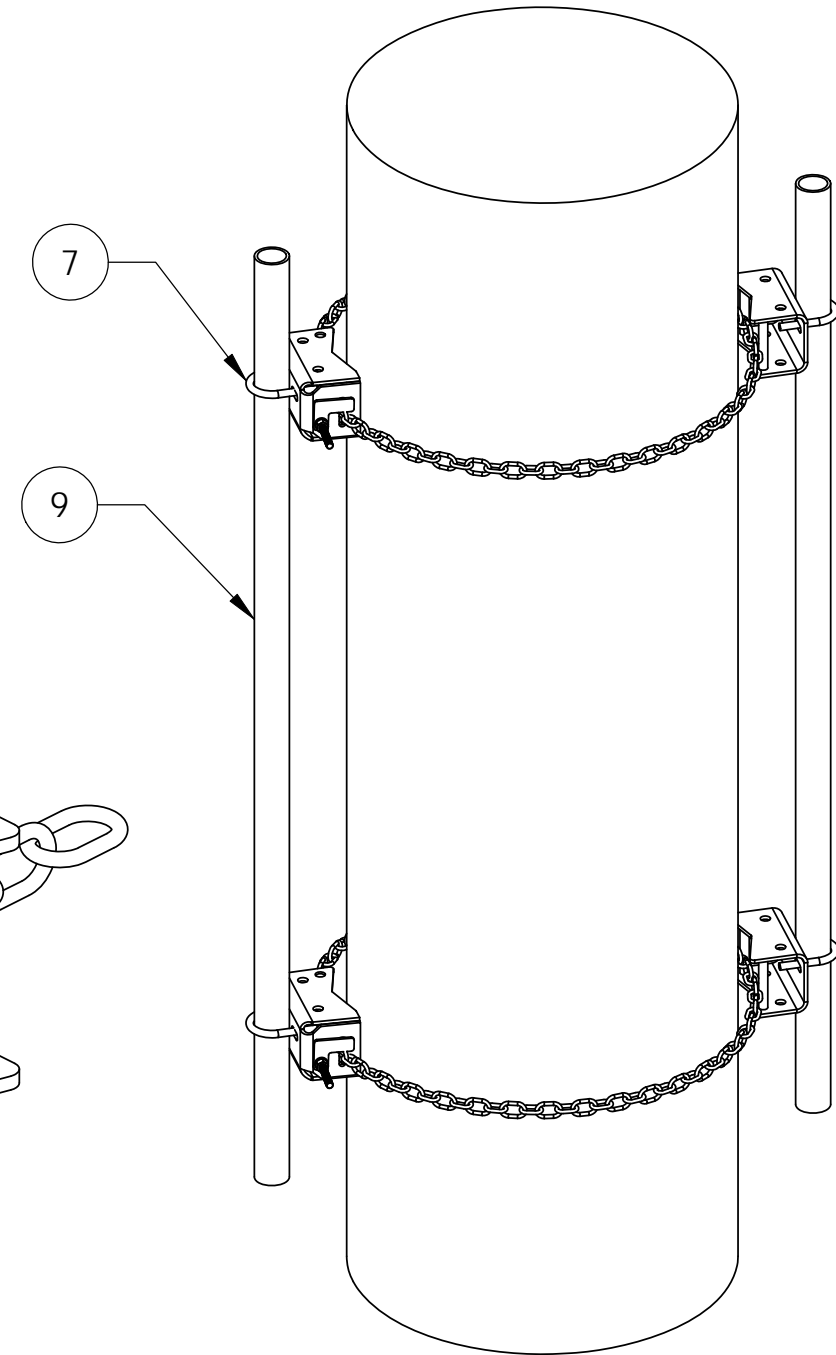
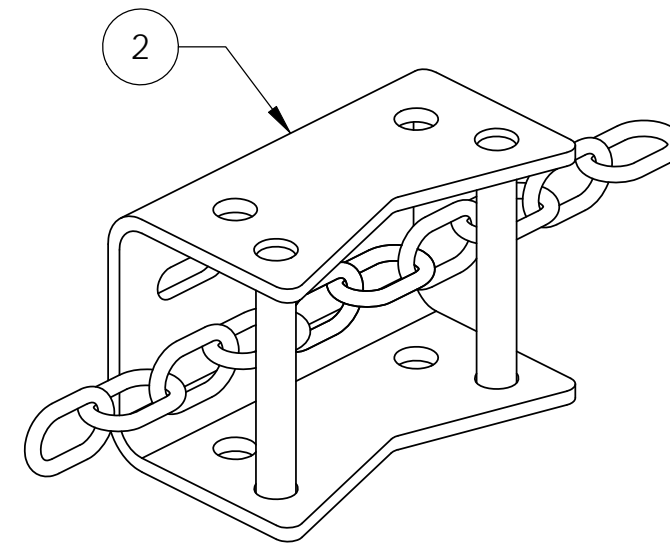
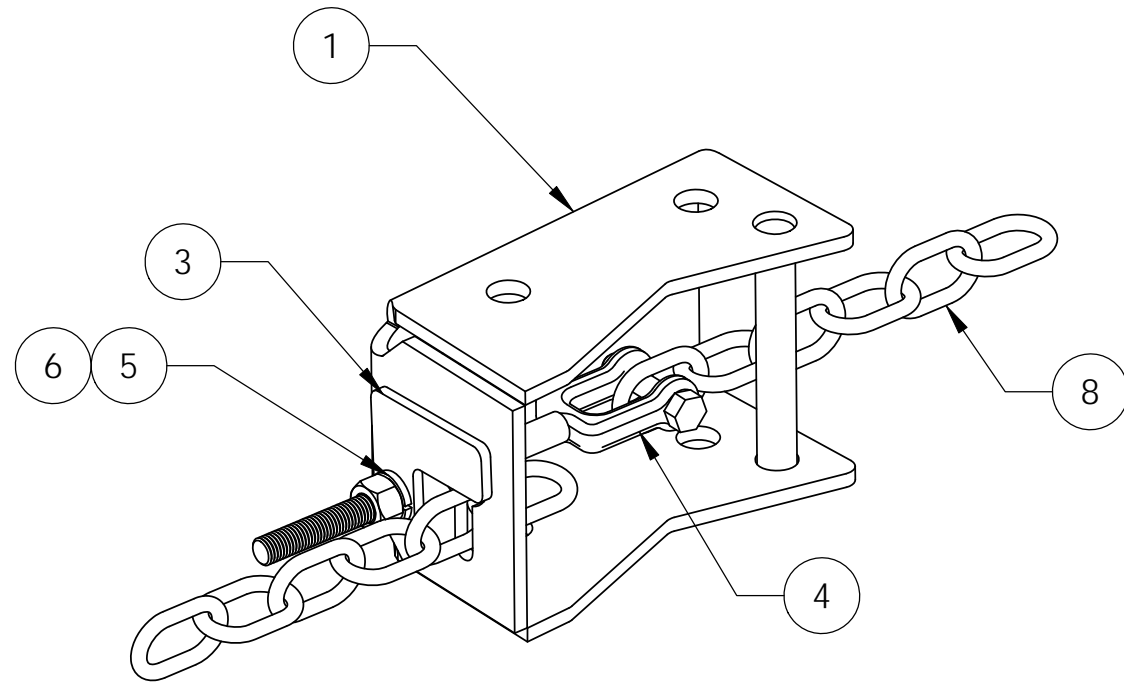


ITEM	PART NO.	DESCRIPTION	QTY.	WEIGHT
1	CM01	Chain Mount Anchor	2	6.17 LBS
2	CM.02	CHAINMOUNT SLIDER	2	5.34 LBS
3	CM.03	CHAIN LOCK	2	0.20 LBS
4	CM.04	1/2" X 6" Under Jaw Turnbuckle	2	0.68 LBS
5	GWL-04	1/2" GALV LOCK WASHER	2	0.01 LBS
6	GN-04	1/2" GALV HEX NUT	2	0.02 LBS
7	GUB-4240	1/2" X 2-1/2" X 4" GALV U-BOLT	4	0.72 LBS
8	G-4-XXX	CHAIN (SEE TABLE)	2	
9	MT-XXX	Ø 2-3/8" O.D. PIPE (SEE TABLE)	-	


REVISIONS				
REV.	ZONE	DESCRIPTION	BY	DATE
A		INITIAL RELEASE	AW	12/14/04
B		UPDATE BOM	ACG	03/12/09

PART NUMBER	WEIGHT	PIPE MOUNT	QTY	CHAIN	CHAIN LENGTH
CM-30D-B	38.76	NONE	0	G4-0-96	8ft
CM-30D-72	80.76	MT-651	2	G4-0-96	8ft
CM-30D-96	105.76	MT-651-96	2	G4-0-96	8ft
CM-60D-B	50.76	NONE	0	G4-0-192	16ft
CM-60D-72	92.76	MT-651	2	G4-0-192	16ft
CM-60D-96	117.76	MT-651-96	2	G4-0-192	16ft



NOTES:

- ATTACH THE PIPES OR PIPE MOUNTS TO THE BRACKETS PRIOR TO ADDING THE JAW-BOLT/CHAIN ASSEMBLY

<small>These drawings and specifications are the proprietary property of ANDREW CORPORATION and may be used only for the specific purpose authorized in writing by Andrew Corporation.</small> ALL DIMENSIONS ARE IN INCHES U.O.S. TOLERANCES UNLESS OTHERWISE SPECIFIED: .X = .12 ANGLES 2' .XX = .06 FRACTIONS 1/32 .XXX = .003 REMOVE BURRS AND BREAK EDGES .005 DO NOT SCALE THIS PRINT	DRAWN BY: AW	SHEET: 1 of 1	PART NUMBER: CM-D SERIES
	CHECKED BY: TP	SCALE: NTS	DESCRIPTION: DOUBLE CHAIN MOUNT
	DATE: 12/14/04	MATERIAL: A36, A53	DRAWING TYPE: ASSEMBLY DRAWING
	REVISION: B	FINISH: GALV A123	
	WEIGHT: SEE TABLE		ORLAND PARK, IL. 60462 U.S.A.