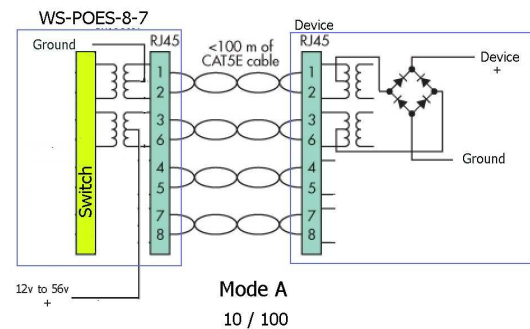
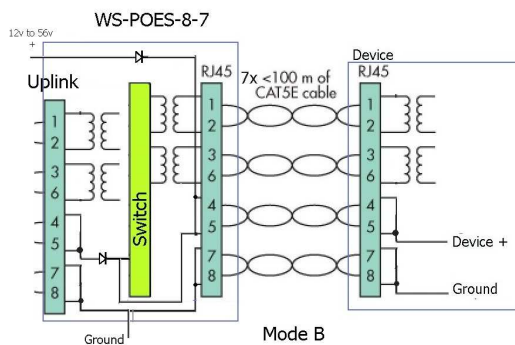


WiFi-Texas.com Inc
815-A Brazos #326
Austin Tx, 78701
512-479-0317



WS-POES-8-7

8 Port switch with 7 PoE outputs



- 8 port 10/100 Ethernet Switch, vlan transparent, unmanaged
- 7 Data out ports with passive PoE, Mode A and/or Mode B
- 1 Data input "uplink" port
- Hi speed switching – uses proven IP178G switch IC – low power, under 2 watts
See <http://www.icplus.com.tw/pp-IP178G.html>
- All 8 ports have shielded RJ-45 connectors
- 2x 650 ma self resetting fuse / current limiter per port
- External power supply inputs – 11v to 56v
use 48v and mode A for IP phones and IP Cameras
use 24v and mode B for Mikrotik and Ubiquiti and OM2P
- PoE Repeater mode – the uplink port can also be PoE in with 30 watts
use a WS-POE-1-WM to inject remote power to the uplink port
- 3 power supply inputs
 - 2 x 2.1mm DC input plug in back (Mode A and Mode B)
 - Power via uplink RJ-45 PoE in + Data
- Compact size = 175 x 82 x 28 mm (plus mounting tabs 2 x 9 x 82 mm). Rack mount optional

Power Supply Options

Application	Suggested Mode	Volts	Watts total	Amps total
802.3at	A and B	56	120 or 60 or 30	2 or 1 or .5
802.3af	A	48	120 or 60 or 30	2.5 or 1.25 or .625
Ubiquiti or Mikrotik	B	24	120 or 60 or 30	5 or 2.5 or 1.25
OpenMesh	24v = B 48v = A	18 or 24 or 48	60 or 30	3.3 or 2.5 or 1.25
Routers or Foscam 12 volt WS-POE-12v	B	24	120 or 60	5 or 2.5
USB or Foscam 5 volt WS-POE-5v	B	24	120 or 60	5 or 2.5

URL: <http://wifi-texas.com/> Skype:wifiqos